

Series 1700

Consolidated* Safety Valve



Contents

| | |
|--|----|
| Scope of Design..... | 2 |
| Materials..... | 8 |
| Dimensions and Weights (USCS) | 19 |
| Dimensions & Weights (Metric) | 26 |
| Pressure/Temperature (USCS) | 32 |
| Pressure/Temperature (USCS) Alternate..... | 37 |
| Orifice Capacities | 42 |
| Hydrostatic Test Plugs..... | 67 |

Scope of Design

Example

Flanged inlet safety valve, ASME Code Section I. Application. Set pressure 1000 psig, temperature 900°F, required relieving capacity 94,900 lbs./hr.= valve type number 17???-2-S.

1. Refer to capacity table on page 1700.45 for ASME Code Section I Saturated Steam. At 1000 psig set pressure, select a #3 orifice with a saturated capacity of 120,221 lbs./hr. = valve type number 173??-2-S.
2. Correct for superheat using table on page 1700.66 for superheat correction factor at 3% overpressure. At 1044.7 psia and 900°F, multiply saturated capacity 120,221 lbs./hr. by correction factor .797 = 95,923 lbs./hr.
3. Verify pressure and temperature requirements on page 1700.33 for ASME Section I, ASME B16.34. At 1000 psig, 900°F and a #3 orifice, locate the D temperature class and select the 900 class valve with 900# inlet flange and a 150# outlet flange = valve type number 1736 D-2-S.
4. Locate the valve type in the appropriate scope of design section page 1700.3 and the configuration code on page GI.21. Complete the valve selection = valve type number 1736D-2-S-I9-F1.
5. Review the required weights, dimensions, materials and connections on page 1700.9 and 1700.20.

Subcritical & Supercritical Steam Service

| | | | | Valve Sizes | | | | | | | | | | End Connections | | |
|----------------|---------------------|-----------|-------------|----------------------|--------|--------|--------|--------|--------|--------|--------|-------|--------|-----------------|-------------------------------------|------------------------------|
| | | | | 1-1/2" | 2" | 2-1/2" | 3" | 3" | 4" | 4" | 6" | 6" | 6" | | | 6" |
| Pressure Class | Temperature Limits | | Temp. Class | Orifice Area Sq. In. | | | | | | | | | | Inlet | Outlet | |
| | Degrees F | Degrees C | | 0.994 | 1.431 | 2.545 | 3.341 | 3.976 | 7.07 | 12.25 | 11.05 | 14.18 | 16.00 | | | 19.29 |
| | Orifice Designation | | | | | | | | | | | | | | | |
| | | | | 1 | 2 | 3 | 5 | 4 | 6 | Q | Q | 8 | R | RR | | |
| 600 | 750° | 399° | B | 1715B | 1725B | 1735B | 1755B | 174B5 | 1765B | 1775QB | 1775QB | 1785B | 1705RB | 1705RRB | Class 600 raised face or butt weld | Class 150 or 300 raised face |
| | 1020° | 549° | D | 1715D | 1725D | 1735D | 1755D | 1745D | 1765D | 1775QD | 1775QD | 1785D | 1705RD | 1705RRD | | |
| | 1060° | 571° | E | 1715E | 1725E | 1735E | 1755E | 1745E | 1765E | 1775QE | 1775QE | 1785E | 1705RE | 1705RRE | | |
| | 1100° | 593° | F | | | | | | 1765F | 1775F | 1775F | 1785F | | | | |
| | 1120° | 604° | G | | | | | | 1765G | 1775G | 1775G | 1785G | | | | |
| 900 | 750° | 399° | B | 1716B | 1726B | 1736B | 1756B | 1746B | 1766B | 1776QB | 1776QB | 1786B | 1706RB | 1706RRB | Class 900 raised face or butt weld | Class 150 or 300 raised face |
| | 1020° | 549° | D | 1716D | 1726D | 1736D | 1756D | 1746D | 1766D | 1776QD | 1776QD | 1786D | 1706RD | 1706RRD | | |
| | 1060° | 571° | E | 1716E | 1726E | 1736E | 1756E | 1746E | 1766E | 1776QE | 1776QE | 1786E | 1706RE | 1706RRE | | |
| | 1100° | 593° | F | | | | | | 1766F | 1776F | 1776F | 1786F | | | | |
| | 1120° | 604° | G | | | | | | 1766G | 1776G | 1776G | 1786G | | | | |
| 1500 | 750° | 399° | B | 1717B | 1727B | 1737B | 1757B | 1747B | 1767B | | 1777QB | 1787B | 1707RB | 1707RRB | Class 1500 raised face or butt weld | Class 300 raised face |
| | 1020° | 549° | D | 1717D | 1727D | 1737D | 1757D | 1747D | 1767D | | 1777QD | 1787D | 1707RD | 1707RRD | | |
| | 1060° | 571° | E | 1717E | 1727E | 1737E | 1757E | 1747E | 1767E | | 1777QE | 1787E | 1707RE | 1707RRE | | |
| | 1100° | 593° | F | | | | | | 1767F | | | | | | | |
| | 1120° | 604° | G | | | | | | 1767G | | | | | | | |
| 2500 | 750° | 399° | B | 1719B | 1729B | 1739B | 1759B | 1749B | | | | | | | Class 2500 raised face or butt weld | Class 300 raised face |
| | 1020° | 549° | D | 1719D | 1729D | 1739D | 1759D | 1749D | | | | | | | | |
| | 1060° | 571° | E | 1719E | 1729E | 1739E | 1759E | 1749E | | | | | | | | |
| | 1100° | 593° | F | 1719F | 1729F | 1739F | 1759F | 1749F | | | | | | | | |
| | 1120° | 604° | G | 1719G | 1729G | 1739G | 1759G | 1749G | | | | | | | | |
| 3000 | 750° | 399° | B | 1710WB | 1720WB | 1730WB | 1750WB | 1740WB | 1760WB | | | | | | Class 3000 butt weld | Class 300 raised face |
| | 1020° | 549° | D | 1710WD | 1720WD | 1730WD | 1750WD | 1740WD | 1760WD | | | | | | | |
| | 1060° | 571° | E | 1710WE | 1720WE | 1730WE | 1750WE | 1740WE | 1760WE | | | | | | | |
| | 1100° | 593° | F | 1710WF | 1720WF | 1730WF | 1750WF | 1740WF | | | | | | | | |
| | 1120° | 604° | G | 1710WG | 1720WG | 1730WG | 1750WG | 1740WG | | | | | | | | |
| 4500 | 750° | 399° | B | 1713WB | 1723WB | 1733WB | 1753WB | 1743WB | | | | | | | Class 4500 butt weld | Class 300 raised face |
| | 1020° | 549° | D | 1713WD | 1723WD | 1733WD | 1753WD | 1743WD | | | | | | | | |
| | 1060° | 571° | E | 1713WE | 1723WE | 1733WE | 1753WE | 1743WE | | | | | | | | |

Scope of Design (Contd.)

Flanged Inlet – Type 17_5, class 600

| Inlet (Notes 3 & 5) ANSI Std. R.F. Flange | | Outlet (Note 2) ANSI Std. R.F. Flange | | Type Numbers Maximum Temperature (Note 1) | | | Orifice | | Designation |
|--|-------|--|-------|---|----------------|----------------|-----------------|-----------------|-------------|
| Size | Class | Size | Class | 750°F (399°C) | 1020°F (549°C) | 1060°F (571°C) | Discharge Area | | |
| | | | | | | | in ² | cm ² | |
| 1-1/2" | 600 | 3" | 150 | 1715B | 1715D | 1715E | .994 | 6.413 | 1 |
| 2" | 600 | 3" | 150 | 1725B | 1725D | 1725E | 1.431 | 9.232 | 2 |
| 2-1/2" | 600 | 6" | 150 | 1735B | 1735D | 1735E | 2.545 | 16.420 | 3 |
| 3" | 600 | 6" | 150 | 1755B | 1755D | 1755E | 3.341 | 21.556 | 5 |
| 3" | 600 | 6" | 150 | 1745B | 1745D | 1745E | 3.976 | 25.653 | 4 |
| 4" | 600 | 6" | 150 | 1765B | 1765D | 1765E | 7.070 | 45.616 | 6 |
| 4" | 600 | 8" | 150 | 1775QB | 1775QD | 1775QE | 12.25 | 79.037 | Q |
| 6" | 600 | 8" | 150 | 1775QB | 1775QD | 1775QE | 11.050 | 71.295 | Q |
| 6" | 600 | 8" | 150 | 1785B | 1785D | 1785E | 14.180 | 91.489 | 8 |
| 6" | 600 | 8" | 150 | 1705RB | 1705RD | 1705RE | 16.000 | 103.232 | R |
| 6" | 600 | 8" | 150 | 1705RRB | 1705RRD | 1705RRE | 19.29 | 124.459 | RR |

Flanged Inlet – Type 17_6, class 900

| Inlet (Notes 4 & 5) ANSI Std. R.F. Flange | | Outlet (Note 2) ANSI Std. R.F. Flange | | Type Numbers Maximum Temperature (Note 1) | | | Orifice | | Designation |
|--|-------|--|-------|---|----------------|----------------|-----------------|-----------------|-------------|
| Size | Class | Size | Class | 750°F (399°C) | 1020°F (549°C) | 1060°F (571°C) | Discharge Area | | |
| | | | | | | | in ² | cm ² | |
| 1-1/2" | 900 | 3" | 150 | 1716B | 1716D | 1716E | .994 | 6.413 | 1 |
| 2" | 900 | 3" | 150 | 1726B | 1726D | 1726E | 1.431 | 9.232 | 2 |
| 2-1/2" | 900 | 6" | 150 | 1736B | 1736D | 1736E | 2.545 | 16.420 | 3 |
| 3" | 900 | 6" | 150 | 1756B | 1756D | 1756E | 3.341 | 21.556 | 5 |
| 3" | 900 | 6" | 150 | 1746B | 1746D | 1746E | 3.976 | 25.653 | 4 |
| 4" | 900 | 6" | 150 | 1766B | 1766D | 1766E | 7.070 | 45.616 | 6 |
| 4" | 900 | 8" | 150 | 1776QB | 1776QD | 1776QE | 12.25 | 79.037 | Q |
| 6" | 900 | 8" | 150 | 1776QB | 1776QD | 1776QE | 11.050 | 71.295 | Q |
| 6" | 900 | 10" | 150 | 1786B-HP | 1786D-HP | 1786E-HP | 14.180 | 91.489 | 8 |
| 6" | 900 | 10" | 150 | 1706RB-HP | 1706RD-HP | 1706RE-HP | 16.000 | 103.232 | R |
| 6" | 900 | 10" | 150 | 1706RRB-HP | 1706RRD-HP | 1706RRE-HP | 19.29 | 124.459 | RR |

Notes:

1. To determine the maximum allowable pressure at a given temperature refer to the appropriate pressure/temperature table.
2. Available in an ANSI Class 300 outlet flange.
3. For replacement valves only and on application, available in an ANSI Class 900 inlet flange.
4. For replacement valves and on application, available in an ANSI Class 1500 inlet flange.
5. Available with ANSI B16.5 inlet flange facings. See page GI.21 for selections.

Scope of Design (Contd.)

Flanged Inlet – Type 17_7, class 1500

| Inlet (Notes 3 & 4) ANSI Std. R.F. Flange | | Outlet (Note 2) ANSI Std. R.F. Flange | | Type Numbers Maximum Temperature (Note 1) | | | Orifice | | Designation |
|--|-------|--|-------|---|-------------------|-------------------|-----------------|-----------------|-------------|
| Size | Class | Size | Class | 750°F (399°C) | 1020°F (549°C) | 1060°F (571°C) | in ² | cm ² | |
| 1-1/2" | 1500 | 3" | 150 | 1717B | 1717D | 1717E | .994 | 6.413 | 1 |
| 2" | 1500 | 3" | 150 | 1727B | 1727D | 1727E | 1.431 | 9.232 | 2 |
| 2-1/2" | 1500 | 6" | 150 | 1737B | 1737D | 1737E | 2.545 | 16.420 | 3 |
| 3" | 1500 | 6" | 150 | 1757B | 1757D | 1757E | 3.341 | 21.556 | 5 |
| 3" | 1500 | 6" | 150 | 1747B | 1747D | 1747E | 3.976 | 25.653 | 4 |
| 4" | 1500 | 6" | 150 | 1767B | 1767D | 1767E | 7.070 | 45.616 | 6 |
| 6" | 1500 | 8" | 150 | 1777QB | 1777QD | 1777QE | 11.050 | 71.295 | Q |
| 6" | 1500 | 10" | 150 | 1787B | 1787D | 1787E | 14.180 | 91.489 | 8 |
| 6" | 1500 | 10" | 150 | 1707RB | 1707RD | 1707RE | 16.000 | 103.232 | R |
| 6" | 1500 | 10" | 150 | 1707RRB | 1707RRD | 1707RRE | 19.29 | 124.459 | RR |

Flanged Inlet – Type 17_9, class 2500

| Inlet (Note 4) ANSI Std. R.F. Flange | | Outlet ANSI Std. R.F. Flange | | Type Numbers Maximum Temperature (Note 1) | | | Orifice | | Designation |
|---|-------|---------------------------------|-------|---|-------------------|-------------------|-----------------|-----------------|-------------|
| Size | Class | Size | Class | 750°F (399°C) | 1020°F (549°C) | 1060°F (571°C) | in ² | cm ² | |
| 1-1/2" | 2500 | 4" | 300 | 1719B | 1719D | 1719E | .994 | 6.413 | 1 |
| 2" | 2500 | 4" | 300 | 1729B | 1729D | 1729E | 1.431 | 9.232 | 2 |
| 2-1/2" | 2500 | 6" | 300 | 1739B | 1739D | 1739E | 2.545 | 16.420 | 3 |
| 3" | 2500 | 6" | 300 | 1759B | 1759D | 1759E | 3.341 | 21.556 | 5 |
| 3" | 2500 | 6" | 300 | 1749B | 1749D | 1749E | 3.976 | 25.653 | 4 |

Notes:

1. To determine the maximum allowable pressure at a given temperature refer to the appropriate pressure/temperature table.
2. Available in an ANSI Class 300 outlet flange.
3. For replacement valves and on application, available in an ANSI Class 2500 inlet flange.
4. Available with ANSI B16.5 inlet flange facings. See page GI.21 for selections.

Scope of Design (Contd.)

Welded Inlet – Type 17_5W, class 600

| Inlet Butt weld | | Outlet (Note 2) ANSI Std. R.F. Flange | | Type Numbers Maximum Temperature (Note 1) | | | Orifice | | Designation |
|-----------------|-------|--|-------|---|-------------------|-------------------|-----------------|-----------------|-------------|
| Size | Class | Size | Class | 750°F (399°C) | 1020°F (549°C) | 1060°F (571°C) | in ² | cm ² | |
| 1-1/2" | 600 | 3" | 150 | 1715WB | 1715WD | 1715WE | .994 | 6.413 | 1 |
| 2" | 600 | 3" | 150 | 1725WB | 1725WD | 1725WE | 1.431 | 9.232 | 2 |
| 2-1/2" | 600 | 6" | 150 | 1735WB | 1735WD | 1735WE | 2.545 | 16.420 | 3 |
| 3" | 600 | 6" | 150 | 1755WB | 1755WD | 1755WE | 3.341 | 21.556 | 4 |
| 3" | 600 | 6" | 150 | 1745WB | 1745WD | 1745WE | 3.976 | 25.653 | 5 |
| 4" | 600 | 6" | 150 | 1765WB | 1765WD | 1765WE | 7.070 | 45.616 | 6 |
| 4" | 600 | 8" | 150 | 1775QWB | 1775QWD | 1775QWE | 12.25 | 79.037 | Q |
| 6" | 600 | 8" | 150 | 1775QWB | 1775QWD | 1775QWE | 11.050 | 71.295 | Q |
| 6" | 600 | 8" | 150 | 1785WB | 1785WD | 1785WE | 14.180 | 91.489 | 8 |
| 6" | 600 | 8" | 150 | 1705RWB | 1705RWD | 1705RWE | 16.000 | 103.232 | R |
| 6" | 600 | 8" | 150 | 1705RRWB | 1705RRWD | 1705RRWE | 19.29 | 124.459 | RR |

Welded Inlet – Type 17_6W, class 900

| Inlet Butt weld | | Outlet (Note 2) ANSI Std. R.F. Flange | | Type Numbers Maximum Temperature (Note 1) | | | Orifice | | Designation |
|-----------------|-------|--|-------|---|-------------------|-------------------|-----------------|-----------------|-------------|
| Size | Class | Size | Class | 750°F (399°C) | 1020°F (549°C) | 1060°F (571°C) | in ² | cm ² | |
| 1-1/2" | 900 | 3" | 150 | 1716WB | 1716WD | 1716WE | .994 | 6.413 | 1 |
| 2" | 900 | 3" | 150 | 1726WB | 1726WD | 1726WE | 1.431 | 9.232 | 2 |
| 2-1/2" | 900 | 6" | 150 | 1736WB | 1736WD | 1736WE | 2.545 | 16.420 | 3 |
| 3" | 900 | 6" | 150 | 1756WB | 1756WD | 1756WE | 3.341 | 21.556 | 4 |
| 3" | 900 | 6" | 150 | 1746WB | 1746WD | 1746WE | 3.976 | 25.653 | 5 |
| 4" | 900 | 6" | 150 | 1766WB | 1766WD | 1766WE | 7.070 | 45.616 | 6 |
| 4" | 900 | 8" | 150 | 1776QWB | 1776QWD | 1776QWE | 12.25 | 79.037 | Q |
| 6" | 900 | 8" | 150 | 1776QWB | 1776QWD | 1776QWE | 11.050 | 71.295 | Q |
| 6" | 900 | 10" | 150 | 1786WB-HP | 1786WD | 1786WE | 14.180 | 91.489 | 8 |
| 6" | 900 | 10" | 150 | 1706RWB-HP | 1706RWD | 1706RWE | 16.000 | 103.232 | R |
| 6" | 900 | 10" | 150 | 1706RRWB-HP | 1706RRWD | 1706RRWE | 19.29 | 124.459 | RR |

Notes:

1. To determine the maximum allowable pressure at a given temperature refer to the appropriate pressure/temperature table.
2. Available in an ANSI Class 300 outlet flange.

Scope of Design (Contd.)

Welded Inlet – Type 17_7W, class 1500

| Inlet Buttweld | | Outlet (Note 2) ANSI Std. R.F. Flange | | Type Numbers Maximum Temperature (Note 1) | | | Orifice | | Designation |
|----------------|-------|--|-------|---|-------------------|-------------------|-----------------|-----------------|-------------|
| | | | | | | | Discharge Area | | |
| Size | Class | Size | Class | 750°F (399°C) | 1020°F (549°C) | 1060°F (571°C) | in ² | cm ² | |
| 1-1/2" | 1500 | 3" | 150 | 1717WB | 1717WD | 1717WE | .994 | 6.413 | 1 |
| 2" | 1500 | 3" | 150 | 1727WB | 1727WD | 1727WE | 1.431 | 9.232 | 2 |
| 2-1/2" | 1500 | 6" | 150 | 1737WB | 1737WD | 1737WE | 2.545 | 16.420 | 3 |
| 3" | 1500 | 6" | 150 | 1757WB | 1757WD | 1757WE | 3.341 | 21.556 | 5 |
| 3" | 1500 | 6" | 150 | 1747WB | 1747WD | 1747WE | 3.976 | 25.653 | 4 |
| 4" | 1500 | 6" | 150 | 1767WB | 1767WD | 1767WE | 7.070 | 45.616 | 6 |
| 6" | 1500 | 8" | 150 | 1777QWB | 1777QWD | 1777QWE | 11.050 | 71.295 | Q |
| 6" | 1500 | 10" | 150 | 1787WB | 1787WD | 1787WE | 14.180 | 91.489 | 8 |
| 6" | 1500 | 10" | 150 | 1707RWB | 1707RWD | 1707RWE | 16.000 | 103.232 | R |
| 6" | 1500 | 10" | 150 | 1707RRWB | 1707RRWD | 1707RRWE | 19.29 | 124.459 | RR |

Welded Inlet – Type 17_9W, class 2500

| Inlet Buttweld | | Outlet ANSI Std. R.F. Flange | | Type Numbers Maximum Temperature (Note 1) | | | Orifice | | Designation |
|----------------|-------|---------------------------------|-------|---|-------------------|-------------------|-----------------|-----------------|-------------|
| | | | | | | | Discharge Area | | |
| Size | Class | Size | Class | 750°F (399°C) | 1020°F (549°C) | 1060°F (571°C) | in ² | cm ² | |
| 1-1/2" | 2500 | 4" | 300 | 1719B | 1719D | 1719E | .994 | 6.413 | 1 |
| 2" | 2500 | 4" | 300 | 1729B | 1729D | 1729E | 1.431 | 9.232 | 2 |
| 2-1/2" | 2500 | 6" | 300 | 1739B | 1739D | 1739E | 2.545 | 16.420 | 3 |
| 3" | 2500 | 6" | 300 | 1759B | 1759D | 1759E | 3.341 | 21.556 | 5 |
| 3" | 2500 | 6" | 300 | 1749B | 1749D | 1749E | 3.976 | 25.653 | 4 |

Notes:

1. To determine the maximum allowable pressure at a given temperature refer to the appropriate pressure/temperature table.
2. Available in an ANSI Class 300 outlet flange.

Scope of Design (Contd.)

Welded Inlet – Type 17_0W, class 3000

| Inlet Butt weld | | Outlet ANSI Std. R.F. Flange | | Type Numbers Maximum Temperature (Note 1) | | | Orifice | | Designation |
|-----------------|-------|------------------------------|-------|---|-------------------|-------------------|-----------------|-----------------|-------------|
| Size | Class | Size | Class | 750°F (399°C) | 1020°F (549°C) | 1060°F (571°C) | Discharge Area | | |
| | | | | | | | in ² | cm ² | |
| 1-1/2" | 3000 | 4" | 300 | 1710WB | 1710WD | 1710WE | .994 | 6.413 | 1 |
| 2" | 3000 | 4" | 300 | 1720WB | 1720WD | 1720WE | 1.431 | 9.232 | 2 |
| 2-1/2" | 3000 | 6" | 300 | 1730WB | 1730WD | 1730WE | 2.545 | 16.420 | 3 |
| 3" | 3000 | 6" | 300 | 1750WB | 1750WD | 1750WE | 3.341 | 21.556 | 5 |
| 3" | 3000 | 6" | 300 | 1740WB | 1740WD | 1740WE | 3.976 | 25.653 | 4 |
| 4" | 3000 | 8" | 300 | 1760WB | 1760WD | 1760WE | 7.070 | 45.616 | 6 |

Welded Inlet – Type 17_3W, class 4500

| Inlet Butt weld | | Outlet ANSI Std. R.F. Flange | | Type Numbers Maximum Temperature (Note 1) | | | Orifice | | Designation |
|-----------------|-------|------------------------------|-------|---|-------------------|-------------------|-----------------|-----------------|-------------|
| Size | Class | Size | Class | 750°F (399°C) | 1020°F (549°C) | 1060°F (571°C) | Discharge Area | | |
| | | | | | | | in ² | cm ² | |
| 1-1/2" | 4500 | 4" | 300 | 1713WB | 1713WD | 1713WE | .994 | 6.413 | 1 |
| 2" | 4500 | 6" | 300 | 1723WB | 1723WD | 1723WE | 1.431 | 9.232 | 2 |
| 2-1/2" | 4500 | 6" | 300 | 1733WB | 1733WD | 1733WE | 2.545 | 16.420 | 3 |
| 3" | 4500 | 8" | 300 | 1753WB | 1753WD | 1753WE | 3.341 | 21.556 | 5 |
| 3" | 4500 | 8" | 300 | 1743WB | 1743WD | 1743WE | 3.976 | 25.653 | 4 |

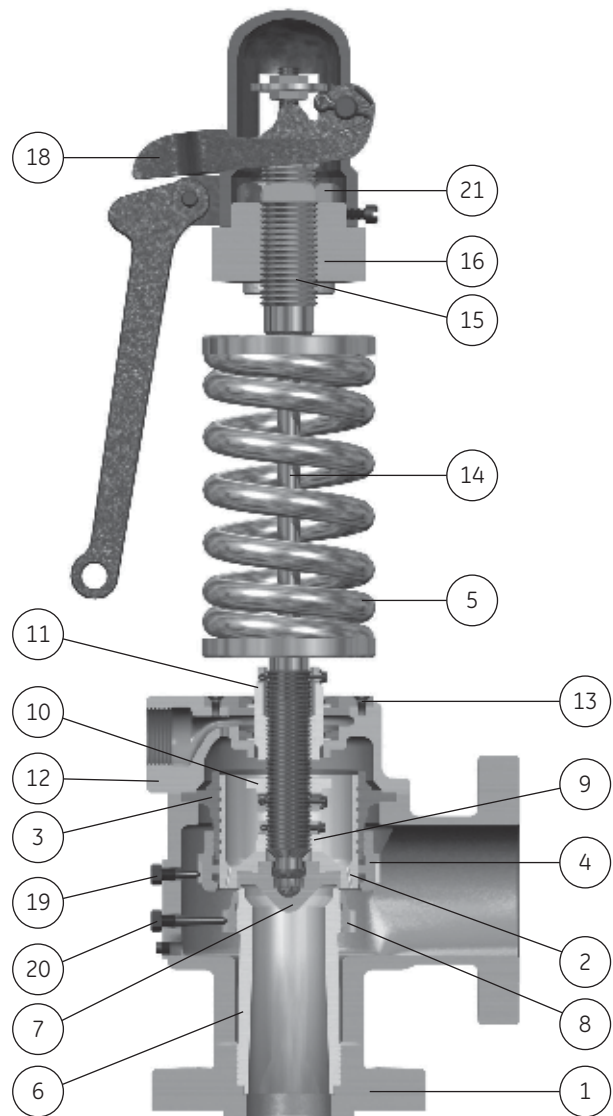
Notes:

1. To determine the maximum allowable pressure at a given temperature refer to the appropriate pressure/temperature table.

Materials

17_5 Flanged

| 600 Pressure Class | | |
|---|----------------------------|------------------------|
| Ref. No. | Part | Material |
| Temp. Classes to 750°F (399°C) | | |
| 1 | Base | SA217 WC6 Alloy Steel |
| 2 | • Disc Holder | Leaded Nickel Silver |
| 3 | • Guide | Leaded Nickel Silver |
| 4 | • Upper Adjusting Ring | Stainless Steel |
| 5 | Spring | Alloy Steel |
| Temp. Classes to 1020°F (549°C) | | |
| 1 | Base | SA217 WC6 Alloy Steel |
| 2 | • Disc Holder | Monel |
| 3 | • Guide | Monel |
| 4 | • Upper Adjusting Ring | Stainless Steel |
| 5 | Spring | Alloy Steel |
| Temp. Classes to 1060°F (571°C) | | |
| 1 | Base | SA217 WC6 Alloy Steel |
| 2 | • Disc Holder | Monel |
| 3 | • Guide | Monel |
| 4 | • Upper Adjusting Ring | Stainless Steel |
| 5 | Spring | Alloy Steel |
| All Temp. Classes | | |
| 6 | Seat Bushing | Stainless Steel |
| 7 | • Disc | Inconel |
| 8 | • Lower Adjusting Ring | Stainless Steel |
| 9 | Disc Collar | Stainless Steel |
| 10 | Lift Stop | Stainless Steel |
| 11 | • Overlap Collar | Stainless Steel |
| 12 | Cover Plate Assembly | |
| 12A | Cover Plate | WC6 Alloy Steel |
| 12B | Floating Washer | Monel |
| 12C | Washer Retainer | Stainless Steel |
| 13 | Top Plate Assembly | |
| 13A | Top Plate | F11 Alloy Steel |
| 13B | Washer Retainer | Stainless Steel |
| 13C | Floating Washer | Monel |
| 14 | • Spindle | Stainless Steel |
| 15 | Compression Screw | Siicon Brass |
| 16 | Yoke | SA216 WCC Carbon Steel |
| 17 | Yoke Rod (Not Shown) | B16 Alloy Steel |
| 18 | Lifting Gear | Iron or Steel |
| 19 | • Upper Adjusting Ring Pin | Stainless Steel |
| 20 | • Lower Adjusting Ring Pin | Stainless Steel |
| 21 | Compression Screw Locknut | Siicon Brass |
| • = Recommended spare parts. See maintenance manual for quantity. | | |



Note:

1. For F(1100°F) (593°C) and G(1120°F) (604°C) temperature class materials contact factory.

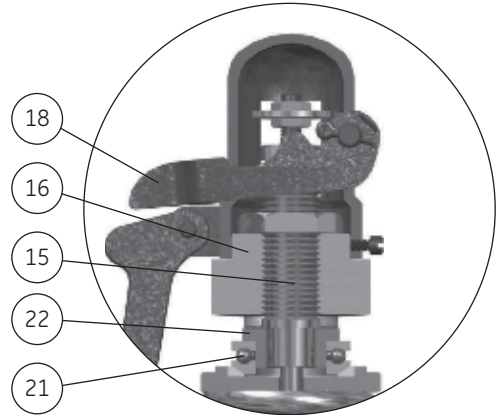
Materials (Contd.)

17_6 Flanged

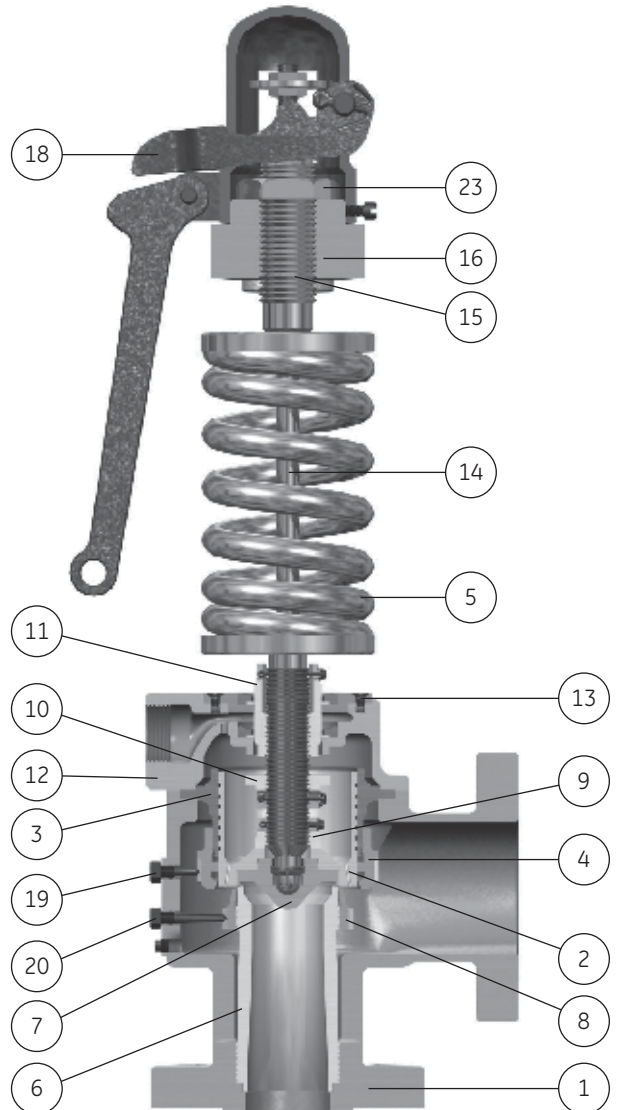
| 900 Pressure Class | | |
|---|----------------------------|------------------------|
| Ref. No. | Part | Material |
| Temp. Classes to 750°F (399°C) | | |
| 1 | Base | SA217 WC6 Alloy Steel |
| 2 | • Disc Holder | Leaded Nickel Silver |
| 3 | • Guide | Leaded Nickel Silver |
| 4 | • Upper Adjusting Ring | Stainless Steel |
| 5 | Spring | Alloy Steel |
| Temp. Classes to 1020°F (549°C) | | |
| 1 | Base | SA217 WC6 Alloy Steel |
| 2 | • Disc Holder | Monel |
| 3 | • Guide | Monel |
| 4 | • Upper Adjusting Ring | Stainless Steel |
| 5 | Spring | Alloy Steel |
| Temp. Classes to 1060°F (571°C) | | |
| 1 | Base | SA217 WC9 Alloy Steel |
| 2 | • Disc Holder | Monel |
| 3 | • Guide | Monel |
| 4 | • Upper Adjusting Ring | Stainless Steel |
| 5 | Spring | Alloy Steel |
| All Temp. Classes | | |
| 6 | Seat Bushing | Stainless Steel |
| 7 | • Disc | Inconel |
| 8 | • Lower Adjusting Ring | Stainless Steel |
| 9 | Disc Collar | Stainless Steel |
| 10 | Lift Stop | Stainless Steel |
| 11 | • Overlap Collar | Stainless Steel |
| 12 | Cover Plate Assembly | |
| 12A | Cover Plate | WC6 Alloy Steel |
| 12B | Floating Washer | Monel |
| 12C | Washer Retainer | Stainless Steel |
| 13 | Top Plate Assembly | |
| 13A | Top Plate | F11 Alloy Steel |
| 13B | Washer Retainer | Stainless Steel |
| 13C | Floating Washer | Monel |
| 14 | • Spindle | Stainless Steel |
| 15 | Compression Screw | Siicon Brass |
| 16 | Yoke | SA216 WCC Carbon Steel |
| 17 | Yoke Rod (Not Shown) | B16 Alloy Steel |
| 18 | Lifting Gear | Iron or Steel |
| 19 | • Upper Adjusting Ring Pin | Stainless Steel |
| 20 | • Lower Adjusting Ring Pin | Stainless Steel |
| 21 | Thrust Bearing | Siicon Brass |
| 22 | Compression Screw Adapter | Stainless Steel |
| 23 | Compression Screw Locknut | Siicon Brass |
| • = Recommended spare parts. See maintenance manual for quantity. | | |

Note:

- For F(1100°F) (593°C) AND G(1120°F) (604°C) temperature class materials contact factory.



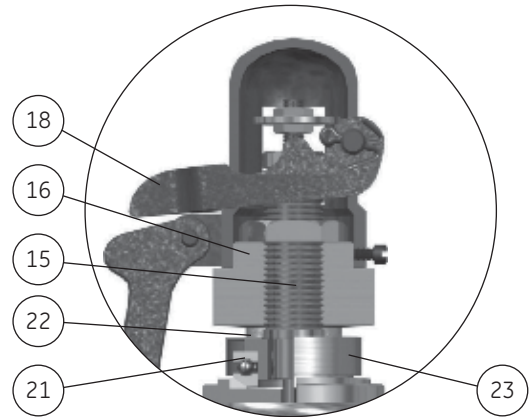
Valve Type Numbers
1786-HP & 1706RR-HP Only



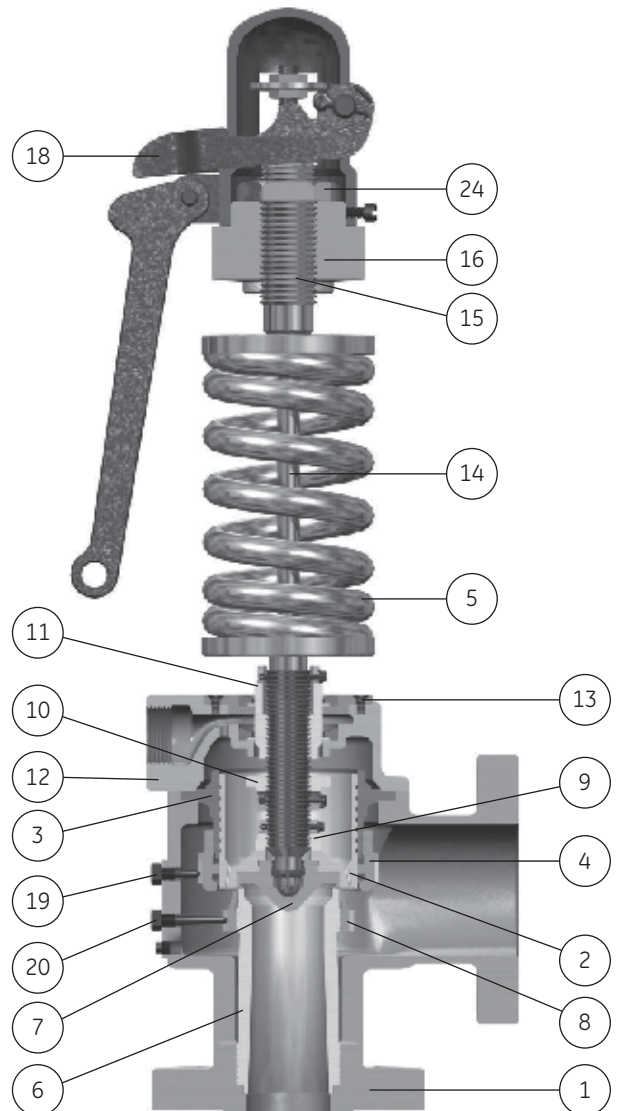
Materials (Contd.)

17_7 Flanged

| 1500 Pressure Class | | |
|---|----------------------------|------------------------|
| Ref. No. | Part | Material |
| Temp. Classes to 750°F (399°C) | | |
| 1 | Base | SA217 WC6 Alloy Steel |
| 2 | • Disc Holder | Leaded Nickel Silver |
| 3 | • Guide | Leaded Nickel Silver |
| 4 | • Upper Adjusting Ring | Stainless Steel |
| 5 | Spring | Alloy Steel |
| Temp. Classes to 1020°F (549°C) | | |
| 1 | Base | SA217 WC6 Alloy Steel |
| 2 | • Disc Holder | Monel |
| 3 | • Guide | Monel |
| 4 | • Upper Adjusting Ring | Stainless Steel |
| 5 | Spring | Alloy Steel |
| Temp. Classes to 1060°F (571°C) | | |
| 1 | Base | SA217 WC9 Alloy Steel |
| 2 | • Disc Holder | Monel |
| 3 | • Guide | Monel |
| 4 | • Upper Adjusting Ring | Stainless Steel |
| 5 | Spring | Alloy Steel |
| All Temp. Classes | | |
| 6 | Seat Bushing | Stainless Steel |
| 7 | • Disc | Inconel |
| 8 | • Lower Adjusting Ring | Stainless Steel |
| 9 | Disc Collar | Stainless Steel |
| 10 | Lift Stop | Stainless Steel |
| 11 | • Overlap Collar | Stainless Steel |
| 12 | Cover Plate Assembly | |
| 12A | Cover Plate | WC6 Alloy Steel |
| 12B | Floating Washer | Monel |
| 12C | Washer Retainer | Stainless Steel |
| 13 | Top Plate Assembly | |
| 13A | Top Plate | F11 Alloy Steel |
| 13B | Washer Retainer | Stainless Steel |
| 13C | Floating Washer | Monel |
| 14 | • Spindle | Stainless Steel |
| 15 | Compression Screw | Siicon Brass |
| 16 | Yoke | SA216 WCC Carbon Steel |
| 17 | Yoke Rod (Not Shown) | B16 Alloy Steel |
| 18 | Lifting Gear | Iron or Steel |
| 19 | • Upper Adjusting Ring Pin | Stainless Steel |
| 20 | • Lower Adjusting Ring Pin | Stainless Steel |
| 21 | Thrust Bearing | Steel |
| 22 | Compression Screw Adapter | Stainless Steel |
| 23 | Thrust Bearing Cover | Steel |
| 24 | Compression Screw Locknut | Siicon Brass |
| • = Recommended spare parts. See maintenance manual for quantity. | | |



Valve Type Numbers
1787 & 1707R Only



Note:
1. For F(1100°F) (593°C) AND G(1120°F) (604°C) temperature class materials contact factory.
2. Locknut set screw supplied when valve set pressure is 2500 psig and above. (Set screw not shown).

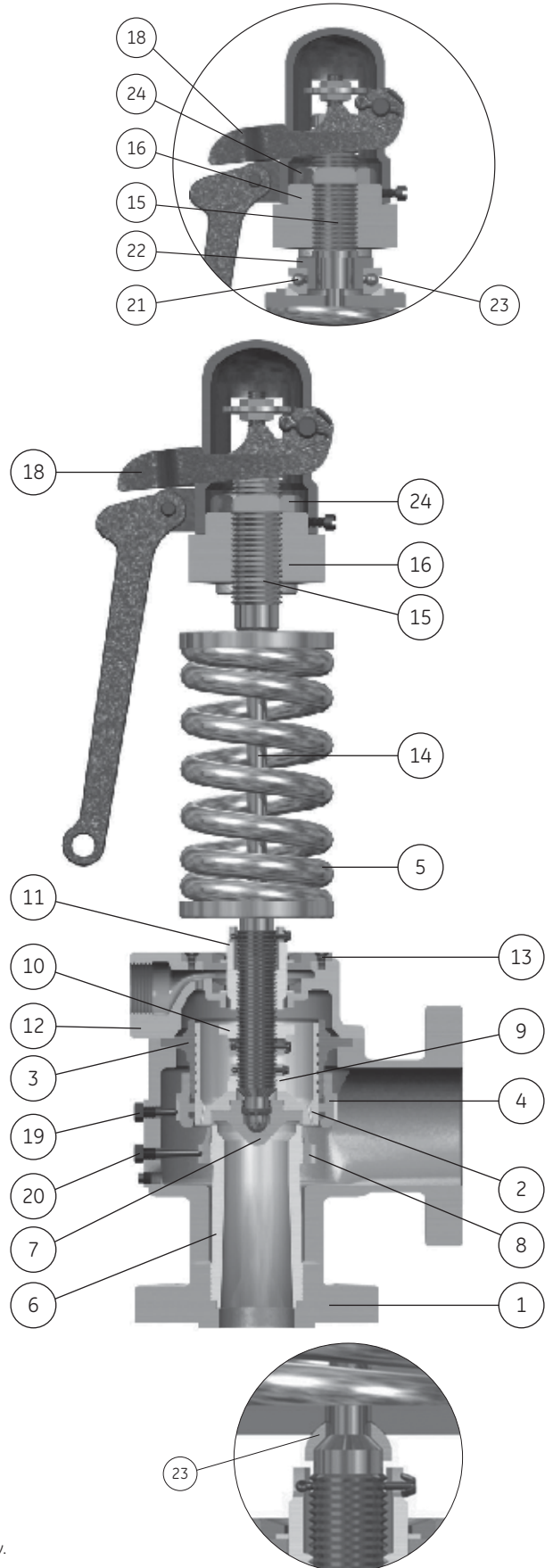
Materials (Contd.)

17_9 Flanged

| 2500 Pressure Class | | |
|---|----------------------------|------------------------|
| Ref. No. | Part | Material |
| Temp. Classes to 750°F (399°C) | | |
| 1 | Base | SA217 WC6 Alloy Steel |
| 2 | • Disc Holder | Leaded Nickel Silver |
| 3 | • Guide | Leaded Nickel Silver |
| 4 | • Upper Adjusting Ring | Stainless Steel |
| 5 | Spring | Alloy Steel |
| Temp. Classes to 1020°F (549°C) | | |
| 1 | Base | SA217 WC6 Alloy Steel |
| 2 | • Disc Holder | Monel |
| 3 | • Guide | Monel |
| 4 | • Upper Adjusting Ring | Stainless Steel |
| 5 | Spring | Alloy Steel |
| Temp. Classes to 1060°F (571°C) | | |
| 1 | Base | SA217 WC9 Alloy Steel |
| 2 | • Disc Holder | Monel |
| 3 | • Guide | Monel |
| 4 | • Upper Adjusting Ring | Stainless Steel |
| 5 | Spring | Alloy Steel |
| All Temp. Classes | | |
| 6 | Seat Bushing | Stainless Steel |
| 7 | • Disc | Inconel |
| 8 | • Lower Adjusting Ring | Stainless Steel |
| 9 | Disc Collar | Stainless Steel |
| 10 | Lift Stop | Stainless Steel |
| 11 | • Overlap Collar | Stainless Steel |
| 12 | Cover Plate Assembly | |
| 12A | Cover Plate | WC6 Alloy Steel |
| 12B | Floating Washer | Monel |
| 12C | Washer Retainer | Stainless Steel |
| 13 | Top Plate Assembly | |
| 13A | Top Plate | F11 Alloy Steel |
| 13B | Washer Retainer | Stainless Steel |
| 13C | Floating Washer | Monel |
| 14 | • Spindle | Stainless Steel |
| 15 | Compression Screw | Siicon Brass |
| 16 | Yoke | SA216 WCC Carbon Steel |
| 17 | Yoke Rod (Not Shown) | B16 Alloy Steel |
| 18 | Lifting Gear | Iron or Steel |
| 19 | • Upper Adjusting Ring Pin | Stainless Steel |
| 20 | • Lower Adjusting Ring Pin | Stainless Steel |
| 21 | Thrust Bearing | Steel |
| 22 | Compression Screw Adapter | Stainless Steel |
| 23 | Spindle Button (1719 Only) | Stainless Steel |
| 24 | Compression Screw Locknut | Siicon Brass |
| • = Recommended spare parts. See maintenance manual for quantity. | | |

Note:

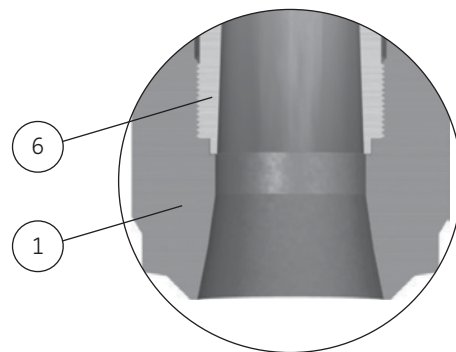
1. For F(1100°F) (593°C) AND G(1120°F) (604°C) temperature class materials contact factory.
2. Locknut set screw supplied when valve set pressure is 2500 psig and above. (Set screw not shown).



Materials (Contd.)

17_5W Welded Inlet

| 600 Pressure Class | | |
|---|------------------------------|------------------------|
| Ref. No. | Part | Material |
| Temp. Classes to 750°F (399°C) | | |
| 1 | Base | SA216 WCC |
| 1A | Inlet Neck (1.5" through 3") | SA105 Carbon Steel |
| 2 | • Disc Holder | Leaded Nickel Silver |
| 3 | • Guide | Leaded Nickel Silver |
| 4 | • Upper Adjusting Ring | Stainless Steel |
| 5 | Spring | Alloy Steel |
| Temp. Classes to 1020°F (549°C) | | |
| 1 | Base | SA217 WC6 Alloy Steel |
| 1A | Inlet Neck | SA182 F11 Alloy Steel |
| 2 | • Disc Holder | Monel |
| 3 | • Guide | Monel |
| 4 | • Upper Adjusting Ring | Stainless Steel |
| 5 | Spring | Alloy Steel |
| Temp. Classes to 1060°F (571°C) | | |
| 1 | Base | SA217 WC9 Alloy Steel |
| 1A | Inlet Neck | SA182 F22 Alloy Steel |
| 2 | • Disc Holder | Monel |
| 3 | • Guide | Monel |
| 4 | • Upper Adjusting Ring | Stainless Steel |
| 5 | Spring | Alloy Steel |
| All Temp. Classes | | |
| 6 | Seat Bushing | Stainless Steel |
| 7 | • Disc | Inconel |
| 8 | • Lower Adjusting Ring | Stainless Steel |
| 9 | Disc Collar | Stainless Steel |
| 10 | Lift Stop | Stainless Steel |
| 11 | • Overlap Collar | Stainless Steel |
| 12 | Cover Plate Assembly | |
| 12A | Cover Plate | WC6 Alloy Steel |
| 12B | Floating Washer | Monel |
| 12C | Washer Retainer | Stainless Steel |
| 13 | Top Plate Assembly | |
| 13A | Top Plate | F11 Alloy Steel |
| 13B | Washer Retainer | Stainless Steel |
| 13C | Floating Washer | Monel |
| 14 | • Spindle | Stainless Steel |
| 15 | Compression Screw | Siicon Brass |
| 16 | Yoke | SA216 WCC Carbon Steel |
| 17 | Yoke Rod (Not Shown) | B16 Alloy Steel |
| 18 | Lifting Gear | Iron or Steel |
| 19 | • Upper Adjusting Ring Pin | Stainless Steel |
| 20 | • Lower Adjusting Ring Pin | Stainless Steel |
| 21 | Compression Screw | Siicon Brass |
| • = Recommended spare parts. See maintenance manual for quantity. | | |



4" Through 6"
Cast Inlet Neck

Note:
1. For F(1100°F) (593°C) AND G(1120°F) (604°C) temperature class materials contact factory.

Materials (Contd.)

17_6W Welded Inlet

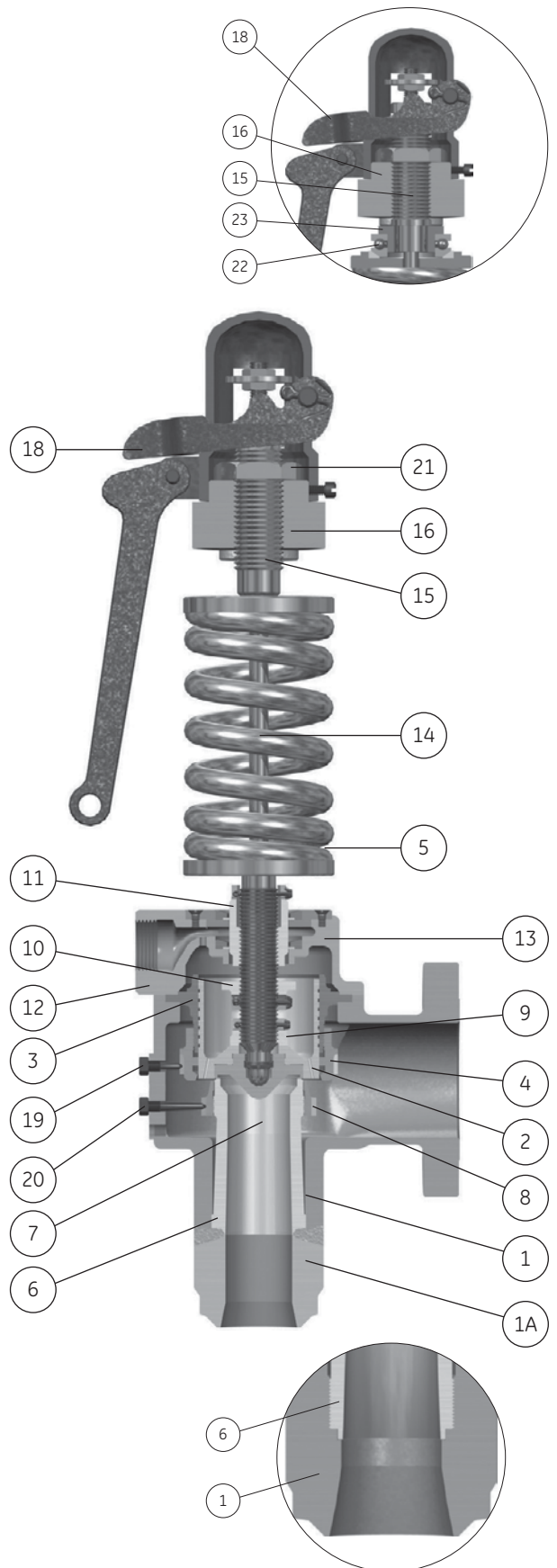
| 900 Pressure Class | | |
|--|------------------------------|------------------------|
| Ref. No. | Part | Material |
| Temp. Classes to 750°F (399°C) | | |
| 1 | Base | SA216 WCC |
| 1A | Inlet Neck (1.5" through 3") | SA105 Carbon Steel |
| 2 | • Disc Holder | Leaded Nickel Silver |
| 3 | • Guide | Leaded Nickel Silver |
| 4 | • Upper Adjusting Ring | Stainless Steel |
| 5 | Spring | Alloy Steel |
| Temp. Classes to 1020°F (549°C) | | |
| 1 | Base | SA217 WC6 Alloy Steel |
| 1A | Inlet Neck | SA182 F11 Alloy Steel |
| 2 | • Disc Holder | Monel |
| 3 | • Guide | Monel |
| 4 | • Upper Adjusting Ring | Stainless Steel |
| 5 | Spring | Alloy Steel |
| Temp. Classes to 1060°F (571°C) | | |
| 1 | Base | SA217 WC9 Alloy Steel |
| 1A | Inlet Neck | SA182 F22 Alloy Steel |
| 2 | • Disc Holder | Monel |
| 3 | • Guide | Monel |
| 4 | • Upper Adjusting Ring | Stainless Steel |
| 5 | Spring | Alloy Steel |
| All Temp. Classes | | |
| 6 | Seat Bushing | Stainless Steel |
| 7 | • Disc | Inconel |
| 8 | • Lower Adjusting Rng | Stainless Steel |
| 9 | Disc Collar | Stainless Steel |
| 10 | Lift Stop | Stainless Steel |
| 11 | • Overlap Collar | Stainless Steel |
| 12 | Cover Plate Assembly | |
| 12A | Cover Plate | WC6 Alloy Steel |
| 12B | Floating Washer | Monel |
| 12C | Washer Retainer | Stainless Steel |
| 13 | Top Plate Assembly | |
| 13A | Top Plate | F11 Alloy Steel |
| 13B | Washer Retainer | Stainless Steel |
| 13C | Floating Washer | Monel |
| 14 | • Spindle | Stainless Steel |
| 15 | Compression Screw | Siicon Brass |
| 16 | Yoke | SA216 WCC Carbon Steel |
| 17 | Yoke Rod (Not Shown) | B16 Alloy Steel |
| 18 | Lifting Gear | Iron or Steel |
| 19 | • Upper Adjusting Ring Pin | Stainless Steel |
| 20 | • Lower Adjusting Ring Pin | Stainless Steel |
| 21 | Compression Screw | Siicon Brass |
| 22 | Thrust Bearing | Steel |
| 23 | Compression Screw Adapter | Stainless Steel |

• = Recommended spare parts. See maintenance manual for quantity.

Note:

1. For F(1100°F) (593°C) AND G(1120°F) (604°C) temperature class materials contact factory.

© 2014 General Electric Company. All rights reserved.

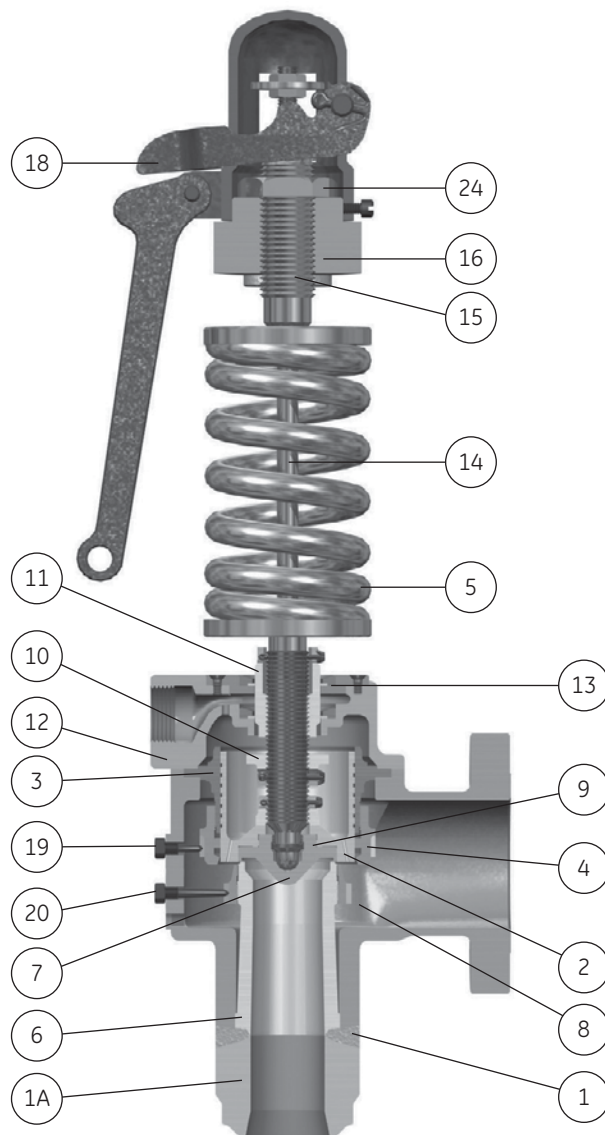
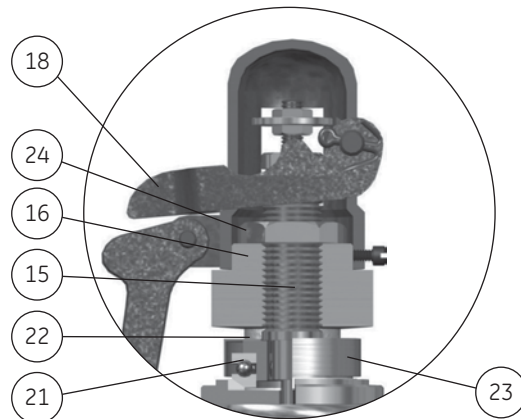


4" Through 6"
Cast Inlet Neck

Materials (Contd.)

17_7W Welded Inlet

| 1500 Pressure Class | | |
|---|------------------------------|------------------------|
| Ref. No. | Part | Material |
| Temp. Classes to 750°F (399°C) | | |
| 1 | Base | SA216 WCC |
| 1A | Inlet Neck (1.5" through 3") | SA105 Carbon Steel |
| 2 | • Disc Holder | Leaded Nickel Silver |
| 3 | • Guide | Leaded Nickel Silver |
| 4 | • Upper Adjusting Ring | Stainless Steel |
| 5 | Spring | Alloy Steel |
| Temp. Classes to 1020°F (549°C) | | |
| 1 | Base | SA217 WC6 Alloy Steel |
| 1A | Inlet Neck | SA182 F11 Alloy Steel |
| 2 | • Disc Holder | Monel |
| 3 | • Guide | Monel |
| 4 | • Upper Adjusting Ring | Stainless Steel |
| 5 | Spring | Alloy Steel |
| Temp. Classes to 1060°F (571°C) | | |
| 1 | Base | SA217 WC9 Alloy Steel |
| 1A | Inlet Neck | SA182 F22 Alloy Steel |
| 2 | • Disc Holder | Monel |
| 3 | • Guide | Monel |
| 4 | • Upper Adjusting Ring | Stainless Steel |
| 5 | Spring | Alloy Steel |
| All Temp. Classes | | |
| 6 | Seat Bushing | Stainless Steel |
| 7 | • Disc | Inconel |
| 8 | • Lower Adjusting Ring | Stainless Steel |
| 9 | Disc Collar | Stainless Steel |
| 10 | Lift Stop | Stainless Steel |
| 11 | • Overlap Collar | Stainless Steel |
| 12 | Cover Plate Assembly | |
| 12A | Cover Plate | WC6 Alloy Steel |
| 12B | Floating Washer | Monel |
| 12C | Washer Retainer | Stainless Steel |
| 13 | Top Plate Assembly | |
| 13A | Top Plate | F11 Alloy Steel |
| 13B | Washer Retainer | Stainless Steel |
| 13C | Floating Washer | Monel |
| 14 | • Spindle | Stainless Steel |
| 15 | Compression Screw | Siicon Brass |
| 16 | Yoke | SA216 WCC Carbon Steel |
| 17 | Yoke Rod (Not Shown) | B16 Alloy Steel |
| 18 | Lifting Gear | Iron or Steel |
| 19 | • Upper Adjusting Ring Pin | Stainless Steel |
| 20 | • Lower Adjusting Ring Pin | Stainless Steel |
| 21 | Thrust Bearing | Steel |
| 22 | Compression Screw Adapter | Stainless Steel |
| 23 | Spindle Button (1719 Only) | Stainless Steel |
| 24 | Compression Screw | Siicon Brass |
| • = Recommended spare parts. See maintenance manual for quantity. | | |



Note:
 1. For F(1100°F) (593°C) AND G(1120°F) (604°C) temperature class materials contact factory.
 2. Locknut set screw supplied when valve set pressure is 2500 psig and above.

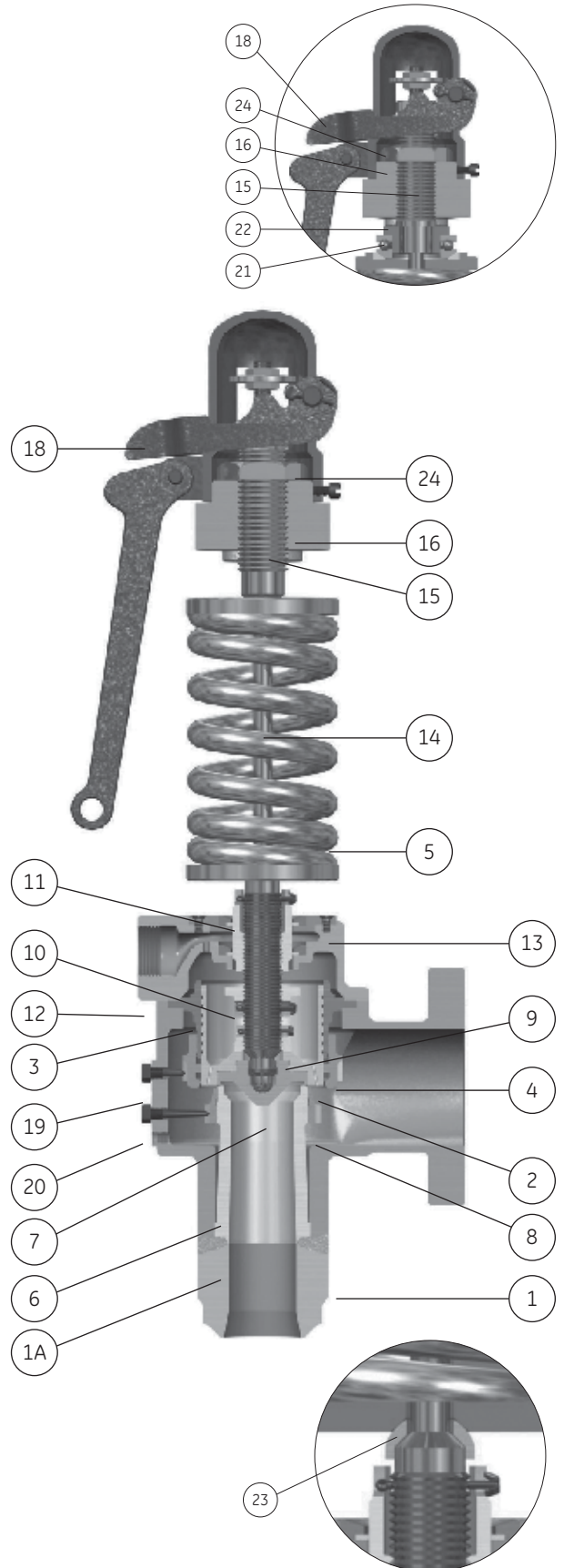
Materials (Contd.)

17_9W Welded Inlet

| 2500 Pressure Class | | |
|---|-------------------------------|------------------------|
| Ref. No. | Part | Material |
| Temp. Classes to 750°F (399°C) | | |
| 1 | Base | SA216 WCC |
| 1A | Inlet Neck (1.5" through 3") | SA105 Carbon Steel |
| 2 | • Disc Holder | Leaded Nickel Silver |
| 3 | • Guide | Leaded Nickel Silver |
| 4 | • Upper Adjusting Ring | Stainless Steel |
| 5 | Spring | Alloy Steel |
| Temp. Classes to 1020°F (549°C) | | |
| 1 | Base | SA217 WC6 Alloy Steel |
| 1A | Inlet Neck | SA182 F11 Alloy Steel |
| 2 | • Disc Holder | Monel |
| 3 | • Guide | Monel |
| 4 | • Upper Adjusting Ring | Stainless Steel |
| 5 | Spring | Alloy Steel |
| Temp. Classes to 1060°F (571°C) | | |
| 1 | Base | SA217 WC9 Alloy Steel |
| 1A | Inlet Neck | SA182 F22 Alloy Steel |
| 2 | • Disc Holder | Monel |
| 3 | • Guide | Monel |
| 4 | • Upper Adjusting Ring | Stainless Steel |
| 5 | Spring | Alloy Steel |
| All Temp. Classes | | |
| 6 | Seat Bushing | Stainless Steel |
| 7 | • Disc | Inconel |
| 8 | • Lower Adjusting Ring | Stainless Steel |
| 9 | Disc Collar | Stainless Steel |
| 10 | Lift Stop | Stainless Steel |
| 11 | • Overlap Collar | Stainless Steel |
| 12 | Cover Plate Assembly | |
| 12A | Cover Plate | WC6 Alloy Steel |
| 12B | Floating Washer | Monel |
| 12C | Washer Retainer | Stainless Steel |
| 13 | Top Plate Assembly | |
| 13A | Top Plate | F11 Alloy Steel |
| 13B | Washer Retainer | Stainless Steel |
| 13C | Floating Washer | Monel |
| 14 | • Spindle | Stainless Steel |
| 15 | Compression Screw | Siicon Brass |
| 16 | Yoke | SA216 WCC Carbon Steel |
| 17 | Yoke Rod (Not Shown) | B16 Alloy Steel |
| 18 | Lifting Gear | Iron or Steel |
| 19 | • Upper Adjusting Ring Pin | Stainless Steel |
| 20 | • Lower Adjusting Ring Pin | Stainless Steel |
| 21 | Thrust Bearing | Steel |
| 22 | Compression Screw Adapter | Stainless Steel |
| 23 | Spindle Button | Stainless Steel |
| 24 | Compression Screw Locknut | Siicon Brass |
| 25 | Locknut Set Screw (Not Shown) | Stainless Steel |
| • = Recommended spare parts. See maintenance manual for quantity. | | |

Note:

- For F(1100°F)(593°C) AND G(1120°F)(604°C) temperature class materials contact factory.
- Locknut set screw supplied when valve set pressure is 2500 psig and above.



Valve Type Number
1719 Only

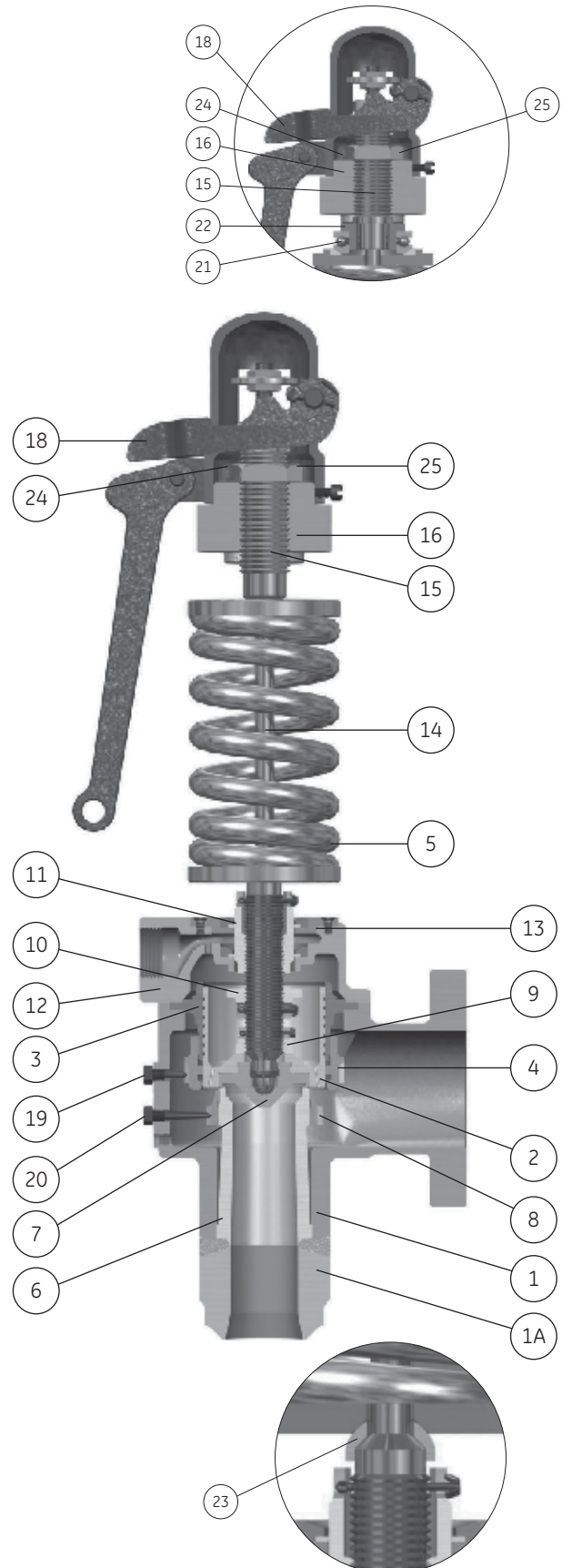
Materials (Contd.)

17_0W Welded Inlet

| 3000 Pressure Class | | |
|---|-------------------------------|------------------------|
| Ref. No. | Part | Material |
| Temp. Classes to 750°F (399°C) | | |
| 1 | Base | SA216 WCC |
| 1A | Inlet Neck (1.5" through 3") | SA105 Carbon Steel |
| 2 | • Disc Holder | Leaded Nickel Silver |
| 3 | • Guide | Leaded Nickel Silver |
| 4 | • Upper Adjusting Ring | Stainless Steel |
| 5 | Spring | Alloy Steel |
| Temp. Classes to 1020°F (549°C) | | |
| 1 | Base | SA217 WC6 Alloy Steel |
| 1A | Inlet Neck | SA182 F11 Alloy Steel |
| 2 | • Disc Holder | Monel |
| 3 | • Guide | Monel |
| 4 | • Upper Adjusting Ring | Stainless Steel |
| 5 | Spring | Alloy Steel |
| Temp. Classes to 1060°F (571°C) | | |
| 1 | Base | SA217 WC9 Alloy Steel |
| 1A | Inlet Neck | SA182 F22 Alloy Steel |
| 2 | • Disc Holder | Monel |
| 3 | • Guide | Monel |
| 4 | • Upper Adjusting Ring | Stainless Steel |
| 5 | Spring | Alloy Steel |
| All Temp. Classes | | |
| 6 | Seat Bushing | Stainless Steel |
| 7 | • Disc | Inconel |
| 8 | • Lower Adjusting Ring | Stainless Steel |
| 9 | Disc Collar | Stainless Steel |
| 10 | Lift Stop | Stainless Steel |
| 11 | • Overlap Collar | Stainless Steel |
| 12 | Cover Plate Assembly | |
| 12A | Cover Plate | WC6 Alloy Steel |
| 12B | Floating Washer | Monel |
| 12C | Washer Retainer | Stainless Steel |
| 13 | Top Plate Assembly | |
| 13A | Top Plate | F11 Alloy Steel |
| 13B | Washer Retainer | Stainless Steel |
| 13C | Floating Washer | Monel |
| 14 | • Spindle | Stainless Steel |
| 15 | Compression Screw | Siicon Brass |
| 16 | Yoke | SA216 WCC Carbon Steel |
| 17 | Yoke Rod (Not Shown) | B16 Alloy Steel |
| 18 | Lifting Gear | Iron or Steel |
| 19 | • Upper Adjusting Ring Pin | Stainless Steel |
| 20 | • Lower Adjusting Ring Pin | Stainless Steel |
| 21 | Thrust Bearing | Steel |
| 22 | Compression Screw Adapter | Stainless Steel |
| 23 | Spindle Button | Stainless Steel |
| 24 | Compression Screw Locknut | Siicon Brass |
| 25 | Locknut Set Screw (Not Shown) | Stainless Steel |
| • = Recommended spare parts. See maintenance manual for quantity. | | |

Note:

1. For F(1100°F) (593°C) AND G(1120°F) (604°C) temperature class materials contact factory.

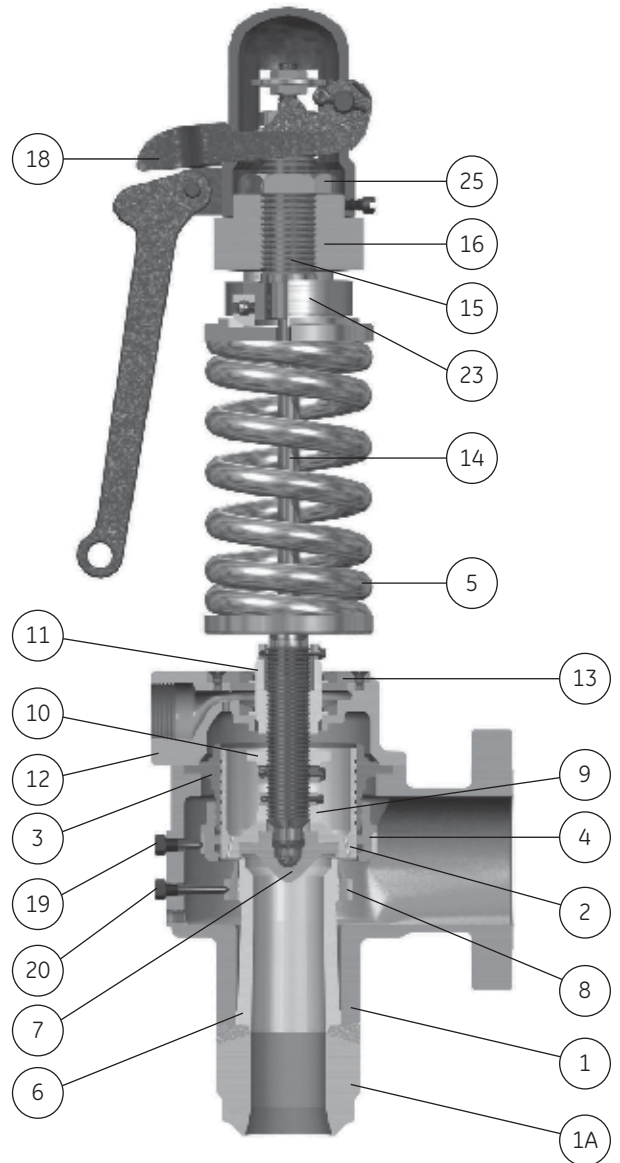


Valve Type Numbers
17190 & 1760 Only

Materials (Contd.)

17_3W Welded Inlet

| 4500 Pressure Class | | |
|---|-------------------------------|------------------------|
| Ref. No. | Part | Material |
| Temp. Classes to 750°F (399°C) | | |
| 1 | Base | SA216 WCC |
| 1A | Inlet Neck (1.5" through 3") | SA105 Carbon Steel |
| 2 | • Disc Holder | Leaded Nickel Silver |
| 3 | • Guide | Leaded Nickel Silver |
| 4 | • Upper Adjusting Ring | Stainless Steel |
| 5 | Spring | Alloy Steel |
| Temp. Classes to 1020°F (549°C) | | |
| 1 | Base | SA217 WC6 Alloy Steel |
| 1A | Inlet Neck | SA182 F11 Alloy Steel |
| 2 | • Disc Holder | Monel |
| 3 | • Guide | Monel |
| 4 | • Upper Adjusting Ring | Stainless Steel |
| 5 | Spring | Alloy Steel |
| Temp. Classes to 1060°F (571°C) | | |
| 1 | Base | SA217 WC9 Alloy Steel |
| 1A | Inlet Neck | SA182 F22 Alloy Steel |
| 2 | • Disc Holder | Monel |
| 3 | • Guide | Monel |
| 4 | • Upper Adjusting Ring | Stainless Steel |
| 5 | Spring | Alloy Steel |
| All Temp. Classes | | |
| 6 | Seat Bushing | Stainless Steel |
| 7 | • Disc | Inconel |
| 8 | • Lower Adjusting Ring | Stainless Steel |
| 9 | Disc Collar | Stainless Steel |
| 10 | Lift Stop | Stainless Steel |
| 11 | • Overlap Collar | Stainless Steel |
| 12 | Cover Plate Assembly | |
| 12A | Cover Plate | WC6 Alloy Steel |
| 12B | Floating Washer | Monel |
| 12C | Washer Retainer | Stainless Steel |
| 13 | Top Plate Assembly | |
| 13A | Top Plate | F11 Alloy Steel |
| 13B | Washer Retainer | Stainless Steel |
| 13C | Floating Washer | Monel |
| 14 | • Spindle | Stainless Steel |
| 15 | Compression Screw | Siicon Brass |
| 16 | Yoke | SA216 WCC Carbon Steel |
| 17 | Yoke Rod (Not Shown) | B16 Alloy Steel |
| 18 | Lifting Gear | Iron or Steel |
| 19 | • Upper Adjusting Ring Pin | Stainless Steel |
| 20 | • Lower Adjusting Ring Pin | Stainless Steel |
| 21 | Thrust Bearing | Steel |
| 22 | Compression Screw Adapter | Stainless Steel |
| 23 | Thrust Bearing Cover | Steel |
| 24 | Locknut Set Screw (Not Shown) | Steel |
| 25 | Copression Screw Locknut | Siicon Brass |
| • = Recommended spare parts. See maintenance manual for quantity. | | |



Materials (Contd.)

Alternate Materials for Base Assembly

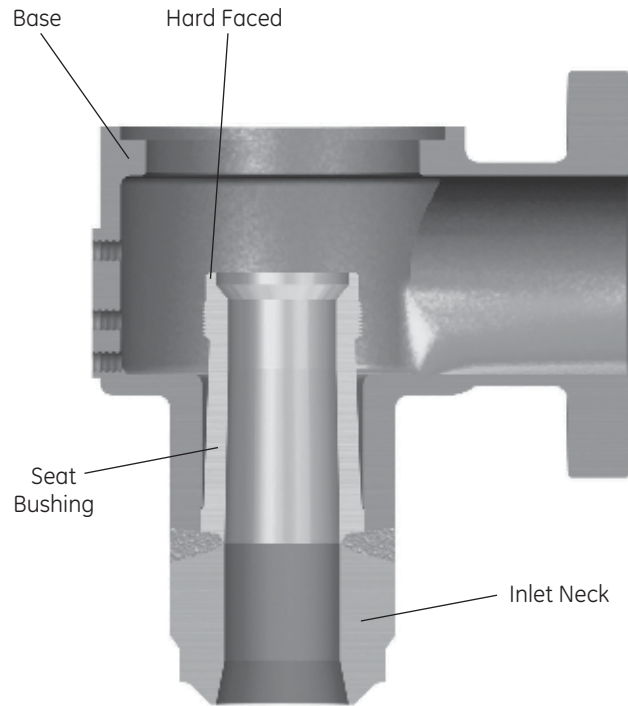
Consolidated safety valves are supplied to meet the specific material requirements of our customers. The following special material requirements are available for the safety valves listed. Many boiler manufactures now prefer to match the safety valve inlet neck material to the material being used on the header and nozzle inlet. By matching the materials, welding procedures can be simplified and the overall cost of installation reduced.

Some customers prefer that the valve be supplied with the

same material for both the inlet neck and seat bushing. This material combination is often requested when rapid startup is expected on the boiler, as is the case with peaking units. When heat is applied, the expansion rate is constant for both the inlet neck and seat bushing.

Both the inlet neck and seat bushing are manufactured from high strength forged material integrally welded to the cast valve body. A Stellite deposit is added to the seating area.

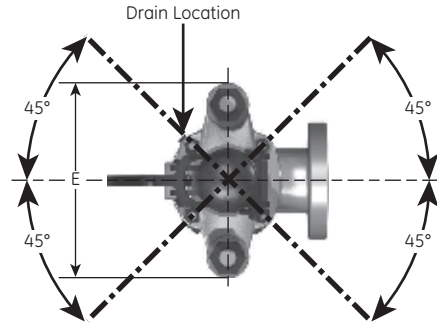
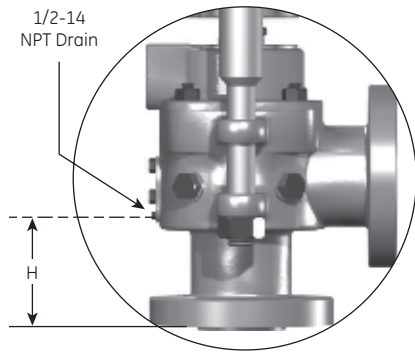
| Valve Construction | |
|--------------------|------------|
| Pressure Class | Valve Type |
| 600 | 1715W |
| | 1725W |
| | 1735W |
| | 17155W |
| | 1745W |
| 900 | 1716W |
| | 1726W |
| | 1736W |
| | 1756W |
| 1500 | 1746W |
| | 1717W |
| | 1727W |
| | 1737W |
| | 1757W |
| | 1747W |
| | 1767W |
| | 1777QW |
| | 1787W |
| | 1707RW |
| 1707RRW | |
| 2500 | 1719W |
| | 1729W |
| | 1739W |
| | 1759W |
| 3000 | 1749W |
| | 1710W |
| | 1720W |
| | 1730W |
| | 1750W |
| | 1740W |
| 4500 | 1760W |
| | 1713W |
| | 1723W |
| | 1733W |
| | 1753W |
| 1743W | |



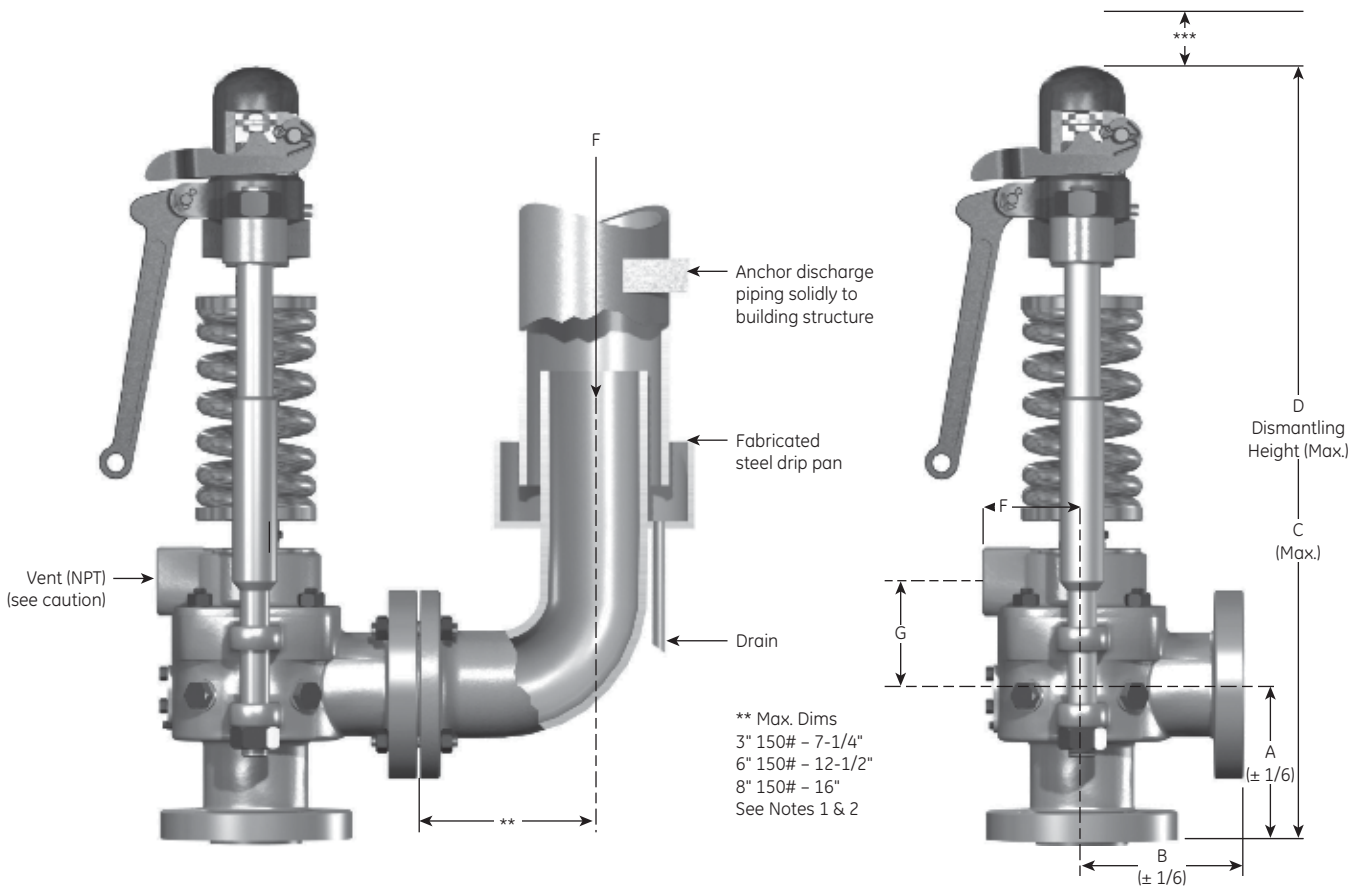
| Ref. No. | Material Options | | | | | |
|----------|---------------------------|----------------|-----------------|-----------------|-----------------|-----------------|
| | Part | Material | | | | |
| 1 | Base | ASME SA216 WCC | ASME SA217 WC 6 | ASME SA217 WC 9 | ASME SA217 WC 9 | ASME SA217 C12A |
| 2 | Inlet Neck (Note 1) | ASME SA105 | ASME SA182 F11 | ASME SA182 F22 | ASME SA182 F91 | ASME SA182 F91 |
| 3 | Seat Bushing (Notes 1, 2) | ASME SA105 | ASME SA182 F11 | ASME SA182 F22 | ASME SA182 F91 | ASME SA182 F91 |
| 4 | Hard Faced | Stellite | Stellite | Stellite | Stellite | Stellite |

- Note:
1. Inlet neck and seat bushing can be supplied of one-piece construction on application.
 2. Also available in ASME SA479 GR. 410 Material.

Dimensions and Weights (USCS)



Cap and lever may be rotated 45° horizontally to either side of centerline
 Drain location for 4" & 6" valves is on centerline of outlet



***The EVT-I and Hydroset require 15" clearance.

The EVT-II requires 17" clearance. And an additional 8" is required when the assisted closing device is utilized.

CAUTION

Steam flow will occur through the coverplate vent when the valve is in the open position. Do not plug. Pipe to safe location. Refer to maintenance manual for instructions.

Notes:

1. For lever clearance dimensions see page 1700.31.
2. Appropriate considerations should be made for draining any condensate which may accumulate in the cover plate vent piping, body bowl drain, and drip pan elbow arrangement. See maintenance manual.

Dimensions & Weights (USCS) (Contd.)

Flanged Inlet – Type 17_5, class 600

| Size and Type | All Temperature Classes | | | | | | | | Vent NPT (see caution) | Approx. Weight lbs. |
|---------------|-------------------------|-------|--------|--------|--------|---------|---------|---------|------------------------|---------------------|
| | A in. | B in. | C in. | D in. | E in. | F in. | G in. | H in. | | |
| 1-1/2" 1715 | 6 | 5-1/4 | 23-3/4 | 28 | 9 | 3-1/4 | 3-9/16 | 4-15/16 | 1 | 85 |
| 2" 1725 | 7 | 5-1/2 | 28-1/2 | 34-1/2 | 10-1/4 | 3-3/8 | 4-5/8 | 5-15/16 | 1-1/4 | 100 |
| 2-1/2" 1735 | 8-1/4 | 7 | 33-1/2 | 40-3/4 | 13 | 3-7/16 | 4-13/16 | 6-3/16 | 1-1/4 | 240 |
| 3" 1755 | 8-1/2 | 7 | 37-1/4 | 44-3/4 | 15-1/2 | 3-15/16 | 5-1/2 | 5-15/16 | 1-1/2 | 285 |
| 3" 1745 | 8-1/2 | 7 | 37-1/4 | 44-3/4 | 15-1/2 | 3-15/16 | 5-1/2 | 5-15/16 | 1-1/2 | 285 |
| 4" 1765 | 9 | 8 | 40-3/4 | 49-1/4 | 15-1/2 | 5-13/16 | 6-7/8 | 6-7/16 | 2 | 475 |
| 4" 1775Q | 8-3/4 | 9 | 45-1/4 | 55-1/4 | 19 | 6 | 8-3/16 | 5-5/16 | 2 | 550 |
| 6" 1775Q | 12-11/16 | 9 | 49-1/4 | 59-1/4 | 19 | 6 | 8-3/16 | 9-1/4 | 2 | 600 |
| 6" 1785 | 10-11/16 | 10 | 50-1/2 | 62-3/4 | 20-1/4 | 7-1/4 | 8-7/16 | 7-1/4 | 2-1/2 | 750 |
| 6" 1705R | 10-11/16 | 10 | 55-1/4 | 71-1/4 | 20-1/4 | 7-1/4 | 8-7/16 | 7-9/32 | 2-1/2 | 765 |
| 6" 1705RR | 10-11/16 | 10 | 55-1/4 | 71-1/4 | 20-1/4 | 7-1/4 | 8-7/16 | 7-9/32 | 2-1/2 | 765 |

Flanged Inlet – Type 17_6, class 900

| Size and Type | All Temperature Classes | | | | | | | | Vent NPT (see caution) | Approx. Weight lbs. |
|---------------|-------------------------|--------|---------|---------|--------|---------|---------|---------|------------------------|---------------------|
| | A in. | B in. | C in. | D in. | E in. | F in. | G in. | H in. | | |
| 1-1/2" 1716 | 6 | 5-1/4 | 23-3/4 | 28 | 9 | 3-1/4 | 3-9/16 | 4-15/16 | 1 | 90 |
| 2" 1726 | 7 | 5-1/2 | 29-3/4 | 35-1/2 | 10-1/4 | 3-3/8 | 4-5/8 | 5-15/16 | 1-1/4 | 110 |
| 2-1/2" 1736 | 8-1/4 | 7 | 34-1/4 | 42 | 13 | 3-7/16 | 4-13/16 | 6-3/16 | 1-1/4 | 250 |
| 3" 1756 | 8-5/8 | 7 | 38-1/2 | 46-3/4 | 15-1/2 | 3-15/16 | 5-1/2 | 6-1/16 | 1-1/2 | 385 |
| 3" 1746 | 8-5/8 | 7 | 38-1/2 | 46-3/4 | 15-1/2 | 3-15/16 | 5-1/2 | 6-1/16 | 1-1/2 | 385 |
| 4" 1766 | 9-1/8 | 8 | 42-3/4 | 53-1/4 | 15-1/2 | 5-13/16 | 6-7/8 | 6-9/16 | 2 | 500 |
| 4" 1776Q | 9 | 9 | 47-1/2 | 59-1/2 | 19 | 6 | 8-3/16 | 5-9/16 | 2 | 575 |
| 6" 1776Q | 13 | 9 | 51-1/2 | 63-1/2 | 19 | 6 | 8-3/16 | 9-5/16 | 2 | 640 |
| 6" 1786-HP | 15-7/16 | 10-1/2 | 64-7/16 | 71-7/16 | 21-1/2 | 7-1/16 | 8-9/16 | 11 | 2-1/2 | 1200 |
| 6" 1706R-HP | 15-7/16 | 10-1/2 | 64-7/16 | 71-7/16 | 21-1/2 | 7-1/16 | 8-9/16 | 11 | 2-1/2 | 1200 |
| 6" 1706RR-HP | 15-7/16 | 10-1/2 | 64-7/16 | 71-7/16 | 21-1/2 | 7-1/16 | 8-9/16 | 11 | 2-1/2 | 1200 |

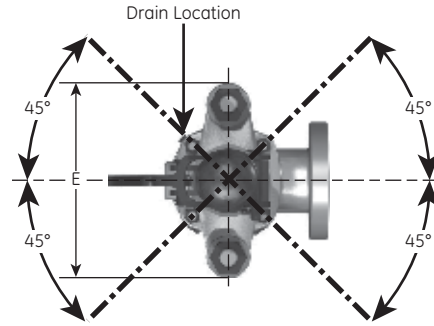
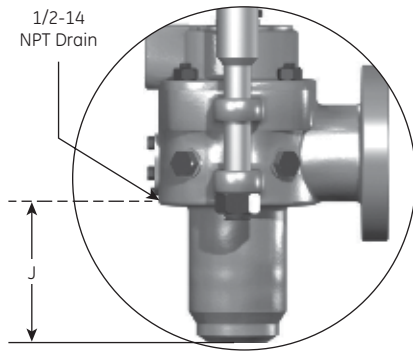
Flanged Inlet – Type 17_7, class 1500

| Size and Type | All Temperature Classes | | | | | | | | Vent NPT (see caution) | Approx. Weight lbs. |
|---------------|-------------------------|--------|--------|--------|--------|---------|---------|----------|------------------------|---------------------|
| | A in. | B in. | C in. | D in. | E in. | F in. | G in. | H in. | | |
| 1-1/2" 1717 | 6 | 5-1/4 | 25-1/2 | 31-1/2 | 9 | 3-1/4 | 3-9/16 | 4-15/16 | 1 | 90 |
| 2" 1727 | 7 | 5-1/2 | 31-1/4 | 38-1/2 | 10-1/4 | 3-3/8 | 4-5/8 | 5-15/16 | 1-1/4 | 140 |
| 2-1/2" 1737 | 8-1/4 | 7 | 34-1/4 | 42 | 13 | 3-7/16 | 4-13/16 | 6-3/16 | 1-1/4 | 250 |
| 3" 1757 | 9 | 7 | 40-1/2 | 51 | 15-1/2 | 3-15/16 | 5-1/2 | 7-7/16 | 1-1/2 | 400 |
| 3" 1747 | 9 | 7 | 40-1/2 | 51 | 15-1/2 | 3-15/16 | 5-1/2 | 6-7/16 | 1-1/2 | 400 |
| 4" 1767 | 9-1/2 | 8 | 45 | 57-1/2 | 15-1/2 | 5-13/16 | 6-7/8 | 6-15/16 | 2 | 600 |
| 6" 1777Q | 14-1/4 | 10 | 57-1/2 | 73-1/2 | 19-3/4 | 7-1/4 | 8-7/16 | 10-13/16 | 2-1/2 | 850 |
| 6" 1787 | 16-1/2 | 10-1/2 | 68-3/8 | 77-7/8 | 21-1/2 | 7-1/16 | 8-9/16 | 12-1/16 | 2-1/2 | 1280 |
| 6" 1707R | 16-1/2 | 10-1/2 | 68-3/8 | 77-7/8 | 21-1/2 | 7-1/16 | 8-9/16 | 12-1/16 | 2-1/2 | 1312 |
| 6" 1707RR | 16-1/2 | 10-1/2 | 68-3/8 | 77-7/8 | 21-1/2 | 7-1/16 | 8-9/16 | 12-1/16 | 2-1/2 | 1312 |

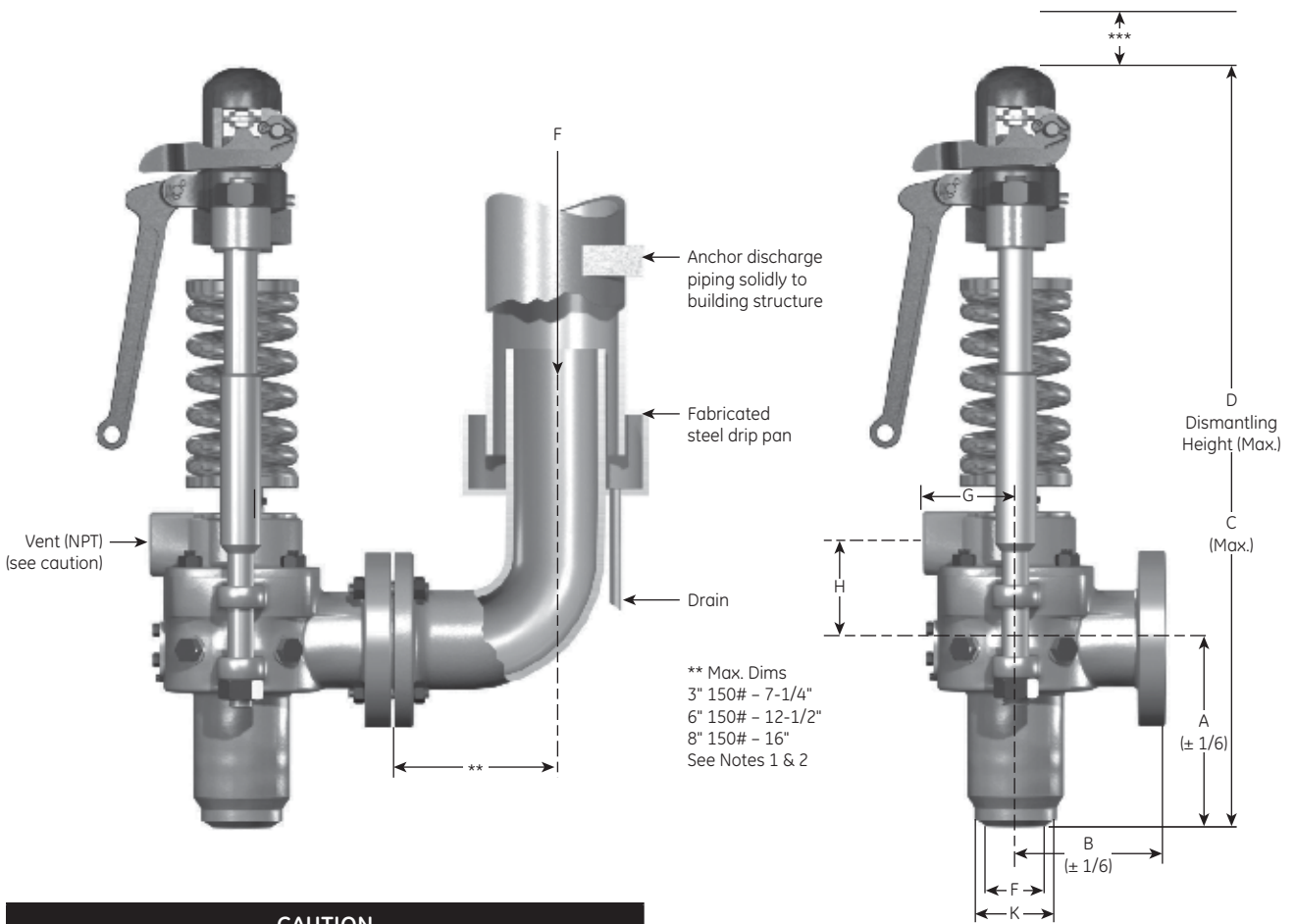
Flanged Inlet – Type 17_9, class 2500

| Size and Type | All Temperature Classes | | | | | | | | Vent NPT (see caution) | Approx. Weight lbs. |
|---------------|-------------------------|-------|--------|--------|--------|---------|---------|--------|------------------------|---------------------|
| | A in. | B in. | C in. | D in. | E in. | F in. | G in. | H in. | | |
| 1-1/2" 1719 | 8-3/4 | 6-1/2 | 30-1/4 | 36 | 10-3/4 | 3-1/4 | 3-13/16 | 7-3/16 | 1 | 200 |
| 2" 1729 | 8-3/4 | 6-1/2 | 33-1/2 | 40-3/4 | 10-3/4 | 3-3/8 | 4-1/8 | 7-3/16 | 1-1/4 | 200 |
| 2-1/2" 1739 | 10-3/4 | 7-1/2 | 40-1/4 | 50-3/4 | 15-1/2 | 3-7/16 | 5-7/16 | 8-3/16 | 1-1/2 | 400 |
| 3" 1759 | 11 | 7-1/2 | 44 | 54-1/4 | 16 | 3-15/16 | 5-1/2 | 8-7/16 | 1-1/2 | 500 |
| 3" 1749 | 11 | 7-1/2 | 45-3/4 | 58 | 16 | 3-15/16 | 5-1/2 | 8-7/16 | 1-1/2 | 500 |

Dimensions & Weights (USCS) (Contd.)



Cap and lever may be rotated 45° horizontally to either side of centerline
Drain location for 4" & 6" valves is on centerline of outlet



CAUTION

Steam flow will occur through the coverplate vent when the valve is in the open position. Do not plug. Pipe to safe location. Refer to maintenance manual for instructions.

Notes:

1. For lever clearance dimensions see page 1700.31.
2. Appropriate considerations should be made for draining any condensate which may accumulate in the cover plate vent piping, body bowl drain, and drip pan elbow arrangement. See maintenance manual.

***The EVT-I and Hydroset require 15" clearance.

The EVT-II requires 17" clearance. And an additional 8" is required when the assisted closing device is utilized.

Dimensions & Weights (USCS) (Contd.)

Flanged Inlet – Type 17_5W, class 600

| Size and Type | All Temperature Classes | | | | | | | | | Temp. Class to 750° | Temp. Class to 1020° | Temp. Class to 1060° | Vent NPT (see caution) | Approx. Weight lbs. |
|---------------|-------------------------|-------|--------|--------|--------|-------|---------|---------|---------|---------------------|----------------------|----------------------|------------------------|---------------------|
| | A in. | B in. | C in. | D in. | E in. | F in. | G in. | H in. | J in. | Max. K in. Note 1 | Max. K in. Note 1 | Max. K in. Note 1 | | |
| 1-1/2" 1715W | 10 | 5-1/4 | 27-3/4 | 32 | 9 | 1-1/2 | 3-1/4 | 3-9/16 | 8-15/16 | 3.99 | 3.99 | 3.99 | 1 | 85 |
| 2" 1725W | 10 | 5-1/2 | 31-1/2 | 37-1/2 | 10-1/4 | 2 | 3-3/8 | 4-5/8 | 8-15/16 | 3.99 | 3.99 | 3.99 | 1-1/4 | 100 |
| 2-1/2" 1735W | 12 | 7 | 37-1/2 | 44-1/2 | 13 | 2-1/2 | 3-7/16 | 4-13/16 | 9-15/16 | 4.49 | 4.49 | 4.98 | 1-1/4 | 240 |
| 3" 1755W | 12 | 7 | 40-3/4 | 48-1/4 | 15-1/2 | 3 | 3-15/16 | 5-1/2 | 9-7/16 | 5.49 | 5.49 | 5.49 | 1-1/2 | 260 |
| 3" 1745W | 12 | 7 | 40-3/4 | 48-1/4 | 15-1/2 | 3 | 3-15/16 | 5-1/2 | 9-7/16 | 5.74 | 5.74 | 5.74 | 1-1/2 | 260 |
| 4" 1765W | 12 | 8 | 43-3/4 | 52-1/4 | 15-1/2 | 4 | 5-13/16 | 6-7/8 | 9-7/16 | 6.99 | 6.99 | 6.99 | 2 | 475 |
| 4" 1775QW | 12 | 9 | 48-1/2 | 58-1/2 | 19 | 4-1/8 | 6 | 8-3/16 | 8-9/16 | 7.24 | 7.24 | 7.24 | 2 | 550 |
| 6" 1775QW | 12 | 9 | 48-1/2 | 58-1/2 | 19 | 6 | 6 | 8-3/16 | 8-9/16 | 8.74 | 8.74 | 8.74 | 2 | 600 |
| 6" 1785W | 12 | 10 | 51-3/4 | 64 | 20-1/4 | 6 | 7-1/4 | 8-7/16 | 8-9/16 | 8.74 | 8.74 | 8.74 | 2-1/2 | 750 |
| 6" 1705RW | 12 | 10 | 56-1/4 | 72-1/4 | 20-1/4 | 6 | 7-1/4 | 8-7/16 | 8-9/16 | 8.74 | 8.74 | 8.74 | 2-1/2 | 765 |
| 6" 1705RRW | 12 | 10 | 56-1/4 | 72-1/4 | 20-1/4 | 6 | 7-1/4 | 8-7/16 | 8-9/16 | 8.74 | 8.74 | 8.74 | 2-1/2 | 765 |

Flanged Inlet – Type 17_6W, class 900

| Size and Type | All Temperature Classes | | | | | | | | | Temp. Class to 750° | Temp. Class to 1020° | Temp. Class to 1060° | Vent NPT (see caution) | Approx. Weight lbs. |
|---------------|-------------------------|--------|--------|--------|--------|-------|---------|---------|---------|---------------------|----------------------|----------------------|------------------------|---------------------|
| | A in. | B in. | C in. | D in. | E in. | F in. | G in. | H in. | J in. | Max. K in. Note 1 | Max. K in. Note 1 | Max. K in. Note 1 | | |
| 1-1/2" 1716W | 10 | 5-1/4 | 27-3/4 | 32 | 9 | 1-1/2 | 3-1/4 | 3-9/16 | 8-15/16 | 3.99 | 3.99 | 3.99 | 1 | 90 |
| 2" 1726W | 10 | 5-1/2 | 32-3/4 | 38-1/2 | 10-1/4 | 2 | 3-3/8 | 4-9/16 | 8-15/16 | 3.99 | 3.99 | 3.99 | 1-1/4 | 110 |
| 2-1/2" 1736W | 12 | 7 | 38 | 45-3/4 | 13 | 2-1/2 | 3-7/16 | 4-13/16 | 9-15/16 | 4.49 | 4.49 | 4.99 | 1-1/4 | 250 |
| 3" 1756W | 12 | 7 | 41-3/4 | 50-1/4 | 15-1/2 | 3 | 3-15/16 | 5-1/2 | 9-7/16 | 5.49 | 5.49 | 5.49 | 1-1/2 | 360 |
| 3" 1746W | 12 | 7 | 41-3/4 | 50-1/4 | 15-1/2 | 3 | 3-15/16 | 5-1/2 | 9-7/16 | 5.74 | 5.74 | 5.74 | 1-1/2 | 360 |
| 4" 1766W | 12 | 8 | 45-1/2 | 56 | 15-1/2 | 4 | 5-13/16 | 6-7/8 | 9-7/16 | 6.99 | 6.99 | 6.99 | 2 | 500 |
| 4" 1776QW | 12 | 9 | 50-1/2 | 62-1/2 | 19 | 4-1/8 | 6 | 8-3/16 | 8-9/16 | 7.24 | 7.24 | 7.24 | 2 | 575 |
| 6" 1776QW | 12 | 9 | 50-1/2 | 62-1/2 | 19 | 6 | 6 | 8-3/16 | 8-9/16 | 8.74 | 8.74 | 8.74 | 2 | 640 |
| 6" 1786W | 12 | 10-1/2 | 64 | 71 | 21-1/2 | 6 | 7-1/4 | 9-7/16 | 10-9/16 | 8.74 | 8.74 | 8.74 | 2-1/2 | 1100 |
| 6" 1706RW | 12 | 10-1/2 | 64 | 71 | 21-1/2 | 6 | 7-1/6 | 8-9/16 | 10-9/16 | 8.74 | 8.74 | 8.74 | 2-1/2 | 1132 |
| 6" 1706RRW | 12 | 10-1/2 | 64 | 71 | 21-1/2 | 6 | 7-1/6 | 8-9/16 | 10-9/16 | 8.74 | 8.74 | 8.74 | 2-1/2 | 1132 |

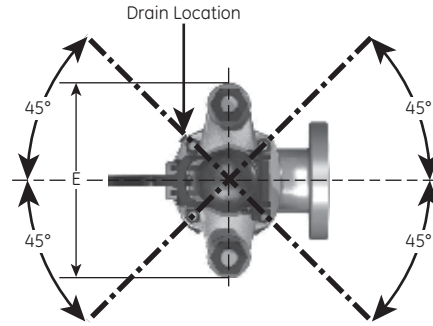
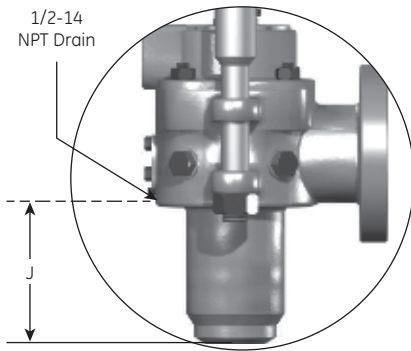
Flanged Inlet – Type 17_7W, class 1500

| Size and Type | All Temperature Classes | | | | | | | | | Temp. Class to 750° | Temp. Class to 1020° | Temp. Class to 1060° | Vent NPT (see caution) | Approx. Weight lbs. |
|---------------|-------------------------|--------|--------|--------|--------|-------|---------|---------|---------|---------------------|----------------------|----------------------|------------------------|---------------------|
| | A in. | B in. | C in. | D in. | E in. | F in. | G in. | H in. | J in. | Max. K in. Note 1 | Max. K in. Note 1 | Max. K in. Note 1 | | |
| 1-1/2" 1717W | 10 | 5-1/4 | 29-1/2 | 35-1/2 | 9 | 1-1/2 | 3-1/4 | 3-21/32 | 8-15/16 | 3.99 | 3.99 | 3.99 | 1 | 90 |
| 2" 1727W | 10 | 5-1/2 | 34-1/4 | 41-1/2 | 10-1/4 | 2 | 3-3/8 | 3-23/32 | 8-15/16 | 4.49 | 4.49 | 4.49 | 1-1/4 | 140 |
| 2-1/2" 1737W | 12 | 7 | 38 | 45-3/4 | 13 | 2-1/2 | 3-7/16 | 4-29/32 | 9-15/16 | 4.99 | 4.99 | 5.49 | 1-1/4 | 250 |
| 3" 1757W | 12 | 7 | 43-1/2 | 59 | 15-1/2 | 3 | 3-5/16 | 5-19/32 | 9-7/16 | 5.49 | 5.49 | 6.49 | 1-1/2 | 380 |
| 3" 1747W | 12 | 7 | 43-1/2 | 59 | 15-1/2 | 3 | 3-5/16 | 5-19/32 | 9-7/16 | 5.74 | 5.74 | 6.49 | 1-1/2 | 380 |
| 4" 1767W | 12 | 8 | 47-1/2 | 60 | 15-1/2 | 4 | 5-13/16 | 6-7/8 | 9-7/16 | 6.99 | 6.99 | 7.24 | 2 | 525 |
| 6" 1777QW | 12 | 10 | 55-1/4 | 61-3/4 | 19-3/4 | 6 | 7-1/4 | 8-7/16 | 8-9/16 | 8.74 | 8.74 | 8.74 | 2-1/2 | 785 |
| 6" 1787W | 16 | 10-1/2 | 67-7/8 | 77-3/8 | 21-1/2 | 6 | 7-1/16 | 8-9/16 | 11-9/16 | 8.74 | 8.74 | 8.74 | 2-1/2 | 1100 |
| 6" 1707RW | 16 | 10-1/2 | 67-7/8 | 77-3/8 | 21-1/2 | 6 | 7-1/16 | 8-9/16 | 11-9/16 | 8.74 | 8.74 | 8.74 | 2-1/2 | 1132 |
| 6" 1707RRW | 16 | 10-1/2 | 67-7/8 | 77-3/8 | 21-1/2 | 6 | 7-1/16 | 8-9/16 | 11-9/16 | 8.74 | 8.74 | 8.74 | 2-1/2 | 1132 |

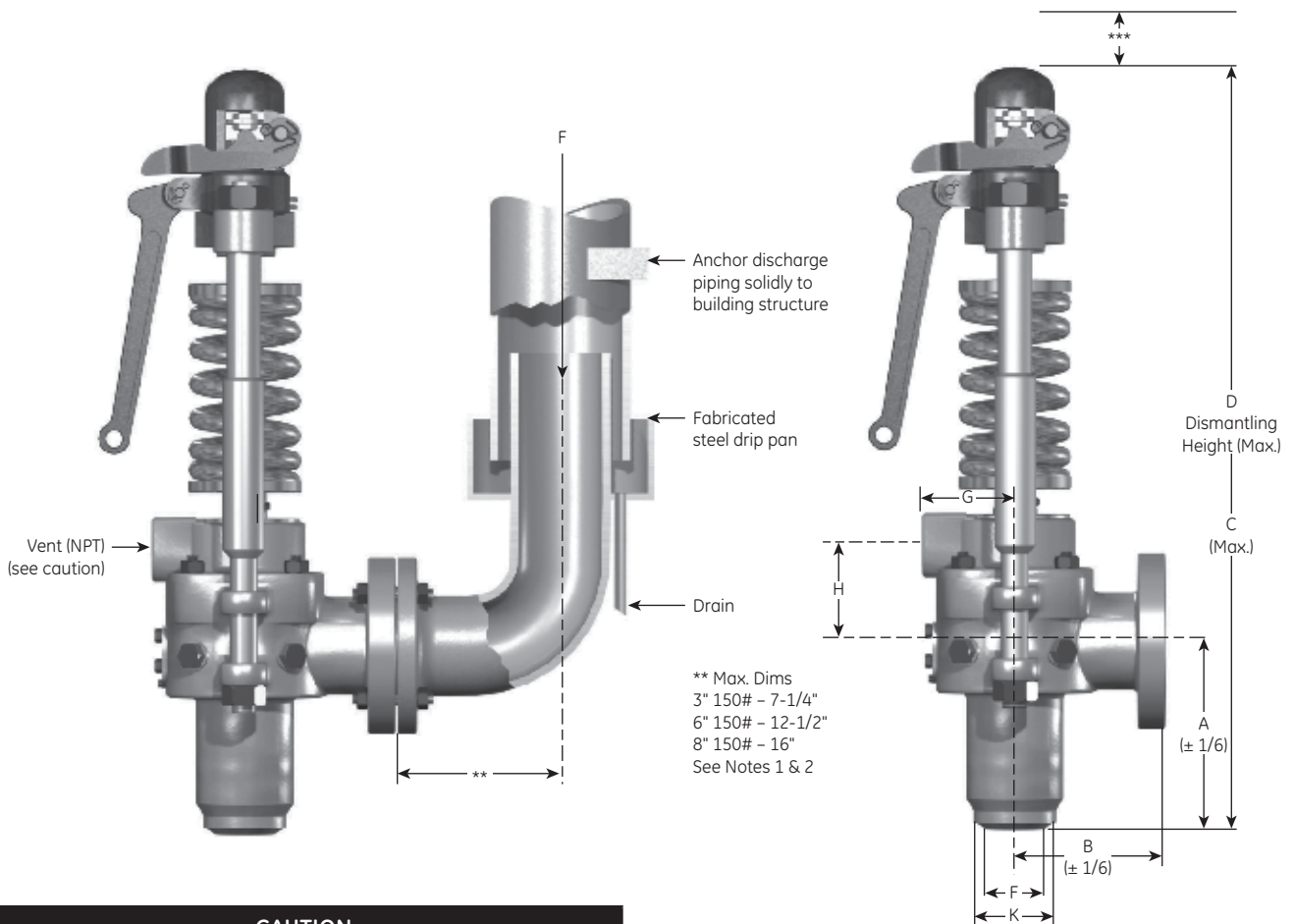
Note:

- Maximum nominal "K" dimension based on standard inlet neck outside diameter. Oversize inlet necks also available (consult factory). Butt weld configuration is dependent upon set pressure and customer's required configuration.

Dimensions & Weights (USCS) (Contd.)



Cap and lever may be rotated 45° horizontally to either side of centerline
Drain location for 4" & 6" valves is on centerline of outlet



CAUTION

Steam flow will occur through the coverplate vent when the valve is in the open position. Do not plug. Pipe to safe location. Refer to maintenance manual for instructions.

Notes:

1. For lever clearance dimensions see page 1700.31.
2. Appropriate considerations should be made for draining any condensate which may accumulate in the cover plate vent piping, body bowl drain, and drip pan elbow arrangement. See maintenance manual.

***The EVT-I and Hydroset require 15" clearance.

The EVT-II requires 17" clearance. And an additional 8" is required when the assisted closing device is utilized.

Dimensions & Weights (USCS) (Contd.)

Welded Inlet – Type 17_9W, class 2500

| Size and Type | All Temperature Classes | | | | | | | | | Temp. Class to 750° | Temp. Class to 1020° | Temp. Class to 1060° | Vent NPT (see caution) | Approx. Weight lbs. |
|---------------|-------------------------|-------|--------|--------|--------|-------|---------|---------|--------|---------------------|----------------------|----------------------|------------------------|---------------------|
| | A in. | B in. | C in. | D in. | E in. | F in. | G in. | H in. | J in. | Max. K in. Note 1 | Max. K in. Note 1 | Max. K in. Note 1 | | |
| 1-1/2" 1719W | 10 | 6-1/2 | 31-1/2 | 37-1/4 | 10-3/4 | 1-1/2 | 3-1/4 | 3-13/16 | 8-7/16 | 3.99 | 3.99 | 4.49 | 1 | 190 |
| 2" 1729W | 10 | 6-1/2 | 34-3/4 | 42 | 10-3/4 | 2 | 3-3/8 | 4-1/8 | 8-7/16 | 4.99 | 4.99 | 5.49 | 1-1/4 | 200 |
| 2-1/2" 1739W | 12 | 7-1/2 | 41-1/2 | 50 | 15-1/2 | 2-1/2 | 3-7/16 | 5-7/16 | 9-7/16 | 5.99 | 5.99 | 5.99 | 1-1/4 | 400 |
| 3" 1759W | 12 | 7-1/2 | 45 | 55-1/4 | 16 | 3 | 3-15/16 | 5-1/2 | 9-7/16 | 6.49 | 6.49 | 6.99 | 1-1/2 | 470 |
| 3" 1749W | 12 | 7-1/2 | 46-3/4 | 59 | 16 | 3 | 3-15/16 | 5-1/2 | 9-7/16 | 6.49 | 6.49 | 7.24 | 1-1/2 | 470 |

Welded Inlet – Type 17_0W, class 3000

| Size and Type | All Temperature Classes | | | | | | | | | Temp. Class to 750° | Temp. Class to 1020° | Temp. Class to 1060° | Vent NPT (see caution) | Approx. Weight lbs. |
|---------------|-------------------------|---------|--------|--------|--------|-------|---------|---------|--------|---------------------|----------------------|----------------------|------------------------|---------------------|
| | A in. | B in. | C in. | D in. | E in. | F in. | G in. | H in. | J in. | Max. K in. Note 1 | Max. K in. Note 1 | Max. K in. Note 1 | | |
| 1-1/2" 1710W | 10 | 6-1/2 | 31-1/2 | 37-1/4 | 10-3/4 | 1-1/2 | 3-1/4 | 3-13/16 | 8-7/16 | 4.49 | 4.49 | 4.99 | 1 | 190 |
| 2" 1720W | 10 | 6-1/2 | 34-3/4 | 42 | 10-3/4 | 2 | 3-3/8 | 4-1/8 | 8-7/16 | 4.99 | 4.99 | 5.49 | 1-1/4 | 200 |
| 2-1/2" 1730W | 10 | 7-1/2 | 43-1/2 | 54 | 15-1/2 | 2-1/2 | 3-7/16 | 5-7/16 | 9-7/16 | 5.99 | 5.99 | 6.49 | 1-1/4 | 400 |
| 3" 1750W | 12 | 7-1/2 | 47 | 59-1/4 | 16 | 3 | 3-15/16 | 5-1/2 | 9-7/16 | 6.49 | 6.49 | 7.24 | 1-1/2 | 480 |
| 3" 1740W | 12 | 7-1/2 | 47 | 59-1/4 | 16 | 3 | 3-15/16 | 5-1/2 | 9-7/16 | 6.74 | 6.74 | 7.49 | 1-1/2 | 480 |
| 4" 1760W | 12 | 9-11/16 | 65-1/8 | 76 | 22-3/4 | 4 | 5-13/16 | 8-1/8 | 8-3/16 | 10.49 | 10.49 | 10.49 | 2 | 1250 |

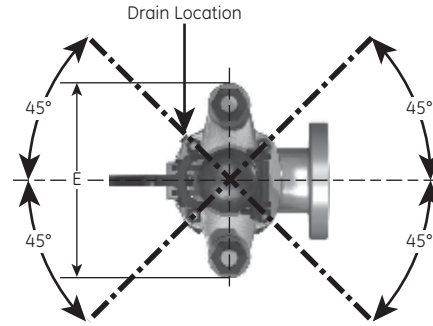
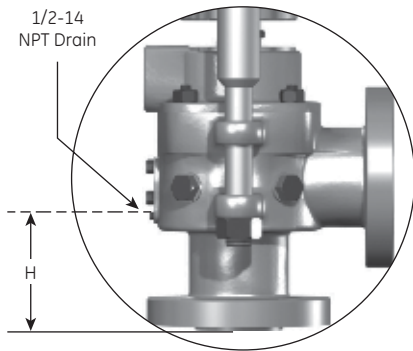
Welded Inlet – Type 17_3W, class 4500

| Size and Type | All Temperature Classes | | | | | | | | | Temp. Class to 750° | Temp. Class to 1020° | Temp. Class to 1060° | Vent NPT (see caution) | Approx. Weight lbs. |
|---------------|-------------------------|-------|--------|--------|--------|-------|---------|---------|---------|---------------------|----------------------|----------------------|------------------------|---------------------|
| | A in. | B in. | C in. | D in. | E in. | F in. | G in. | H in. | J in. | Max. K in. Note 1 | Max. K in. Note 1 | Max. K in. Note 1 | | |
| 1-1/2" 1713W | 10 | 6-1/2 | 34-3/4 | 42 | 10-3/4 | 1-1/2 | 3-1/4 | 3-43/64 | 8-7/16 | 5.49 | 5.49 | 5.49 | 1-1/4 | 250 |
| 2" 1723W | 10 | 7-1/2 | 45-1/4 | 55-3/4 | 15-1/2 | 2 | 3-7/16 | 5-7/16 | 9-7/16 | 6.49 | 6.49 | 6.49 | 1-1/2 | 375 |
| 2-1/2" 1733W | 12 | 7-1/2 | 51-3/4 | 65-1/2 | 16 | 2-1/2 | 3-15/16 | 5-1/2 | 9-7/16 | 6.99 | 6.99 | 6.99 | 1-1/2 | 475 |
| 3" 1753W | 14 | 8 | 56-1/2 | 70-1/2 | 19-1/4 | 3 | 4-5/16 | 5-5/8 | 11-7/16 | 7.99 | 7.99 | 7.99 | 1-1/2 | 575 |
| 3" 1743W | 14 | 8 | 58 | 70-1/2 | 19-1/4 | 3 | 4-5/16 | 5-5/8 | 11-7/16 | 7.99 | 7.99 | 7.99 | 1-1/2 | 600 |

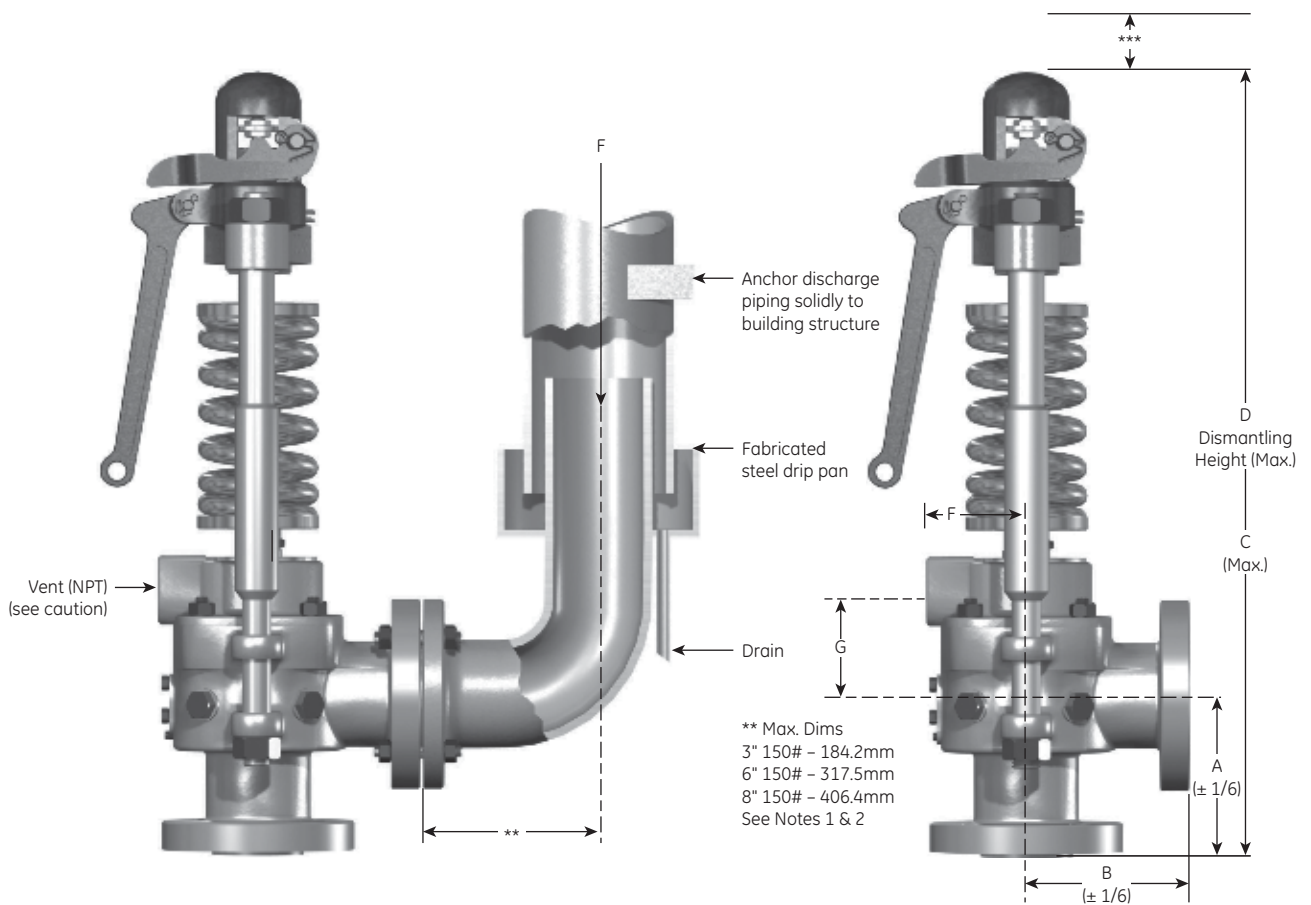
Note:

1. Maximum nominal "K" dimension based on standard inlet neck outside diameter. Oversize inlet necks also available (consult factory).
Butt weld configuration is dependent upon set pressure and customer's required configuration.

Dimensions & Weights (USCS) (Contd.)



Cap and lever may be rotated 45° horizontally to either side of centerline
 Drain location for 4" & 6" valves is on centerline of outlet



CAUTION

Steam flow will occur through the coverplate vent when the valve is in the open position. Do not plug. Pipe to safe location. Refer to maintenance manual for instructions.

***The EVT-I and Hydroset require 15" clearance.

The EVT-II requires 17" clearance. And an additional 8" is required when the assisted closing device is utilized.

Notes:

1. For lever clearance dimensions see page 1700.31.
2. Appropriate considerations should be made for draining any condensate which may accumulate in the cover plate vent piping, body bowl drain, and drip pan elbow arrangement. See maintenance manual.

Dimensions & Weights (Metric)

Flanged Inlet – Type 17_5, class 600

| Size and Type | All Temperature Classes | | | | | | | | Vent NPT (see caution) | Approx. Weight kg |
|---------------|-------------------------|---------|---------|---------|---------|---------|---------|---------|---------------------------|----------------------|
| | A mm | B mm | C mm | D mm | E mm | F mm | G mm | H mm | | |
| 1-1/2" 1715 | 152.4 | 133.4 | 603.3 | 711.2 | 228.6 | 82.6 | 90.5 | 125.4 | 1 | 38.6 |
| 2" 1725 | 177.8 | 139.7 | 723.9 | 876.3 | 260.4 | 85.7 | 117.5 | 150.8 | 1-1/4 | 45.4 |
| 2-1/2" 1735 | 209.6 | 177.8 | 850.9 | 1035.1 | 330.2 | 87.3 | 122.2 | 157.2 | 1-1/4 | 108.9 |
| 3" 1755 | 215.9 | 177.8 | 946.2 | 1136.7 | 393.7 | 100.0 | 139.7 | 150.8 | 1-1/2 | 129.3 |
| 3" 1745 | 215.9 | 177.8 | 946.2 | 1136.7 | 393.7 | 100.0 | 139.7 | 150.8 | 1-1/2 | 129.3 |
| 4" 1765 | 228.6 | 203.2 | 1035.1 | 1251.0 | 393.7 | 147.6 | 174.6 | 163.5 | 2 | 215.5 |
| 4" 1775Q | 222.3 | 228.6 | 1149.4 | 1403.4 | 482.6 | 152.4 | 207.9 | 134.9 | 2 | 249.5 |
| 6"1775Q | 322.3 | 228.6 | 1251.0 | 1505.0 | 482.6 | 152.4 | 207.9 | 235.0 | 2 | 272.2 |
| 6"1785 | 271.5 | 254.0 | 1282.7 | 1593.9 | 514.4 | 184.2 | 214.3 | 184.2 | 2-1/2 | 340.2 |
| 6"1705R | 271.5 | 254.0 | 1403.4 | 1809.8 | 514.4 | 184.2 | 214.3 | 184.2 | 2-1/2 | 347.0 |
| 6" 1705RR | 271.5 | 254.0 | 1403.4 | 1809.8 | 514.4 | 184.2 | 214.3 | 184.2 | 2-1/2 | 347.0 |

Flanged Inlet – Type 17_6, class 900

| Size and Type | All Temperature Classes | | | | | | | | Vent NPT (see caution) | Approx. Weight kg |
|---------------|-------------------------|---------|---------|---------|---------|---------|---------|---------|---------------------------|----------------------|
| | A mm | B mm | C mm | D mm | E mm | F mm | G mm | H mm | | |
| 1-1/2" 1716 | 152.4 | 133.4 | 603.3 | 711.2 | 228.6 | 82.6 | 90.5 | 125.4 | 1 | 40.8 |
| 2" 1726 | 177.8 | 139.7 | 755.7 | 901.7 | 260.4 | 85.7 | 117.5 | 150.8 | 1-1/4 | 49.9 |
| 2-1/2" 1736 | 209.6 | 177.8 | 870.0 | 1066.8 | 330.2 | 87.3 | 122.2 | 157.2 | 1-1/4 | 113.4 |
| 3" 1756 | 219.1 | 177.8 | 977.9 | 1187.5 | 393.7 | 100.0 | 139.7 | 154.0 | 1-1/2 | 174.6 |
| 3" 1746 | 219.1 | 177.8 | 977.9 | 1187.5 | 393.7 | 100.0 | 139.7 | 154.0 | 1-1/2 | 174.6 |
| 4" 1766 | 231.8 | 203.2 | 1085.9 | 1352.6 | 393.7 | 147.6 | 174.6 | 166.7 | 2 | 226.8 |
| 4" 1776Q | 228.6 | 228.6 | 1206.5 | 1511.3 | 482.6 | 152.4 | 207.9 | 141.3 | 2 | 260.8 |
| 6"1776Q | 330.2 | 228.6 | 1308.1 | 1612.9 | 482.6 | 152.4 | 207.9 | 236.5 | 2 | 290.3 |
| 6"1786-HP | 392.1 | 266.7 | 1636.7 | 1814.5 | 546.1 | 179.4 | 217.5 | 279.4 | 2-1/2 | 544.0 |
| 6"1706R-HP | 392.1 | 266.7 | 1636.7 | 1814.5 | 546.1 | 179.4 | 217.5 | 279.4 | 2-1/2 | 544.0 |
| 6" 1706RR-HP | 392.1 | 266.7 | 1636.7 | 1814.5 | 546.1 | 179.4 | 217.5 | 279.4 | 2-1/2 | 544.0 |

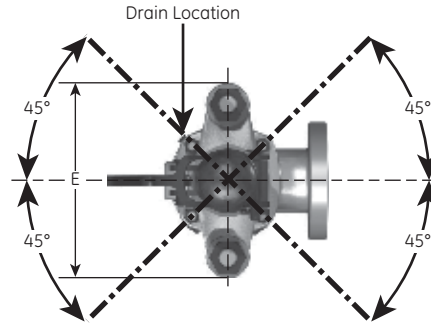
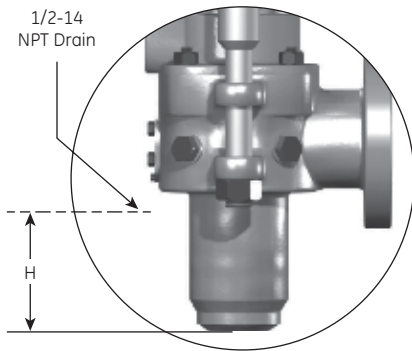
Flanged Inlet – Type 17_7, class 1500

| Size and Type | All Temperature Classes | | | | | | | | Vent NPT (see caution) | Approx. Weight kg |
|---------------|-------------------------|---------|---------|---------|---------|---------|---------|---------|---------------------------|----------------------|
| | A mm | B mm | C mm | D mm | E mm | F mm | G mm | H mm | | |
| 1-1/2" 1717 | 152.4 | 133.4 | 647.7 | 800.1 | 228.6 | 82.6 | 90.5 | 125.4 | 1 | 40.8 |
| 2" 1727 | 177.8 | 139.7 | 793.8 | 977.9 | 260.4 | 85.7 | 117.5 | 150.8 | 1-1/4 | 63.5 |
| 2-1/2" 1737 | 209.6 | 177.8 | 870.0 | 1066.8 | 330.2 | 87.3 | 122.2 | 157.2 | 1-1/4 | 113.4 |
| 3" 1757 | 228.6 | 177.8 | 1028.7 | 1295.4 | 393.7 | 100.0 | 139.7 | 188.9 | 1-1/2 | 181.4 |
| 3" 1747 | 228.6 | 177.8 | 1028.7 | 1295.4 | 393.7 | 100.0 | 139.7 | 163.5 | 1-1/2 | 181.4 |
| 4" 1767 | 241.3 | 203.2 | 1143.0 | 1460.5 | 393.7 | 147.6 | 174.6 | 176.2 | 2 | 272.2 |
| 6" 1777Q | 362.0 | 254.0 | 1460.5 | 1866.9 | 501.7 | 184.2 | 214.3 | 274.6 | 2-1/2 | 385.6 |
| 6" 1787 | 419.1 | 266.7 | 1736.7 | 1978.0 | 546.1 | 179.4 | 217.5 | 306.4 | 2-1/2 | 581.0 |
| 6" 1707R | 419.1 | 266.7 | 1736.7 | 1978.0 | 546.1 | 179.4 | 217.5 | 306.4 | 2-1/2 | 595.0 |
| 6" 1707RR | 419.1 | 266.7 | 1734.7 | 1978.0 | 546.1 | 179.4 | 217.5 | 306.4 | 2-1/2 | 595.0 |

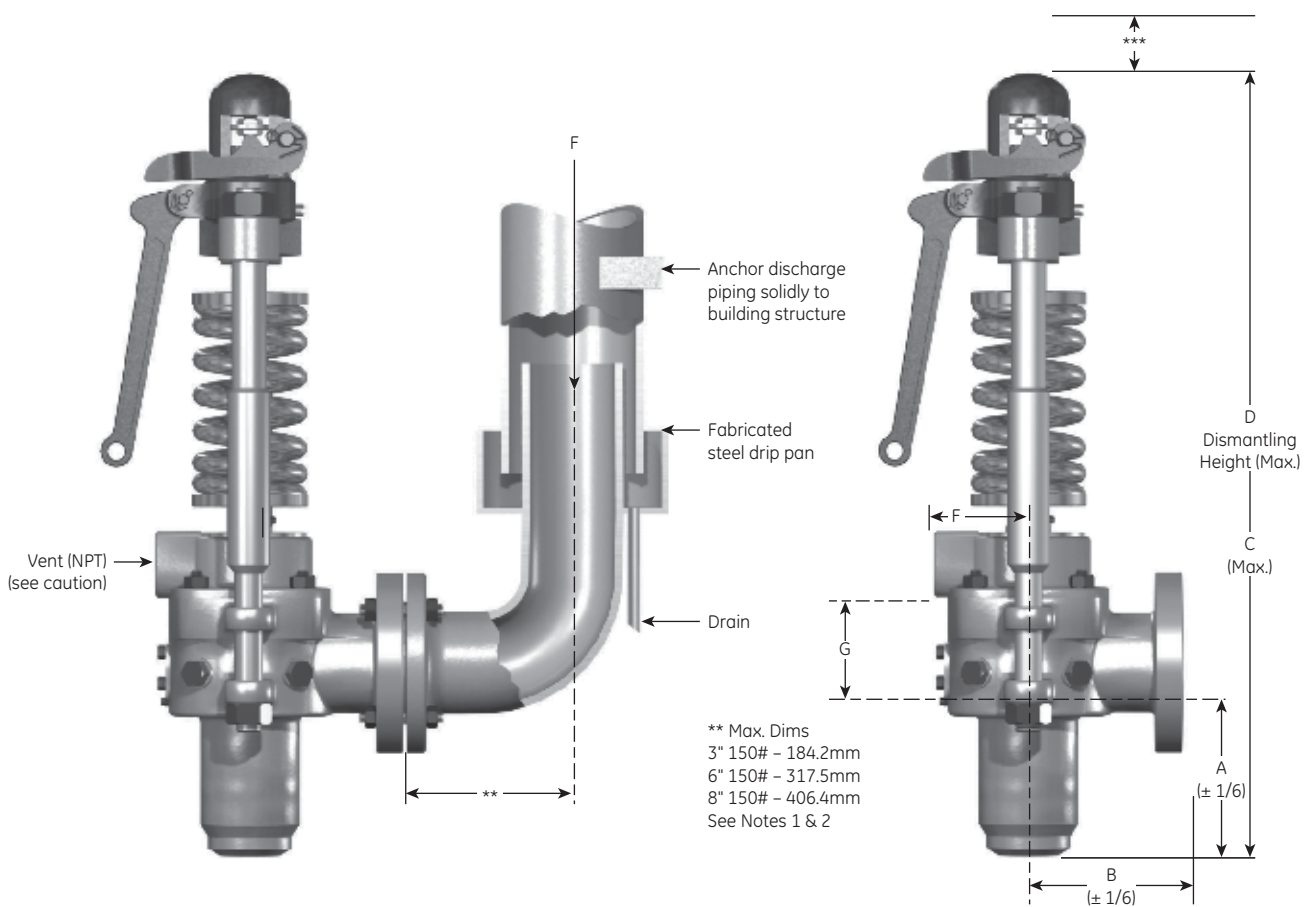
Flanged Inlet – Type 17_9, class 2500

| Size and Type | All Temperature Classes | | | | | | | | Vent NPT (see caution) | Approx. Weight kg |
|---------------|-------------------------|---------|---------|---------|---------|---------|---------|---------|---------------------------|----------------------|
| | A mm | B mm | C mm | D mm | E mm | F mm | G mm | H mm | | |
| 1-1/2" 1719 | 222.3 | 165.1 | 768.4 | 914.4 | 273.1 | 82.6 | 96.8 | 182.6 | 1 | 91.0 |
| 2" 1729 | 222.3 | 165.1 | 850.9 | 1035.1 | 273.1 | 85.7 | 104.8 | 182.6 | 1-1/4 | 91.0 |
| 2-1/2" 1739 | 273.1 | 190.5 | 1022.4 | 1289.1 | 393.7 | 87.3 | 138.1 | 207.9 | 1-1/2 | 181.4 |
| 3" 1759 | 279.4 | 190.5 | 1117.6 | 1378.4 | 406.4 | 100.0 | 139.7 | 214.3 | 1-1/2 | 226.8 |
| 3" 1749 | 279.4 | 190.5 | 1162.1 | 1473.2 | 406.4 | 100.0 | 139.7 | 214.3 | 1-1/2 | 226.8 |

Dimensions & Weights (Metric) (Contd.)



Cap and lever may be rotated 45° horizontally to either side of centerline
Drain location for 4" & 6" valves is on centerline of outlet



CAUTION

Steam flow will occur through the coverplate vent when the valve is in the open position. Do not plug. Pipe to safe location. Refer to maintenance manual for instructions.

Notes:

1. For lever clearance dimensions see page 1700.31.
2. Appropriate considerations should be made for draining any condensate which may accumulate in the cover plate vent piping, body bowl drain, and drip pan elbow arrangement. See maintenance manual.

***The EVT-I and Hydroset require 381mm clearance.

The EVT-II requires 432mm clearance. And an additional 203mm is required when the assisted closing device is utilized.

Dimensions & Weights (Metric) (Contd.)

Flanged Inlet – Type 17_5W, class 600

| Size and Type | All Temperature Classes | | | | | | | | | Temp. Class to 399°C | Temp. Class to 549°C | Temp. Class to 571°C | Vent NPT (see caution) | Approx. Weight kg |
|---------------|-------------------------|-------|--------|--------|-------|-------|-------|-------|-------|----------------------|----------------------|----------------------|------------------------|-------------------|
| | A mm | B mm | C mm | D mm | E mm | F mm | G mm | H mm | J mm | Max. K in. Note 1 | Max. K in. Note 1 | Max. K in. Note 1 | | |
| 1-1/2" 1715W | 254.0 | 133.4 | 704.9 | 812.8 | 228.6 | 38.1 | 82.6 | 90.5 | 227.0 | 3.99 | 3.99 | 3.99 | 1 | 38.6 |
| 2" 1725W | 254.0 | 139.7 | 800.1 | 952.5 | 260.4 | 50.8 | 85.7 | 117.5 | 227.0 | 3.99 | 3.99 | 3.99 | 1-1/4 | 45.4 |
| 2-1/2" 1735W | 304.8 | 177.8 | 946.2 | 1130.3 | 330.2 | 63.5 | 87.3 | 122.2 | 252.4 | 4.49 | 4.98 | 4.98 | 1-1/4 | 108.9 |
| 3" 1755W | 304.8 | 177.8 | 1035.1 | 1225.6 | 393.7 | 76.2 | 100.0 | 139.7 | 239.7 | 5.49 | 5.49 | 5.49 | 1-1/2 | 118.0 |
| 3" 1745W | 304.8 | 177.8 | 1035.1 | 1225.6 | 393.7 | 76.2 | 100.0 | 139.7 | 239.7 | 5.74 | 5.74 | 5.74 | 1-1/2 | 118.0 |
| 4" 1765W | 304.8 | 203.2 | 1111.3 | 1327.2 | 393.7 | 101.6 | 147.6 | 174.6 | 239.7 | 6.99 | 6.99 | 6.99 | 2 | 215.5 |
| 4" 1775QW | 304.8 | 228.6 | 1231.9 | 1485.9 | 482.6 | 104.8 | 152.4 | 208.0 | 217.5 | 7.24 | 7.24 | 7.24 | 2 | 249.5 |
| 6"1775QW | 304.8 | 228.6 | 1231.9 | 1485.9 | 482.6 | 152.4 | 152.4 | 208.0 | 217.5 | 8.74 | 8.74 | 8.74 | 2 | 272.2 |
| 6"1785W | 304.8 | 254.0 | 1314.5 | 1625.6 | 514.4 | 152.4 | 184.2 | 214.3 | 217.5 | 8.74 | 8.74 | 8.74 | 2-1/2 | 340.2 |
| 6"1705RW | 304.8 | 254.0 | 1428.8 | 1835.2 | 514.4 | 152.4 | 184.2 | 214.3 | 217.5 | 8.74 | 8.74 | 8.74 | 2-1/2 | 347.0 |
| 6" 1705RRW | 304.8 | 254.0 | 1428.8 | 1835.2 | 514.4 | 152.4 | 184.2 | 214.3 | 217.5 | 8.74 | 8.74 | 8.74 | 2-1/2 | 347.0 |

Flanged Inlet – Type 17_6W, class 900

| Size and Type | All Temperature Classes | | | | | | | | | Temp. Class to 399°C | Temp. Class to 549°C | Temp. Class to 571°C | Vent NPT (see caution) | Approx. Weight kg |
|---------------|-------------------------|-------|--------|--------|-------|-------|-------|-------|-------|----------------------|----------------------|----------------------|------------------------|-------------------|
| | A mm | B mm | C mm | D mm | E mm | F mm | G mm | H mm | J mm | Max. K in. Note 1 | Max. K in. Note 1 | Max. K in. Note 1 | | |
| 1-1/2" 1716W | 254.0 | 133.4 | 704.9 | 812.8 | 228.6 | 38.1 | 82.6 | 90.5 | 227.0 | 3.99 | 3.99 | 3.99 | 1 | 40.8 |
| 2" 1726W | 254.0 | 139.7 | 831.9 | 977.9 | 260.4 | 50.8 | 85.7 | 117.5 | 227.0 | 3.99 | 3.99 | 3.99 | 1-1/4 | 50.0 |
| 2-1/2" 1736W | 304.8 | 177.8 | 965.2 | 1162.1 | 330.2 | 63.5 | 87.3 | 122.2 | 252.4 | 4.49 | 4.98 | 4.98 | 1-1/4 | 113.4 |
| 3" 1756W | 304.8 | 177.8 | 1060.5 | 1276.4 | 393.7 | 76.2 | 100.0 | 139.7 | 239.7 | 5.49 | 5.49 | 5.49 | 1-1/2 | 163.3 |
| 3" 1746W | 304.8 | 177.8 | 1060.5 | 1276.4 | 393.7 | 76.2 | 100.0 | 139.7 | 239.7 | 5.74 | 5.74 | 5.74 | 1-1/2 | 163.3 |
| 4" 1766W | 304.8 | 203.2 | 1155.7 | 1422.4 | 393.7 | 101.6 | 147.6 | 174.6 | 239.7 | 6.99 | 6.99 | 6.99 | 2 | 226.8 |
| 4" 1776QW | 304.8 | 228.6 | 1282.7 | 1587.5 | 482.6 | 104.8 | 152.4 | 208.0 | 217.5 | 7.24 | 7.24 | 7.24 | 2 | 260.8 |
| 6"1776QW | 304.8 | 228.6 | 1282.7 | 1587.5 | 482.6 | 152.4 | 152.4 | 208.0 | 217.5 | 8.74 | 8.74 | 8.74 | 2 | 290.3 |
| 6"1786W-HP | 381.0 | 266.7 | 1625.6 | 1803.4 | 546.1 | 152.4 | 184.2 | 214.3 | 268.3 | 8.74 | 8.74 | 8.74 | 2-1/2 | 499.0 |
| 6"1706RW-HP | 381.0 | 266.7 | 1625.6 | 1803.4 | 546.1 | 152.4 | 179.4 | 214.3 | 268.3 | 8.74 | 8.74 | 8.74 | 2-1/2 | 513.5 |
| 6" 1706RRW-HP | 381.0 | 266.7 | 1625.6 | 1803.4 | 546.1 | 152.4 | 179.4 | 214.3 | 268.3 | 8.74 | 8.74 | 8.74 | 2-1/2 | 513.5 |

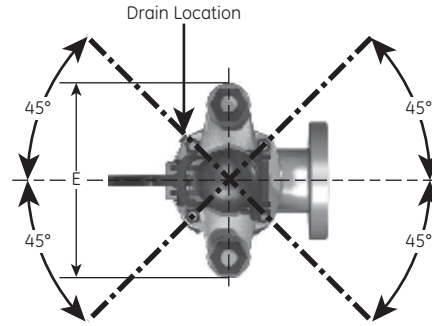
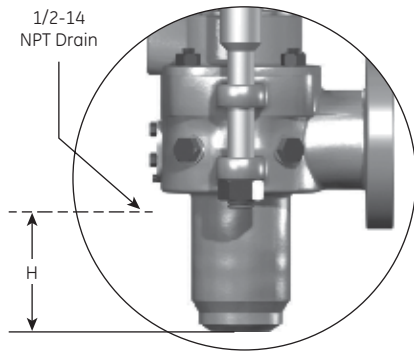
Flanged Inlet – Type 17_7W, class 1500

| Size and Type | All Temperature Classes | | | | | | | | | Temp. Class to 399°C | Temp. Class to 549°C | Temp. Class to 571°C | Vent NPT (see caution) | Approx. Weight lbs. |
|---------------|-------------------------|-------|--------|--------|-------|-------|-------|-------|-------|----------------------|----------------------|----------------------|------------------------|---------------------|
| | A mm | B mm | C mm | D mm | E mm | F mm | G mm | H mm | J mm | Max. K in. Note 1 | Max. K in. Note 1 | Max. K in. Note 1 | | |
| 1-1/2" 1717W | 254.0 | 133.4 | 749.3 | 901.7 | 228.6 | 38.1 | 82.6 | 92.8 | 227.0 | 3.99 | 3.99 | 3.99 | 1 | 40.8 |
| 2" 1727W | 254.0 | 139.7 | 870.0 | 1054.1 | 260.4 | 50.8 | 85.7 | 94.4 | 227.0 | 4.49 | 4.49 | 4.49 | 1-1/4 | 63.5 |
| 2-1/2" 1737W | 304.8 | 177.8 | 965.2 | 1162.1 | 330.2 | 63.5 | 87.3 | 124.6 | 252.4 | 4.99 | 4.99 | 5.49 | 1-1/2 | 113.4 |
| 3" 1757W | 304.8 | 177.8 | 1104.9 | 1498.6 | 393.7 | 76.2 | 100.0 | 142.0 | 239.7 | 5.49 | 5.49 | 6.49 | 1-1/2 | 172.4 |
| 3" 1747W | 304.8 | 177.8 | 1104.9 | 1498.6 | 393.7 | 76.2 | 100.0 | 142.0 | 239.7 | 5.74 | 5.74 | 6.49 | 1-1/2 | 172.4 |
| 4" 1767W | 304.8 | 203.2 | 1206.5 | 1524.0 | 393.7 | 101.6 | 147.6 | 174.6 | 239.7 | 6.99 | 6.99 | 7.24 | 2 | 238.1 |
| 6"1777QW | 304.8 | 254.0 | 1403.4 | 1568.5 | 501.7 | 152.4 | 184.2 | 214.3 | 217.5 | 8.74 | 8.74 | 8.74 | 2-1/2 | 356.1 |
| 6"1787W | 406.4 | 266.7 | 1724.0 | 1965.3 | 546.1 | 152.4 | 179.4 | 293.7 | 293.7 | 8.74 | 8.74 | 8.74 | 2-1/2 | 499.0 |
| 6"1707RW | 406.4 | 266.7 | 1724.0 | 1965.3 | 546.1 | 152.4 | 179.4 | 293.7 | 293.7 | 8.74 | 8.74 | 8.74 | 2-1/2 | 513.5 |
| 6" 1707RRW | 406.4 | 266.7 | 1724.0 | 1965.3 | 546.1 | 152.4 | 179.4 | 293.7 | 293.7 | 8.74 | 8.74 | 8.74 | 2-1/2 | 513.5 |

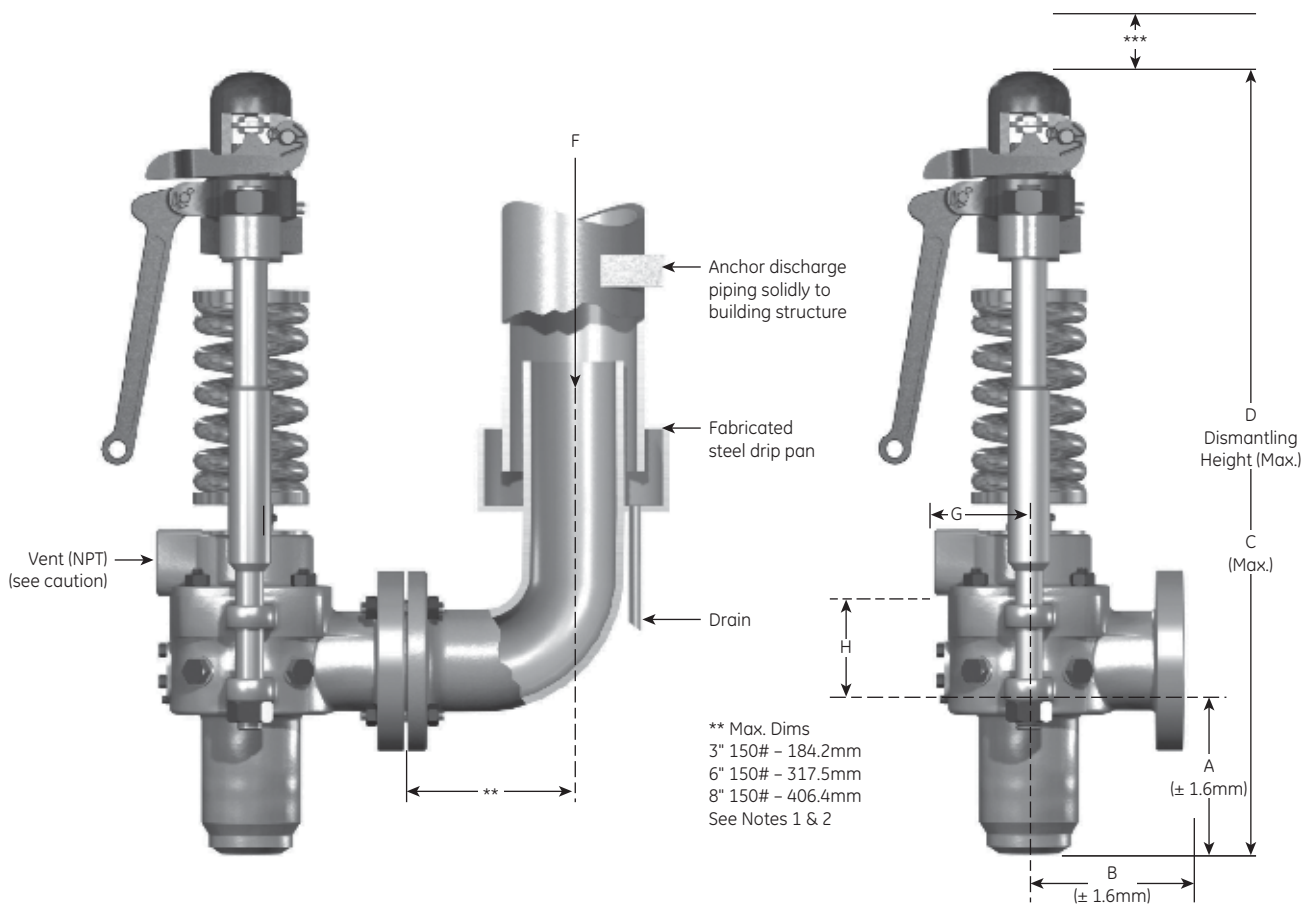
Note:

- Maximum nominal "K" dimension based on standard inlet neck outside diameter. Oversize inlet necks also available (consult factory).
Butt weld configuration is dependent upon set pressure and customer's required configuration.

Dimensions & Weights (Metric) (Contd.)



Cap and lever may be rotated 45° horizontally to either side of centerline
Drain location for 4" & 6" valves is on centerline of outlet



CAUTION

Steam flow will occur through the coverplate vent when the valve is in the open position. Do not plug. Pipe to safe location. Refer to maintenance manual for instructions.

Notes:

1. For lever clearance dimensions see page 1700.31.
2. Appropriate considerations should be made for draining any condensate which may accumulate in the cover plate vent piping, body bowl drain, and drip pan elbow arrangement. See maintenance manual.

***The EVT-I and Hydroset require 381mm clearance.

The EVT-II requires 432mm clearance. And an additional 203mm is required when the assisted closing device is utilized.

Dimensions & Weights (Metric) (Contd.)

Welded Inlet – Type 17_9W, class 2500

| Size and Type | All Temperature Classes | | | | | | | | | Temp. Class to 399°C | Temp. Class to 549°C | Temp. Class to 571°C | Vent NPT (see caution) | Approx. Weight kg |
|---------------|-------------------------|-------|--------|--------|-------|------|-------|-------|-------|----------------------|----------------------|----------------------|------------------------|-------------------|
| | A mm | B mm | C mm | D mm | E mm | F mm | G mm | H mm | J mm | Max. K in. Note 1 | Max. K in. Note 1 | Max. K in. Note 1 | | |
| 1-1/2" 1719W | 254.0 | 165.1 | 800.1 | 946.2 | 273.1 | 38.1 | 82.6 | 96.8 | 214.3 | 3.99 | 3.99 | 4.49 | 1 | 86.2 |
| 2" 1729W | 254.0 | 165.1 | 882.7 | 1066.8 | 273.1 | 50.8 | 85.7 | 104.8 | 214.3 | 4.99 | 4.99 | 5.49 | 1-1/4 | 90.7 |
| 2-1/2" 1739W | 304.8 | 190.5 | 1054.1 | 1270.0 | 393.7 | 63.5 | 87.3 | 138.1 | 239.7 | 5.99 | 5.99 | 5.99 | 1-1/2 | 181.4 |
| 3" 1759W | 304.8 | 190.5 | 1143.0 | 1403.4 | 406.4 | 76.2 | 100.0 | 139.7 | 239.7 | 6.49 | 6.49 | 6.99 | 1-1/2 | 213.2 |
| 3" 1749W | 304.8 | 190.5 | 1187.5 | 1498.6 | 406.4 | 76.2 | 100.0 | 139.7 | 239.7 | 6.49 | 6.49 | 7.24 | 1-1/2 | 213.2 |

Welded Inlet – Type 17_0W, class 3000

| Size and Type | All Temperature Classes | | | | | | | | | Temp. Class to 399°C | Temp. Class to 549°C | Temp. Class to 571°C | Vent NPT (see caution) | Approx. Weight kg |
|---------------|-------------------------|-------|--------|--------|-------|-------|-------|-------|-------|----------------------|----------------------|----------------------|------------------------|-------------------|
| | A mm | B mm | C mm | D mm | E mm | F mm | G mm | H mm | J mm | Max. K in. Note 1 | Max. K in. Note 1 | Max. K in. Note 1 | | |
| 1-1/2" 1710W | 254.0 | 165.1 | 800.1 | 946.2 | 273.1 | 38.1 | 82.6 | 96.8 | 214.3 | 4.49 | 4.49 | 4.99 | 1 | 86.2 |
| 2" 1720W | 254.0 | 165.1 | 882.7 | 1066.8 | 273.1 | 50.8 | 85.7 | 104.8 | 214.3 | 4.99 | 4.99 | 5.49 | 1-1/4 | 90.7 |
| 2-1/2" 1730W | 304.8 | 191.0 | 1104.9 | 1371.6 | 393.7 | 63.5 | 87.3 | 138.1 | 239.7 | 5.99 | 5.99 | 6.49 | 1-1/4 | 181.4 |
| 3" 1750W | 304.8 | 191.0 | 1193.8 | 1505.0 | 406.4 | 76.2 | 100.0 | 139.7 | 239.7 | 6.49 | 6.49 | 7.24 | 1-1/2 | 217.7 |
| 3" 1740W | 304.8 | 191.0 | 1193.8 | 1505.0 | 406.4 | 76.2 | 100.0 | 139.7 | 239.7 | 6.74 | 6.74 | 7.49 | 1-1/2 | 217.7 |
| 4" 1760W | 304.8 | 246.0 | 1654.2 | 1930.4 | 577.9 | 101.6 | 147.6 | 206.4 | 208.0 | 10.49 | 10.49 | 10.49 | 2 | 567.0 |

Welded Inlet – Type 17_3W, class 4500

| Size and Type | All Temperature Classes | | | | | | | | | Temp. Class to 399°C | Temp. Class to 549°C | Temp. Class to 571°C | Vent NPT (see caution) | Approx. Weight kg |
|---------------|-------------------------|-------|--------|--------|-------|------|-------|-------|-------|----------------------|----------------------|----------------------|------------------------|-------------------|
| | A mm | B mm | C mm | D mm | E mm | F mm | G mm | H mm | J mm | Max. K in. Note 1 | Max. K in. Note 1 | Max. K in. Note 1 | | |
| 1-1/2" 1713W | 254.0 | 165.1 | 882.7 | 1066.8 | 273.1 | 38.1 | 82.6 | 93.2 | 214.3 | 5.49 | 5.49 | 5.49 | 1-1/4 | 113.4 |
| 2" 1723W | 304.8 | 190.5 | 1149.4 | 1416.1 | 393.7 | 50.8 | 87.3 | 138.1 | 239.7 | 6.49 | 6.49 | 6.49 | 1-1/2 | 170.1 |
| 2-1/2" 1733W | 304.8 | 190.5 | 1314.5 | 1663.7 | 406.4 | 63.5 | 100.0 | 139.7 | 239.7 | 6.99 | 6.99 | 6.99 | 1-1/2 | 215.5 |
| 3" 1753W | 355.6 | 203.2 | 1435.1 | 1790.7 | 489.0 | 76.2 | 109.5 | 142.9 | 290.5 | 7.99 | 7.99 | 7.99 | 1-1/2 | 260.8 |
| 3" 1743W | 355.6 | 203.2 | 1473.2 | 1841.5 | 489.0 | 76.2 | 109.5 | 142.9 | 290.5 | 7.99 | 7.99 | 7.99 | 1-1/2 | 272.2 |

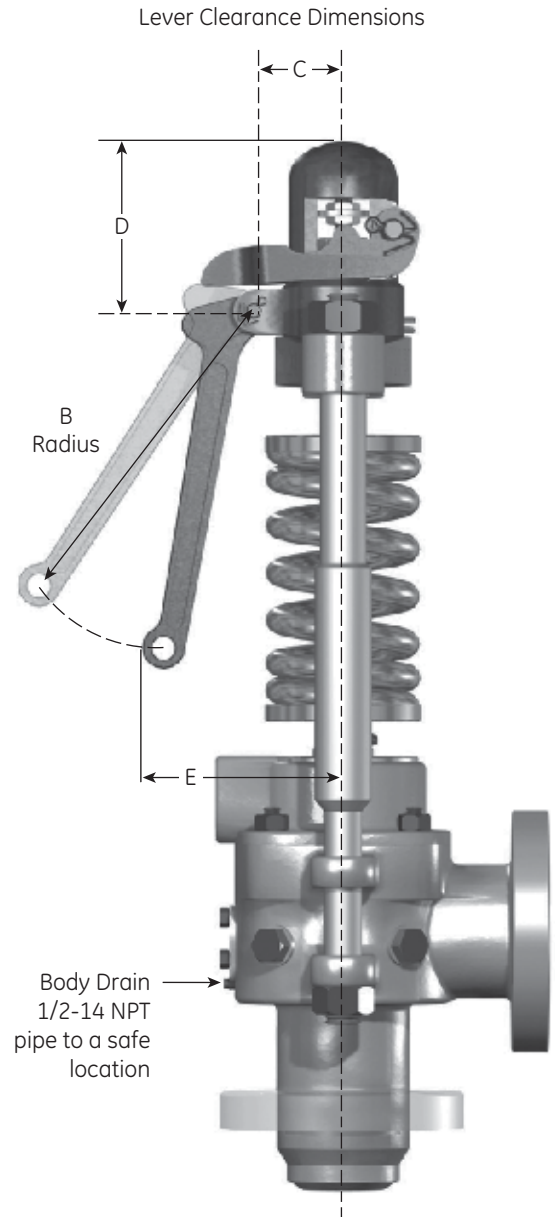
Note:

- Maximum nominal "K" dimension based on standard inlet neck outside diameter. Oversize inlet necks also available (consult factory).
Butt weld configuration is dependent upon set pressure and customer's required configuration.

Dimensions & Weights (Metric) (Contd.)

Lever Clearance Dimensions (US & metric units)

| SIZE & TYPE | | B in. mm | C in. mm | D in. mm | E in. mm |
|--|--|----------------|----------------|----------------|----------------|
| 1-1/2-1715, 1716, 1717 | | 8 | 1-15/16 | 3-9/16 | 4-1/8 |
| 2-1725 | | 203.2 | 49.2 | 90.5 | 104.8 |
| 1-1/2-1710, 1719 | | 11-3/4 | 2-1/2 | 4-1/8 | 3-7/8 |
| 2-1726, 1727 | 2-1/2 -1735 | 298.5 | 63.5 | 104.8 | 98.4 |
| 1-1/2-1713 | | 11-3/4 | 2-11/16 | 4-3/8 | 5-7/8 |
| 2-1720, 1729 | 2-1/2-1736, 1737 | 298.5 | 68.2 | 111.1 | 149.2 |
| 4-1760 | | 32 | 3-5/8 | 6-1/4 | 9-1/4 |
| | | 812.8 | 92.1 | 158.8 | 235.0 |
| 2-1723 | 3-1745, 1746, 1747, | 18-1/8 | 3-1/16 | 5-5/8 | 8-5/16 |
| 2-1/2-1730, 1739 | 1755, 1756, 1757 4-1765, 1766, 1767 | 460.4 | 77.8 | 142.9 | 211.1 |
| 2-1/2-1733 | 3-1740, 1743 | 18-1/4 | 3-5/8 | 6-1/4 | 9-1/8 |
| | 1749, 1750, 1753, 1759 | 463.6 | 92.1 | 158.8 | 231.8 |
| 4-1775Q | | 18-1/4 | 3-5/8 | 6-1/4 | 7-1/8 |
| 6-1775Q | | 463.6 | 92.1 | 158.8 | 181.0 |
| 6-1705R, 1706R, 1777Q, 1785, 1786, 1705RR | | 18-1/4 | 3-5/8 | 6-1/4 | 10-7/8 |
| | | 463.6 | 92.1 | 158.8 | 276.2 |
| 4-1776Q | | 22-3/4 | 3-5/8 | 6-1/4 | 7-1/4 |
| 6-1776Q | | 577.9 | 92.1 | 158.8 | 184.1 |
| 6-1706R-HP, 1707R, 1786-HP, 1787 | | 32 | 3-5/8 | 6-1/4 | 9-7/32 |
| 6-1706RR-HP, 6-1707RR | | 812.8 | 92.1 | 158.8 | 234.1 |



Pressure/Temperature (USCS)

Set pressure limits (psig) for 1700 flanged & buttweld safety valves at designated temperature (°F)

Meets ASME B&PVC Section I, (2001 Edition), and ASME B16.34, (1996 Edition)

600 Pressure Class

| Temperature Class Base Material Flanged Base Material ButtWeld Inlet Neck Material ButtWeld (Note 1 and 2) | | | B WC6 WCC A105 | B WC6 WCC A105 | B WC6 WCC A105 | B WC6 WCC A105 | D WC6 WC6 F11 | D WC6 WC6 F11 | D WC6 WC6 F11 | D WC6 WC6 F11 | D WC6 WC6 F11 | D WC6 WC6 F11 | E WC9 WC9 F22 | F WC9 WC9 F22 | G CF8M CF8M F316 |
|--|------------------|------------------------------|-------------------------|-------------------------|-------------------------|-------------------------|------------------------|------------------------|------------------------|------------------------|------------------------|------------------------|------------------------|------------------------|---------------------------|
| Valve Type | Inlet CL_1500 | Outlet Flange (Note 2) | 100- 600°F | 650°F | 700°F | 750°F | 800°F | 850°F | 900°F | 950°F | 1000°F | 1020°F | 1060°F | 1100°F | 1120°F |
| 1715 | Flange | CL_150 | 1210 | 1175 | 1135 | 1065 | 1015 | 975 | 900 | 640 | 430 | 374 | 324 | 220 | 556 |
| | ButtWeld | CL_150 | 1500 | 1500 | 1500 | 1500 | 1500 | 1500 | 1500 | 1500 | 1500 | 1500 | 1500 | 1500 | 1500 |
| 1725 | Flange | CL_150 | 1210 | 1175 | 1135 | 1065 | 1015 | 975 | 900 | 640 | 430 | 374 | 324 | 220 | 556 |
| | ButtWeld | CL_150 | 1500 | 1500 | 1500 | 1500 | 1500 | 1500 | 1500 | 1500 | 1500 | 1500 | 1500 | 1083 | 1500 |
| 1735 | Flange | CL_150 | 1210 | 1175 | 1135 | 1065 | 1015 | 975 | 900 | 640 | 430 | 374 | 324 | 220 | 556 |
| | ButtWeld | CL_150 | 2500 | 2500 | 2500 | 2500 | 2500 | 2500 | 2500 | 2500 | 1830 | 1586 | 1615 | 1096 | 2500 |
| 1755 | Flange | CL_150 | 1210 | 1175 | 1135 | 1065 | 1015 | 875 | 900 | 640 | 430 | 374 | 324 | 220 | 556 |
| | ButtWeld | CL_150 | 2500 | 2500 | 2500 | 2500 | 2500 | 2500 | 2500 | 2500 | 1912 | 1657 | 1431 | 972 | 2459 |
| 1745 | Flange | CL_150 | 1210 | 1175 | 1135 | 1065 | 1015 | 975 | 900 | 640 | 430 | 374 | 324 | 220 | 556 |
| | ButtWeld | CL_150 | 2000 | 2000 | 2000 | 2000 | 2000 | 2000 | 2000 | 2000 | 2000 | 1777 | 1535 | 1042 | 2000 |
| 1765 | Flange | CL_150 | 1015 | 1015 | 1015 | 1015 | 1015 | 975 | 900 | 640 | 430 | 374 | 324 | 220 | 556 |
| | ButtWeld | CL_150 | 1015 | 1015 | 1015 | 1015 | 1015 | 1015 | 1015 | 1015 | 1015 | 1015 | 1015 | 974 | 1015 |
| 4" - 1775Q | Flange | CL_150 | 1210 | 1175 | 1135 | 1065 | 1015 | 975 | 900 | 640 | 430 | 374 | 324 | 220 | 556 |
| | ButtWeld | CL_150 | 1285 | 1285 | 1285 | 1285 | 1285 | 1285 | 1285 | 1285 | 1285 | 1244 | 1075 | 730 | 1285 |
| 6" - 1775Q | Flange | CL_150 | 1210 | 1175 | 1135 | 1065 | 1015 | 975 | 900 | 640 | 430 | 374 | 324 | 220 | 556 |
| | ButtWeld | CL_150 | 1500 | 1500 | 1500 | 1500 | 1500 | 1500 | 1500 | 1500 | 1207 | 1046 | 905 | 614 | 1500 |
| 1785 | Flange | CL_150 | 900 | 900 | 900 | 900 | 900 | 900 | 900 | 640 | 430 | 374 | 324 | 220 | 556 |
| | ButtWeld | CL_150 | 900 | 900 | 900 | 900 | 900 | 900 | 900 | 900 | 900 | 900 | 900 | 611 | 900 |
| 1705R | Flange | CL_150 | 900 | 900 | 900 | 900 | 900 | 900 | 900 | 640 | 430 | 374 | 324 | 220 | 556 |
| | ButtWeld | CL_150 | 900 | 900 | 900 | 900 | 900 | 900 | 900 | 900 | 900 | 900 | 900 | 611 | 900 |
| 1705RR | Flange | CL_150 | 900 | 900 | 900 | 900 | 900 | 900 | 900 | 640 | 430 | 374 | 324 | 220 | 556 |
| | ButtWeld | CL_150 | 900 | 900 | 900 | 900 | 900 | 900 | 900 | 900 | 900 | 900 | 900 | 611 | 900 |

Notes:

1. Applies to 1-1/2" through 3" sizes only.
2. Consult the factory. Set pressure limits for buttweld valves can be further limited by buttweld dimensions.
3. Available CL_300 with same Pressure/Temperature rating.

Pressure/Temperature (USCS) (Contd.)

Set pressure limits (psig) for 1700 flanged & buttweld safety valves at designated temperature (°F)
Meets ASME B&PVC Section I, (2001 Edition), and ASME B16.34, (1996 Edition)

900 Pressure Class

| Temperature Class Base Material Flanged Base Material ButtWeld Inlet Neck Material ButtWeld (Note 1 and 2) | | | B WC6 WCC A105 | B WC6 WCC A105 | B WC6 WCC A105 | B WC6 WCC A105 | D WC6 WC6 F11 | D WC6 WC6 F11 | D WC6 WC6 F11 | D WC6 WC6 F11 | D WC6 WC6 F11 | D WC6 WC6 F11 | E WC9 WC9 F22 | F WC9 WC9 F22 | G CF8M CF8M F316 |
|--|------------------|------------------------------|-------------------------|-------------------------|-------------------------|-------------------------|------------------------|------------------------|------------------------|------------------------|------------------------|------------------------|------------------------|------------------------|---------------------------|
| Valve Type | Inlet CL_1500 | Outlet Flange (Note 2) | 100- 600°F | 650°F | 700°F | 750°F | 800°F | 850°F | 900°F | 950°F | 1000°F | 1020°F | 1060°F | 1100°F | 1120°F |
| 1716 | Flange | CL_150 | 1500 | 1500 | 1500 | 1500 | 1500 | 1460 | 1350 | 955 | 650 | 562 | 486 | 330 | 833 |
| | ButtWeld | CL_150 | 1500 | 1500 | 1500 | 1500 | 1500 | 1500 | 1500 | 1500 | 1500 | 1500 | 1500 | 1500 | 1500 |
| 1726 | Flange | CL_150 | 1500 | 1500 | 1500 | 1500 | 1500 | 1460 | 1350 | 955 | 650 | 562 | 486 | 330 | 833 |
| | ButtWeld | CL_150 | 1500 | 1500 | 1500 | 1500 | 1500 | 1500 | 1500 | 1500 | 1500 | 1500 | 1500 | 1290 | 1500 |
| 1736 | Flange | CL_150 | 1815 | 1765 | 1705 | 1595 | 1525 | 1460 | 1350 | 955 | 650 | 562 | 486 | 330 | 833 |
| | ButtWeld | CL_150 | 3000 | 3000 | 3000 | 3000 | 3000 | 3000 | 3000 | 2699 | 1830 | 1586 | 1615 | 1096 | 2773 |
| 1756 | Flange | CL_150 | 1815 | 1765 | 1705 | 1595 | 1525 | 1460 | 1350 | 955 | 650 | 562 | 486 | 330 | 833 |
| | ButtWeld | CL_150 | 3000 | 3000 | 3000 | 3000 | 3000 | 3000 | 3000 | 2821 | 1912 | 1657 | 1431 | 972 | 2459 |
| 1746 | Flange | CL_150 | 1815 | 1765 | 1705 | 1595 | 1525 | 1460 | 1350 | 955 | 650 | 562 | 486 | 330 | 833 |
| | ButtWeld | CL_150 | 2000 | 2000 | 2000 | 2000 | 2000 | 2000 | 2000 | 2000 | 2000 | 1777 | 1535 | 1042 | 2000 |
| 1766 | Flange | CL_150 | 1500 | 1500 | 1500 | 1500 | 1500 | 1460 | 1350 | 955 | 650 | 562 | 486 | 330 | 833 |
| | ButtWeld | CL_150 | 1500 | 1500 | 1500 | 1500 | 1500 | 1500 | 1500 | 1500 | 1500 | 1500 | 1361 | 924 | 1500 |
| 4" - 1776Q | Flange | CL_150 | 1285 | 1285 | 1285 | 1285 | 1285 | 1285 | 1285 | 955 | 650 | 562 | 486 | 330 | 833 |
| | ButtWeld | CL_150 | 1285 | 1285 | 1285 | 1285 | 1285 | 1285 | 1285 | 1285 | 1285 | 1244 | 1075 | 730 | 1285 |
| 6" - 1776Q | Flange | CL_150 | 1500 | 1500 | 1500 | 1500 | 1500 | 1460 | 1350 | 955 | 650 | 562 | 486 | 330 | 833 |
| | ButtWeld | CL_150 | 1500 | 1500 | 1500 | 1500 | 1500 | 1500 | 1500 | 1500 | 1207 | 1046 | 905 | 614 | 1552 |
| 1786HXP | Flange | CL_150 | 1040 | 1040 | 1040 | 1040 | 1040 | 1040 | 1040 | 955 | 650 | 562 | 486 | 330 | 833 |
| | ButtWeld | CL_150 | 1040 | 1040 | 1040 | 1040 | 1040 | 1040 | 1040 | 1040 | 1040 | 1040 | 900 | 611 | 1040 |
| 1706RHXP | Flange | CL_150 | 1010 | 1010 | 1010 | 1010 | 1010 | 1010 | 1010 | 955 | 650 | 562 | 486 | 330 | 833 |
| | ButtWeld | CL_150 | 1010 | 1010 | 1010 | 1010 | 1010 | 1010 | 1010 | 1010 | 900 | 900 | 900 | 611 | 1010 |
| 1706RRHXP | Flange | CL_150 | 1010 | 1010 | 1010 | 1010 | 1010 | 1010 | 1010 | 955 | 650 | 562 | 486 | 330 | 833 |
| | ButtWeld | CL_150 | 1010 | 1010 | 1010 | 1010 | 1010 | 1010 | 1010 | 1010 | 1010 | 900 | 900 | 611 | 1010 |

Notes:

1. Applies to 1-1/2" through 3" sizes only.
2. Consult the factory. Set pressure limits for buttweld valves can be further limited by buttweld dimensions.
3. Available CL_300 with same Pressure/Temperature rating.

Pressure/Temperature (USCS) (Contd.)

Set pressure limits (psig) for 1700 flanged & buttweld safety valves at designated temperature (°F)

Meets ASME B&PVC Section I, (2001 Edition), and ASME B16.34, (1996 Edition)

1500 Pressure Class

| Temperature Class Base Material Flanged Base Material ButtWeld Inlet Neck Material ButtWeld (Note 1) | | | B WC6 WCC A105 | B WC6 WCC A105 | B WC6 WCC A105 | B WC6 WCC A105 | D WC6 WC6 F11 | D WC6 WC6 F11 | D WC6 WC6 F11 | D WC6 WC6 F11 | D WC6 WC6 F11 | D WC6 WC6 F11 | E WC9 WC9 F22 | F WC9 WC9 F22 | G CF8M CF8M F316 |
|--|------------------|------------------------------|-------------------------|-------------------------|-------------------------|-------------------------|------------------------|------------------------|------------------------|------------------------|------------------------|------------------------|------------------------|------------------------|---------------------------|
| Valve Type | Inlet CL_1500 | Outlet Flange (Note 2) | 100- 600°F | 650°F | 700°F | 750°F | 800°F | 850°F | 900°F | 950°F | 1000°F | 1020°F | 1060°F | 1100°F | 1120°F |
| 1717 | Flange | CL_150 | 3025 | 2940 | 2840 | 2660 | 2540 | 2435 | 2245 | 1595 | 1080 | 936 | 810 | 550 | |
| | ButtWeld | CL_150 | 3100 | 3100 | 3100 | 3100 | 3100 | 3100 | 3100 | 3100 | 3100 | 2737 | 2367 | 1603 | 3100 |
| 1727 | Flange | CL_150 | 3025 | 2940 | 2840 | 2660 | 2540 | 2435 | 2245 | 1595 | 1080 | 936 | 810 | 550 | 1389 |
| | ButtWeld | CL_150 | 3100 | 3100 | 3100 | 3100 | 3100 | 3100 | 3100 | 3100 | 2540 | 2201 | 1903 | 1290 | 3100 |
| 1737 | Flange | CL_150 | 3025 | 2940 | 2840 | 2660 | 2540 | 2435 | 2245 | 1595 | 1080 | 936 | 810 | 550 | 1389 |
| | ButtWeld | CL_150 | 3100 | 3100 | 3100 | 3100 | 3100 | 3100 | 3100 | 3100 | 2156 | 1869 | 1861 | 1262 | 3100 |
| 1757 | Flange | CL_150 | 3025 | 2940 | 2840 | 2660 | 2540 | 2435 | 2245 | 1595 | 1080 | 936 | 810 | 550 | 1389 |
| | ButtWeld | CL_150 | 3100 | 3100 | 3100 | 3100 | 3100 | 3100 | 3100 | 2821 | 1912 | 1657 | 1845 | 1251 | 3100 |
| 1747 | Flange | CL_150 | 2000 | 2000 | 2000 | 2000 | 2000 | 2000 | 2000 | 1595 | 1080 | 936 | 810 | 550 | 1389 |
| | ButtWeld | CL_150 | 2000 | 2000 | 2000 | 2000 | 2000 | 2000 | 2000 | 2000 | 2000 | 1777 | 1845 | 1251 | 2000 |
| 1767 | Flange | CL_150 | 1600 | 1600 | 1600 | 1600 | 1600 | 1600 | 1600 | 1595 | 1080 | 936 | 810 | 550 | 1389 |
| | ButtWeld | CL_150 | 1600 | 1600 | 1600 | 1600 | 1600 | 1600 | 1600 | 1600 | 1600 | 1576 | 1437 | 976 | 1600 |
| 1777Q | Flange | CL_150 | 1600 | 1600 | 1600 | 1600 | 1600 | 1600 | 1600 | 1595 | 1080 | 936 | 810 | 550 | 1389 |
| | ButtWeld | CL_150 | 1600 | 1600 | 1600 | 1600 | 1600 | 1600 | 1600 | 1600 | 1080 | 936 | 810 | 550 | 1545 |
| 1787 | Flange | CL_150 | 1600 | 1600 | 1600 | 1600 | 1600 | 1600 | 1600 | 1595 | 1200 | 1040 | 900 | 610 | 1389 |
| | ButtWeld | CL_150 | 1600 | 1600 | 1600 | 1600 | 1600 | 1600 | 1600 | 1600 | 1600* | 1600* | 1200* | 950* | 1545 |
| 1707R | Flange | CL_150 | 1600 | 1600 | 1600 | 1600 | 1600 | 1600 | 1600 | 1595 | 1080 | 936 | 810 | 550 | 1389 |
| | ButtWeld | CL_150 | 1600 | 1600 | 1600 | 1600 | 1600 | 1600 | 1600 | 1600 | 1200 | 1040 | 900 | 610 | 1545 |
| | | | | | | | | | | | 1600* | 1600* | 1100* | 850* | |
| 1707RR | Flange | CL_150 | 1600 | 1600 | 1600 | 1600 | 1600 | 1600 | 1600 | 1595 | 1080 | 936 | 810 | 550 | 1389 |
| | ButtWeld | CL_150 | 1600 | 1600 | 1600 | 1600 | 1600 | 1600 | 1600 | 1600 | 1200 | 1040 | 900 | 610 | 1545 |
| | | | | | | | | | | | 1600* | 1600* | 925* | 720* | |

Notes:

1. Consult the factory. Set pressure limits for buttweld valves can be further limited by buttweld dimensions.
2. Available CL_300 with same Pressure/Temperature rating.

*Meets ASME B&PVC Section I, Code Case 1876-2, but does not meet ANSI B16.34. (1996 Edition)

Pressure/Temperature (USCS) (Contd.)

Set pressure limits (psig) for 1700 flanged & buttweld safety valves at designated temperature (°F)
 Meets ASME B&PVC Section I, (2001 Edition), and ASME B16.34, (1996 Edition)

2500 Pressure Class

| Temperature Class Base Material Flanged Base Material ButtWeld Inlet Neck Material ButtWeld (Note 1) | | | B WC6 WCC A105 | B WC6 WCC A105 | B WC6 WCC A105 | B WC6 WCC A105 | D WC6 WC6 F11 | D WC6 WC6 F11 | D WC6 WC6 F11 | D WC6 WC6 F11 | D WC6 WC6 F11 | D WC6 WC6 F11 | E WC9 WC9 F22 | F WC9 WC9 F22 | G CF8M CF8M F316 |
|--|---------------|------------------------|-------------------------|-------------------------|-------------------------|-------------------------|------------------------|------------------------|------------------------|------------------------|------------------------|------------------------|------------------------|------------------------|---------------------------|
| Valve Type | Inlet CL_1500 | Outlet Flange (Note 2) | 100-600°F | 650°F | 700°F | 750°F | 800°F | 850°F | 900°F | 950°F | 1000°F | 1020°F | 1060°F | 1100°F | 1120°F |
| 1719 | Flange | CL_300 | 3100 | 3100 | 3100 | 3100 | 3100 | 3100 | 3100 | 2655 | 1800 | 1560 | 1347 | 915 | 2315 |
| | ButtWeld | CL_300 | 3100 | 3100 | 3100 | 3100 | 3100 | 3100 | 3100 | 3100 | 3100 | 2737 | 2429 | 1645 | 3100 |
| 1729 | Flange | CL_300 | 3100 | 3100 | 3100 | 3100 | 3100 | 3100 | 3100 | 2655 | 1800 | 1560 | 1347 | 915 | 2315 |
| | ButtWeld | CL_300 | 3100 | 3100 | 3100 | 3100 | 3100 | 3100 | 3100 | 3100 | 2950 | 2557 | 2429 | 1645 | 3100 |
| 1739 | Flange | CL_300 | 3100 | 3100 | 3100 | 3100 | 3100 | 3100 | 3100 | 2655 | 1800 | 1560 | 1347 | 915 | 2315 |
| | ButtWeld | CL_300 | 3100 | 3100 | 3100 | 3100 | 3100 | 3100 | 3100 | 3100 | 2600 | 2437 | 2230 | 1510 | 3100 |
| | | | | | | | | | | | | 2600* | 2600* | 2500* | |
| 1759 | Flange | CL_300 | 3100 | 3100 | 3100 | 3100 | 3100 | 3100 | 3100 | 2655 | 1800 | 1560 | 1347 | 915 | 2315 |
| | ButtWeld | CL_300 | 3100 | 3100 | 3100 | 3100 | 3100 | 3100 | 3100 | 3100 | 2462 | 2134 | 1948 | 1320 | 3100 |
| | | | | | | | | | | | 2600* | 2600* | 2600* | 2350* | |
| 1749 | Flange | CL_300 | 3100 | 3100 | 3100 | 3100 | 3100 | 3100 | 3100 | 2655 | 1800 | 1560 | 1347 | 915 | 2315 |
| | ButtWeld | CL_300 | 3100 | 3100 | 3100 | 3100 | 3100 | 3100 | 3100 | 3100 | 2462 | 2134 | 2154 | 1460 | 3100 |
| | | | | | | | | | | | 2600* | 2600* | 2600* | 2150* | |

Notes:

1. Consult the factory. Set pressure limits for buttweld valves can be further limited by buttweld dimensions.

Meets ASME B&PVC Section I, (2001 Edition), and ASME B16.34, (1996 Edition)

3000 Pressure Class

| Temperature Class Base Material Flanged Base Material ButtWeld Inlet Neck Material ButtWeld (Note 1) | | | B WC6 WCC A105 | B WC6 WCC A105 | B WC6 WCC A105 | B WC6 WCC A105 | D WC6 WC6 F11 | D WC6 WC6 F11 | D WC6 WC6 F11 | D WC6 WC6 F11 | D WC6 WC6 F11 | D WC6 WC6 F11 | E WC9 WC9 F22 | F WC9 WC9 F22 | G CF8M CF8M F316 |
|--|---------------|------------------------|-------------------------|-------------------------|-------------------------|-------------------------|------------------------|------------------------|------------------------|------------------------|------------------------|------------------------|------------------------|------------------------|---------------------------|
| Valve Type | Inlet CL_1500 | Outlet Flange (Note 2) | 100-600°F | 650°F | 700°F | 750°F | 800°F | 850°F | 900°F | 950°F | 1000°F | 1020°F | 1060°F | 1100°F | 1120°F |
| 1710 | ButtWeld | CL_300 | 3100 | 3100 | 3100 | 3100 | 3100 | 3100 | 3100 | 3100 | 3100 | 2808 | 2429 | 1645 | 3100 |
| | | | | | | | | | | | | 3100* | 3100* | 2900* | |
| 1720 | ButtWeld | CL_300 | 3100 | 3100 | 3100 | 3100 | 3100 | 3100 | 3100 | 3100 | 2950 | 2557 | 2429 | 1645 | 3100 |
| | | | | | | | | | | | 3100* | 3100* | 3100* | 3100* | |
| 1730 | ButtWeld | CL_300 | 3100 | 3100 | 3100 | 3100 | 3100 | 3100 | 3100 | 3100 | 2812 | 2437 | 2414 | 1635 | 3100 |
| | | | | | | | | | | | 3100* | 3100* | 3100* | 3100* | |
| 1750 | ButtWeld | CL_300 | 3100 | 3100 | 3100 | 3100 | 3100 | 3100 | 3100 | 3100 | 2462 | 2134 | 2154 | 1460 | 3100 |
| | | | | | | | | | | | 3100* | 3100* | 3100* | 2650* | |
| 1740 | ButtWeld | CL_300 | 3100 | 3100 | 3100 | 3100 | 3100 | 3100 | 3100 | 3100 | 2600 | 2253 | 2258 | 1529 | 3100 |
| | | | | | | | | | | | 3100* | 3100* | 3100* | 2525* | |
| 1760 | ButtWeld | CL_300 | 3100 | 3100 | 3100 | 3100 | 3100 | 3100 | 3100 | 3100 | 3100 | 2808 | 2429 | 1645 | 3100 |
| | | | | | | | | | | | | 3100* | 3100* | 3100* | |

Notes:

1. Consult the factory. Set pressure limits for buttweld valves can be further limited by buttweld dimensions.

Pressure/Temperature (USCS) (Contd.)

Set pressure limits (psig) for 1700 flanged & buttweld safety valves at designated temperature (°F)

Meets ASME B&PVC Section I, (2001 Edition), and ASME B16.34, (1996 Edition)

4500 Pressure Class

| Temperature Class Base Material Flanged Base Material ButtWeld Inlet Neck Material ButtWeld (Note 1) | | | B WC6 WCC A105 | B WC6 WCC A105 | B WC6 WCC A105 | B WC6 WCC A105 | D WC6 WC6 F11 | D WC6 WC6 F11 | D WC6 WC6 F11 | D WC6 WC6 F11 | D WC6 WC6 F11 | D WC6 WC6 F11 | E WC9 WC9 F22 | F WC9 WC9 F22 | G CF8M CF8M F316 |
|--|------------------|------------------------------|-------------------------|-------------------------|-------------------------|-------------------------|------------------------|------------------------|------------------------|------------------------|------------------------|------------------------|------------------------|------------------------|---------------------------|
| Valve Type | Inlet CL_4500 | Outlet Flange (Note 2) | 100- 600°F | 650°F | 700°F | 750°F | 800°F | 850°F | 900°F | 950°F | 1000°F | 1020°F | 1060°F | 1100°F | 1120°F |
| 1713 | ButtWeld | CL_300 | 5360 | 5360 | 5360 | 5360 | 5020 | 5020 | 5020 | 4785 | 3240 | 2808 | 2429 | 1645 | 4165 |
| | | | | | | | | | | 4830* | 4830* | 4830* | 4750* | 4750* | 4750* |
| 1723 | ButtWeld | CL_300 | 5360 | 5360 | 5360 | 5360 | 5020 | 5020 | 5020 | 4785 | 3240 | 2808 | 2429 | 1645 | 4165 |
| | | | | | | | | | | 4830* | 4830* | 4830* | 4750* | 4750* | 4750* |
| 1733 | ButtWeld | CL_300 | 5360 | 5360 | 5360 | 5360 | 5020 | 5020 | 5020 | 4785 | 3240 | 2808 | 2429 | 1645 | 4165 |
| | | | | | | | | | | 4830* | 4830* | 4830* | 4750* | 4750* | 4750* |
| 1753 | ButtWeld | CL_300 | 5360 | 5360 | 5360 | 5360 | 5020 | 5020 | 5020 | 4785 | 3240 | 2808 | 2429 | 1645 | 4165 |
| | | | | | | | | | | 4830* | 4830* | 4830* | 4750* | 4750* | 4750* |
| 1743 | ButtWeld | CL_300 | 5360 | 5360 | 5360 | 5360 | 5020 | 5020 | 5020 | 4785 | 3240 | 2808 | 2429 | 1645 | 4165 |
| | | | | | | | | | | 4830* | 4830* | 4830* | 4750* | 4750* | 4750* |

Notes:

1. Consult the factory. Set pressure limits for buttweld valves can be further limited by buttweld dimensions.

*Meets ASME B&PVC Section I, Code Case 1876-2, but does not meet ANSI B16.34. (1996 Edition)

Pressure/Temperature (USCS) Alternate

Set pressure limits (psig) for 1700 flanged & buttweld safety valves at designated temperature (°F)
 Meets ASME B&PVC Section I, (2001 Edition), ASME B16.34 and Non-Mandatory Code ASME B31.1-Appendix II. —
 (Note 5)

600 Pressure Class

| Temperature Class | | | B | B | B | B | D | D | D | D | D | E | F | G | |
|------------------------------|--------------|---------------|-----------|-------|-------|-------|-------|-------|-------|-------|--------|--------|----------|----------|----------|
| Base Material Flanged | | | WC6 | WC6 | WC6 | WC6 | WC6 | WC6 | WC6 | WC6 | WC6 | WC9 | WC9 | CF8M | |
| Base Material ButtWeld | | | WCC | WCC | WCC | WCC | WC6 | WC6 | WC6 | WC6 | WC6 | WC9 | WC9 | CF8M | |
| Inlet Neck Material ButtWeld | | | A105 | A105 | A105 | A105 | F11 | F11 | F11 | F11 | F11 | WCC | WCC | CF8M | |
| (Note 3 and 4) | | | A105 | A105 | A105 | A105 | F11 | F11 | F11 | F11 | F11 | F22 | F22 | F316 | |
| Valve Type | Inlet CL_600 | Outlet Flange | 100-600°F | 650°F | 700°F | 750°F | 800°F | 850°F | 900°F | 950°F | 1000°F | 1020°F | 1060°F | 1100°F | 1120°F |
| 1715 | Flange | CL_150 | 1210 | 1175 | 1135 | 1065 | 1015 | 975 | 806 | 640 | 430 | 370 | 280 | (Note 1) | (Note 2) |
| | | CL_300 | 1210 | 1175 | 1135 | 1065 | 1015 | 975 | 900 | 640 | 430 | 370 | 320 | 220 | 556 |
| | ButtWeld | CL_150 | 1500 | 1500 | 1500 | 1477 | 1232 | 1048 | 806 | 645 | 477 | 414 | 280 | (Note 1) | (Note 2) |
| | | CL_300 | 1500 | 1500 | 1500 | 1500 | 1500 | 1500 | 1500 | 1500 | 1500 | 1500 | 1500 | 1500 | 1500 |
| 1725 | Flange | CL_150 | 1210 | 1175 | 1048 | 856 | 743 | 632 | 517 | 414 | 306 | 265 | (Note 1) | (Note 1) | (Note 2) |
| | | CL_300 | 1210 | 1175 | 1135 | 1065 | 1015 | 975 | 900 | 640 | 430 | 370 | 320 | 220 | 556 |
| | ButtWeld | CL_150 | 1393 | 1183 | 1048 | 856 | 743 | 632 | 517 | 414 | 306 | 265 | (Note 1) | (Note 1) | (Note 2) |
| | | CL_300 | 1500 | 1500 | 1500 | 1500 | 1500 | 1500 | 1500 | 1500 | 1500 | 1500 | 1500 | 1500 | 1080 |
| 1735 | Flange | CL_150 | 1210 | 1175 | 1135 | 1065 | 1015 | 975 | 900 | 640 | 430 | 370 | 320 | (Note 1) | (Note 2) |
| | | CL_300 | 1210 | 1175 | 1135 | 1065 | 1015 | 975 | 900 | 640 | 430 | 370 | 320 | 220 | 556 |
| | ButtWeld | CL_150 | 2500 | 2500 | 2500 | 2500 | 2439 | 1921 | 1569 | 1232 | 839 | 714 | 503 | (Note 1) | (Note 2) |
| | | CL_300 | 2500 | 2500 | 2500 | 2500 | 2500 | 2500 | 2500 | 2500 | 1830 | 1580 | 1615 | 1096 | 2500 |
| 1755 | Flange | CL_150 | 1210 | 1175 | 1135 | 1065 | 1015 | 975 | 900 | 640 | 430 | 370 | 320 | (Note 1) | (Note 2) |
| | | CL_300 | 1210 | 1175 | 1135 | 1065 | 1015 | 975 | 900 | 640 | 430 | 370 | 320 | 220 | 556 |
| | ButtWeld | CL_150 | 2274 | 2274 | 2274 | 1882 | 1569 | 1309 | 1069 | 790 | 583 | 506 | 350 | (Note 1) | (Note 2) |
| | | CL_300 | 2500 | 2500 | 2500 | 2500 | 2500 | 2500 | 2500 | 2500 | 1912 | 1664 | 1437 | 976 | 2469 |
| 1745 | Flange | CL_150 | 1210 | 1175 | 1135 | 1065 | 1015 | 975 | 806 | 632 | 430 | 370 | 286 | (Note 1) | (Note 2) |
| | | CL_300 | 1210 | 1175 | 1135 | 1065 | 1015 | 975 | 900 | 640 | 430 | 370 | 320 | 220 | 556 |
| | ButtWeld | CL_150 | 2000 | 2000 | 1736 | 1477 | 1232 | 1048 | 806 | 632 | 477 | 414 | 286 | (Note 1) | (Note 2) |
| | | CL_300 | 2000 | 2000 | 2000 | 2000 | 2000 | 2000 | 2000 | 2000 | 2000 | 1777 | 1535 | 1042 | 2000 |
| 1765 | Flange | CL_150 | 1008 | 856 | 758 | 672 | 572 | 486 | 405 | 325 | 240 | 208 | (Note 1) | (Note 1) | (Note 2) |
| | | CL_300 | 1015 | 1015 | 1015 | 1015 | 1015 | 975 | 900 | 640 | 430 | 370 | 320 | 220 | 556 |
| | ButtWeld | CL_150 | 1008 | 856 | 758 | 672 | 572 | 486 | 405 | 325 | 240 | 208 | (Note 1) | (Note 1) | (Note 2) |
| | | CL_300 | 1015 | 1015 | 1015 | 1015 | 1015 | 1015 | 1015 | 1015 | 1015 | 1015 | 1015 | 1015 | 924 |
| 4" - 1775Q | Flange | CL_150 | 1185 | 1027 | 874 | 743 | 658 | 549 | 458 | 366 | 271 | 235 | (Note 1) | (Note 1) | (Note 2) |
| | | CL_300 | 1210 | 1175 | 1135 | 1065 | 1015 | 975 | 900 | 640 | 430 | 370 | 320 | 220 | 556 |
| | ButtWeld | CL_150 | 1185 | 1027 | 874 | 743 | 658 | 549 | 458 | 366 | 271 | 235 | (Note 1) | (Note 1) | (Note 2) |
| | | CL_300 | 1285 | 1285 | 1285 | 1285 | 1285 | 1285 | 1285 | 1285 | 1285 | 1244 | 1075 | 730 | 1285 |
| 6" - 1775Q | Flange | CL_150 | 1185 | 1027 | 874 | 743 | 658 | 549 | 458 | 366 | 271 | 235 | (Note 1) | (Note 1) | (Note 2) |
| | | CL_300 | 1210 | 1175 | 1135 | 1065 | 1015 | 975 | 900 | 640 | 430 | 370 | 320 | 220 | 556 |
| | ButtWeld | CL_150 | 1185 | 1027 | 874 | 743 | 658 | 549 | 458 | 366 | 271 | 235 | (Note 1) | (Note 1) | (Note 2) |
| | | CL_300 | 1500 | 1500 | 1500 | 1500 | 1500 | 1500 | 1500 | 1500 | 1207 | 1046 | 905 | 614 | 1500 |
| 1785 | Flange | CL_150 | 797 | 709 | 638 | 550 | 487 | 415 | 346 | 271 | 204 | 177 | (Note 1) | (Note 1) | (Note 2) |
| | | CL_300 | 900 | 900 | 900 | 900 | 900 | 900 | 900 | 640 | 430 | 370 | 320 | 220 | 556 |
| | ButtWeld | CL_150 | 797 | 709 | 638 | 550 | 487 | 415 | 346 | 271 | 204 | 177 | (Note 1) | (Note 1) | (Note 2) |
| | | CL_300 | 900 | 900 | 900 | 900 | 900 | 900 | 900 | 900 | 900 | 900 | 900 | 611 | 900 |
| 1705R | Flange | CL_150 | 695 | 624 | 547 | 487 | 423 | 360 | 300 | 235 | 177 | 154 | (Note 1) | (Note 1) | (Note 2) |
| | | CL_300 | 900 | 900 | 900 | 900 | 900 | 900 | 900 | 640 | 430 | 370 | 320 | 220 | 556 |
| | ButtWeld | CL_150 | 695 | 624 | 547 | 487 | 423 | 360 | 300 | 235 | 177 | 154 | (Note 1) | (Note 1) | (Note 2) |
| | | CL_300 | 900 | 900 | 900 | 900 | 900 | 900 | 900 | 900 | 900 | 900 | 900 | 611 | 900 |
| 1705RR | Flange | CL_150 | 553 | 490 | 442 | 390 | 339 | 294 | 240 | 192 | 142 | 123 | (Note 1) | (Note 1) | (Note 2) |
| | | CL_300 | 900 | 900 | 900 | 900 | 900 | 900 | 900 | 640 | 430 | 370 | 320 | 220 | 556 |
| | ButtWeld | CL_150 | 553 | 490 | 442 | 390 | 339 | 294 | 240 | 192 | 142 | 123 | (Note 1) | (Note 1) | (Note 2) |
| | | CL_300 | 900 | 900 | 900 | 900 | 900 | 900 | 900 | 900 | 900 | 900 | 900 | 611 | 900 |

Notes:

- Not recommended at this temperature.
- Consult the factory.
- Applies to 1-1/2" through 3" sizes only.
- Consult the factory. Set pressure limits for buttweld valves can be further limited by buttweld dimensions.
- ASME B31.1 - Appendix II analysis is limited to calculating valve outlet pressure and temperature. The calculated outlet pressure and temperature, using ASME B31.1 Appendix II analysis, complies with ASME B16.34. The valve inlet pressure/temperature rating is in compliance with ASME B16.34.

Pressure/Temperature (USCS) Alternate (Contd.)

Set pressure limits (psig) for 1700 flanged & buttweld safety valves at designated temperature (°F)
 Meets ASME B&PVC Section I, (2001 Edition), ASME B16.34 and Non-Mandatory Code ASME B31.1-Appendix II. – (Note 5)

900 Pressure Class

| Temperature Class Base Material Flanged Base Material ButtWeld Inlet Neck Material ButtWeld (Note 3 and 4) | | | B WC6 WCC A105 | B WC6 WCC A105 | B WC6 WCC A105 | B WC6 WCC A105 | D WC6 WC6 F11 | D WC6 WC6 F11 | D WC6 WC6 F11 | D WC6 WC6 F11 | D WC6 WC6 F11 | D WC6 WC6 F11 | E WC9 WC9 F22 | F WC9 WC9 F22 | G CF8M CF8M F316 |
|--|-----------------|------------------|-------------------------|-------------------------|-------------------------|-------------------------|------------------------|------------------------|------------------------|------------------------|------------------------|------------------------|------------------------|------------------------|---------------------------|
| Valve Type | Inlet CL_900 | Outlet Flange | 100- 600°F | 650°F | 700°F | 750°F | 800°F | 850°F | 900°F | 950°F | 1000°F | 1020°F | 1060°F | 1100°F | 1120°F |
| 1716 | Flange | CL_150 | 1500 | 1500 | 1500 | 1477 | 1232 | 1048 | 806 | 645 | 477 | 414 | 280 | (Note 1) | (Note 2) |
| | | CL_300 | 1500 | 1500 | 1500 | 1500 | 1500 | 1460 | 1350 | 955 | 650 | 562 | 486 | 330 | 833 |
| | ButtWeld | CL_150 | 1500 | 1500 | 1500 | 1477 | 1232 | 1048 | 806 | 645 | 477 | 414 | 280 | (Note 1) | (Note 2) |
| | | CL_300 | 1500 | 1500 | 1500 | 1500 | 1500 | 1500 | 1500 | 1500 | 1500 | 1500 | 1500 | 1500 | 1500 |
| 1726 | Flange | CL_150 | 1393 | 1183 | 1048 | 856 | 743 | 632 | 517 | 414 | 306 | 265 | (Note 1) | (Note 1) | (Note 2) |
| | | CL_300 | 1500 | 1500 | 1500 | 1500 | 1500 | 1460 | 1350 | 955 | 650 | 562 | 486 | 330 | 833 |
| | ButtWeld | CL_150 | 1393 | 1183 | 1048 | 856 | 743 | 632 | 517 | 414 | 306 | 265 | (Note 1) | (Note 1) | (Note 2) |
| | | CL_300 | 1500 | 1500 | 1500 | 1500 | 1500 | 1500 | 1500 | 1500 | 1500 | 1500 | 1500 | 1500 | 1290 |
| 1736 | Flange | CL_150 | 1815 | 1765 | 1705 | 1595 | 1525 | 1460 | 1350 | 955 | 650 | 562 | 486 | (Note 1) | (Note 2) |
| | | CL_300 | 1815 | 1765 | 1705 | 1595 | 1525 | 1460 | 1350 | 955 | 650 | 562 | 486 | 330 | 833 |
| | ButtWeld | CL_150 | 3000 | 3000 | 3000 | 3000 | 2439 | 1921 | 1569 | 1232 | 839 | 714 | 503 | (Note 1) | (Note 2) |
| | | CL_300 | 3000 | 3000 | 3000 | 3000 | 3000 | 3000 | 3000 | 3000 | 2699 | 1830 | 1586 | 1615 | 1096 |
| 1756 | Flange | CL_150 | 1815 | 1765 | 1705 | 1595 | 1525 | 1309 | 1069 | 790 | 583 | 506 | 350 | (Note 1) | (Note 2) |
| | | CL_300 | 1815 | 1765 | 1705 | 1595 | 1525 | 1460 | 1350 | 955 | 650 | 562 | 486 | 330 | 833 |
| | ButtWeld | CL_150 | 2274 | 2274 | 2274 | 1882 | 1569 | 1309 | 1069 | 790 | 583 | 506 | 350 | (Note 1) | (Note 2) |
| | | CL_300 | 3000 | 3000 | 3000 | 3000 | 3000 | 3000 | 3000 | 3000 | 2821 | 1912 | 1657 | 1431 | 972 |
| 1746 | Flange | CL_150 | 1815 | 1765 | 1705 | 1477 | 1232 | 1048 | 806 | 632 | 477 | 414 | 286 | (Note 1) | (Note 2) |
| | | CL_300 | 1815 | 1765 | 1705 | 1595 | 1525 | 1460 | 1350 | 955 | 650 | 562 | 486 | 330 | 833 |
| | ButtWeld | CL_150 | 2000 | 2000 | 1736 | 1477 | 1232 | 1048 | 806 | 632 | 477 | 414 | 286 | (Note 1) | (Note 2) |
| | | CL_300 | 2000 | 2000 | 2000 | 2000 | 2000 | 2000 | 2000 | 2000 | 2000 | 2000 | 1777 | 1535 | 1042 |
| 1766 | Flange | CL_150 | 1008 | 856 | 758 | 672 | 572 | 486 | 405 | 325 | 240 | 208 | (Note 1) | (Note 1) | (Note 2) |
| | | CL_300 | 1500 | 1500 | 1500 | 1500 | 1500 | 1460 | 1350 | 955 | 650 | 562 | 486 | 330 | 833 |
| | ButtWeld | CL_150 | 1008 | 856 | 758 | 672 | 572 | 486 | 405 | 325 | 240 | 208 | (Note 1) | (Note 1) | (Note 2) |
| | | CL_300 | 1500 | 1500 | 1500 | 1500 | 1500 | 1500 | 1500 | 1500 | 1500 | 1500 | 1500 | 1361 | 924 |
| 4" -1776Q | Flange | CL_150 | 1185 | 1027 | 874 | 743 | 658 | 549 | 458 | 366 | 271 | 235 | (Note 1) | (Note 1) | (Note 2) |
| | | CL_300 | 1285 | 1285 | 1285 | 1285 | 1285 | 1285 | 1285 | 1285 | 955 | 650 | 562 | 486 | 330 |
| | ButtWeld | CL_150 | 1185 | 1027 | 874 | 743 | 658 | 549 | 458 | 366 | 271 | 235 | (Note 1) | (Note 1) | (Note 2) |
| | | CL_300 | 1285 | 1285 | 1285 | 1285 | 1285 | 1285 | 1285 | 1285 | 1285 | 1285 | 1244 | 1075 | 730 |
| 6" -1776Q | Flange | CL_150 | 1185 | 1027 | 874 | 743 | 658 | 549 | 458 | 366 | 271 | 235 | (Note 1) | (Note 1) | (Note 2) |
| | | CL_300 | 1500 | 1500 | 1500 | 1500 | 1500 | 1460 | 1350 | 955 | 650 | 562 | 486 | 330 | 833 |
| | ButtWeld | CL_150 | 1185 | 1027 | 874 | 743 | 658 | 549 | 458 | 366 | 271 | 235 | (Note 1) | (Note 1) | (Note 2) |
| | | CL_300 | 1500 | 1500 | 1500 | 1500 | 1500 | 1500 | 1500 | 1500 | 1207 | 1046 | 904 | 614 | 1500 |
| 1786XHP | Flange | CL_150 | 1040 | 1040 | 1040 | 1027 | 839 | 714 | 583 | 467 | 352 | 299 | 211 | (Note 1) | (Note 2) |
| | | CL_300 | 1040 | 1040 | 1040 | 1040 | 1040 | 1040 | 1040 | 1040 | 955 | 650 | 562 | 486 | 330 |
| | ButtWeld | CL_150 | 1040 | 1040 | 1040 | 1027 | 839 | 714 | 583 | 467 | 352 | 299 | 211 | (Note 1) | (Note 2) |
| | | CL_300 | 1040 | 1040 | 1040 | 1040 | 1040 | 1040 | 1040 | 1040 | 1040 | 1040 | 1040 | 1025 | 611 |
| 1706RXHP | Flange | CL_150 | 1010 | 1010 | 1006 | 839 | 714 | 607 | 506 | 405 | 306 | 260 | 183 | (Note 1) | (Note 2) |
| | | CL_300 | 1010 | 1010 | 1010 | 1010 | 1010 | 1010 | 1010 | 1010 | 955 | 650 | 562 | 486 | 330 |
| | ButtWeld | CL_150 | 1010 | 1010 | 1006 | 839 | 714 | 607 | 506 | 405 | 306 | 260 | 183 | (Note 1) | (Note 2) |
| | | CL_300 | 1010 | 1010 | 1010 | 1010 | 1010 | 1010 | 1010 | 1010 | 1010 | 1010 | 1010 | 900 | 611 |
| 1706RRXHP | Flange | CL_150 | 1010 | 1010 | 1006 | 839 | 714 | 607 | 506 | 405 | 306 | 260 | 183 | (Note 1) | (Note 2) |
| | | CL_300 | 1010 | 1010 | 1010 | 1010 | 1010 | 1010 | 1010 | 1010 | 955 | 650 | 562 | 486 | 330 |
| | ButtWeld | CL_150 | 1010 | 1010 | 1006 | 839 | 714 | 607 | 506 | 405 | 306 | 260 | 183 | (Note 1) | (Note 2) |
| | | CL_300 | 1010 | 1010 | 1010 | 1010 | 1010 | 1010 | 1010 | 1010 | 1010 | 1010 | 1010 | 900 | 611 |

Notes:

- Not recommended at this temperature.
- Consult the factory.
- Applies to 1-1/2" through 3" sizes only.
- Consult the factory. Set pressure limits for buttweld valves can be further limited by buttweld dimensions.
- ASME B31.1 - Appendix II analysis is limited to calculating valve outlet pressure and temperature.
- The calculated outlet pressure and temperature, using ASME B31.1 Appendix II analysis, complies with ASME B16.34. The valve inlet pressure/temperature rating is in compliance with ASME B16.34.

Pressure/Temperature (USCS) Alternate (Contd.)

Set pressure limits (psig) for 1700 flanged & buttweld safety valves at designated temperature (°F)
 Meets ASME B&PVC Section I, (2001 Edition), ASME B16.34 and Non-Mandatory Code ASME B31.1-Appendix II. —
 (Note 4)

1500 Pressure Class

| Temperature Class | | | B | B | B | B | D | D | D | D | D | E | F | G | |
|------------------------------|------------------|------------------|---------------|-------|-------|-------|-------|-------|-------|-------|--------|--------|----------|----------|----------|
| Base Material Flanged | | | WC6 | WC6 | WC6 | WC6 | WC6 | WC6 | WC6 | WC6 | WC6 | WC9 | WC9 | CF8M | |
| Base Material ButtWeld | | | WC6 | WC6 | WC6 | WC6 | WC6 | WC6 | WC6 | WC6 | WC6 | WC9 | WC9 | CF8M | |
| Inlet Neck Material ButtWeld | | | WC6 | WC6 | WC6 | WC6 | WC6 | WC6 | WC6 | WC6 | WC6 | WC9 | WC9 | CF8M | |
| (Note 3 and 4) | | | A105 | A105 | A105 | A105 | F11 | F11 | F11 | F11 | F11 | F22 | F22 | F316 | |
| Valve Type | Inlet CL_1500 | Outlet Flange | 100- 600°F | 650°F | 700°F | 750°F | 800°F | 850°F | 900°F | 950°F | 1000°F | 1020°F | 1060°F | 1100°F | 1120°F |
| 1717 | Flange | CL_150 | 2202 | 2202 | 1808 | 1477 | 1232 | 1048 | 806 | 645 | 477 | 414 | 280 | (Note 1) | (Note 2) |
| | | CL_300 | 3025 | 2940 | 2840 | 2660 | 2540 | 2435 | 2245 | 1595 | 1080 | 936 | 810 | 550 | 1389 |
| | ButtWeld | CL_150 | 2200 | 2200 | 1808 | 1477 | 1232 | 1048 | 806 | 645 | 477 | 414 | 280 | (Note 1) | (Note 2) |
| | | CL_300 | 3100 | 3100 | 3100 | 3100 | 3100 | 3100 | 3100 | 3100 | 3100 | 2737 | 2367 | 1603 | 3100 |
| 1727 | Flange | CL_150 | 1393 | 1183 | 1048 | 856 | 743 | 632 | 517 | 414 | 306 | 265 | (Note 1) | (Note 1) | (Note 2) |
| | | CL_300 | 3025 | 2940 | 2840 | 2660 | 2540 | 2435 | 2245 | 1595 | 1080 | 936 | 810 | 550 | 1389 |
| | ButtWeld | CL_150 | 1393 | 1183 | 1048 | 856 | 743 | 632 | 517 | 414 | 306 | 265 | (Note 1) | (Note 1) | (Note 2) |
| | | CL_300 | 3100 | 3100 | 3100 | 3100 | 3100 | 3100 | 3100 | 3100 | 2540 | 2201 | 1903 | 1290 | 3100 |
| 1737 | Flange | CL_150 | 3025 | 2940 | 2840 | 2660 | 2439 | 1921 | 1569 | 1232 | 839 | 714 | 503 | (Note 1) | (Note 2) |
| | | CL_300 | 3025 | 2940 | 2840 | 2660 | 2540 | 2435 | 2245 | 1595 | 1080 | 936 | 810 | 550 | 1389 |
| | ButtWeld | CL_150 | 3000 | 3000 | 3000 | 3000 | 2439 | 1921 | 1569 | 1232 | 839 | 714 | 503 | (Note 1) | (Note 2) |
| | | CL_300 | 3100 | 3100 | 3100 | 3100 | 3100 | 3100 | 3100 | 3100 | 2156 | 1869 | 1861 | 1262 | 3100 |
| 1757 | Flange | CL_150 | 2274 | 2274 | 2274 | 1882 | 1569 | 1309 | 1069 | 790 | 583 | 506 | 350 | (Note 1) | (Note 2) |
| | | CL_300 | 3025 | 2940 | 2840 | 2660 | 2540 | 2435 | 2245 | 1595 | 1080 | 936 | 810 | 550 | 1389 |
| | ButtWeld | CL_150 | 2274 | 2274 | 2274 | 1882 | 1569 | 1309 | 1069 | 790 | 583 | 506 | 350 | (Note 1) | (Note 2) |
| | | CL_300 | 3100 | 3100 | 3100 | 3100 | 3100 | 3100 | 3100 | 2821 | 1912 | 1657 | 1845 | 1251 | 3100 |
| 1747 | Flange | CL_150 | 2000 | 2000 | 1736 | 1477 | 1232 | 1048 | 806 | 632 | 477 | 414 | 286 | (Note 1) | (Note 2) |
| | | CL_300 | 2000 | 2000 | 2000 | 2000 | 2000 | 2000 | 2000 | 1595 | 1080 | 936 | 810 | 550 | 1389 |
| | ButtWeld | CL_150 | 2200 | 2200 | 1736 | 1477 | 1232 | 1048 | 806 | 632 | 477 | 414 | 286 | (Note 1) | (Note 2) |
| | | CL_300 | 2000 | 2000 | 2000 | 2000 | 2000 | 2000 | 2000 | 2000 | 2000 | 1777 | 1845 | 1251 | 2000 |
| 1767 | Flange | CL_150 | 1008 | 856 | 758 | 672 | 572 | 486 | 405 | 325 | 240 | 208 | (Note 1) | (Note 1) | (Note 2) |
| | | CL_300 | 1600 | 1600 | 1600 | 1600 | 1600 | 1600 | 1600 | 1595 | 1080 | 936 | 810 | 550 | 1389 |
| | ButtWeld | CL_150 | 1008 | 856 | 758 | 672 | 572 | 486 | 405 | 325 | 240 | 208 | (Note 1) | (Note 1) | (Note 2) |
| | | CL_300 | 1600 | 1600 | 1600 | 1600 | 1600 | 1600 | 1600 | 1600 | 1600 | 1576 | 1437 | 976 | 1600 |
| 1777Q | Flange | CL_150 | 1185 | 1027 | 874 | 743 | 658 | 549 | 458 | 366 | 271 | 235 | (Note 1) | (Note 1) | (Note 2) |
| | | CL_300 | 1600 | 1600 | 1600 | 1600 | 1600 | 1600 | 1600 | 1595 | 1080 | 936 | 810 | 550 | 1389 |
| | ButtWeld | CL_150 | 1185 | 1027 | 874 | 743 | 658 | 549 | 458 | 366 | 271 | 235 | (Note 1) | (Note 1) | (Note 2) |
| | | CL_300 | 1600 | 1600 | 1600 | 1600 | 1600 | 1600 | 1600 | 1600 | 1201 | 1041 | 900 | 611 | 1545 |
| 1787 | Flange | CL_150 | 1528 | 1390 | 1183 | 1027 | 839 | 714 | 583 | 467 | 352 | 299 | 211 | (Note 1) | (Note 2) |
| | | CL_300 | 1600 | 1600 | 1600 | 1600 | 1600 | 1600 | 1600 | 1595 | 1080 | 936 | 810 | 550 | 1389 |
| | ButtWeld | CL_150 | 1500 | 1390 | 1183 | 1027 | 839 | 714 | 583 | 467 | 352 | 299 | 211 | (Note 1) | (Note 2) |
| | | CL_300 | 1600 | 1600 | 1600 | 1600 | 1600 | 1600 | 1600 | 1600 | 1201 | 1041 | 900 | 611 | 1545 |
| 1707R | Flange | CL_150 | 1338 | 1159 | 1006 | 839 | 714 | 607 | 506 | 405 | 306 | 260 | 183 | (Note 1) | (Note 2) |
| | | CL_300 | 1600 | 1600 | 1600 | 1600 | 1600 | 1600 | 1600 | 1595 | 1080 | 936 | 810 | 550 | 1389 |
| | ButtWeld | CL_150 | 1338 | 1159 | 1006 | 839 | 714 | 607 | 506 | 405 | 306 | 260 | 183 | (Note 1) | (Note 2) |
| | | CL_300 | 1600 | 1600 | 1600 | 1600 | 1600 | 1600 | 1600 | 1600 | 1201 | 1041 | 900 | 611 | 1545 |
| 1707RR | Flange | CL_150 | 1029 | 868 | 758 | 672 | 583 | 496 | 405 | 325 | 245 | 212 | (Note 1) | (Note 1) | (Note 2) |
| | | CL_300 | 1600 | 1600 | 1600 | 1600 | 1600 | 1600 | 1600 | 1595 | 1080 | 936 | 810 | 550 | 1389 |
| | ButtWeld | CL_150 | 1029 | 868 | 758 | 672 | 583 | 496 | 405 | 325 | 245 | 212 | (Note 1) | (Note 1) | (Note 2) |
| | | CL_300 | 1600 | 1600 | 1600 | 1600 | 1600 | 1600 | 1600 | 1600 | 1201 | 1041 | 900 | 611 | 1545 |

Notes:

- Not recommended at this temperature.
- Consult the factory.
- Consult the factory. Set pressure limits for buttweld valves can be further limited by buttweld dimensions.
- ASME B31.1 - Appendix II analysis is limited to calculating valve outlet pressure and temperature. The calculated outlet pressure and temperature, using ASME B31.1 Appendix II analysis, complies with ASME B16.34. The valve inlet pressure/temperature rating is in compliance with ASME B16.34.

Pressure/Temperature (USCS) Alternate (Contd.)

Set pressure limits (psig) for 1700 flanged & buttweld safety valves at designated temperature (°F)
Meets ASME B&PVC Section I, (2001 Edition), ASME B16.34 and Non-Mandatory Code ASME B31.1-Appendix II. – (Note 4)

2500 Pressure Class

| Temperature Class | | | B | B | B | B | D | D | D | D | D | D | E | F | G |
|--|------------------|------------------|---------------|-------|-------|-------|-------|-------|-------|-------|--------|--------|--------|--------|--------|
| Base Material Flanged | | | WC6 | WC6 | WC6 | WC6 | WC6 | WC6 | WC6 | WC6 | WC6 | WC6 | WC9 | WC9 | CF8M |
| Base Material ButtWeld | | | WCC | WCC | WCC | WCC | WC6 | WC6 | WC6 | WC6 | WC6 | WC6 | WC9 | WC9 | CF8M |
| Inlet Neck Material ButtWeld (Note 3 and 4) | | | A105 | A105 | A105 | A105 | F11 | F11 | F11 | F11 | F11 | F11 | F22 | F22 | F316 |
| Valve Type | Inlet CL_2500 | Outlet Flange | 100- 600°F | 650°F | 700°F | 750°F | 800°F | 850°F | 900°F | 950°F | 1000°F | 1020°F | 1060°F | 1100°F | 1120°F |
| 1719 | Flange | CL_300 | 3100 | 3100 | 3100 | 3100 | 3100 | 3100 | 3100 | 2655 | 1800 | 1560 | 1347 | 915 | 2315 |
| | ButtWeld | CL_300 | 3100 | 3100 | 3100 | 3100 | 3100 | 3100 | 3100 | 3100 | 1860 | 1574 | 1517 | 945 | 2525 |
| 1729 | Flange | CL_300 | 3100 | 3100 | 3100 | 3100 | 3100 | 3100 | 3100 | 2655 | 1800 | 1560 | 1347 | 915 | 2315 |
| | ButtWeld | CL_300 | 3100 | 3100 | 3100 | 3100 | 3100 | 3100 | 3100 | 3100 | 2950 | 2557 | 2429 | 1645 | 3100 |
| 1739 | Flange | CL_300 | 3100 | 3100 | 3100 | 3100 | 3100 | 3100 | 3100 | 2655 | 1800 | 1560 | 1347 | 915 | 2315 |
| | ButtWeld | CL_300 | 3100 | 3100 | 3100 | 3100 | 3100 | 3100 | 3100 | 3100 | 2600 | 2600 | 2230 | 1511 | 3100 |
| 1759 | Flange | CL_300 | 3100 | 3100 | 3100 | 3100 | 3100 | 3100 | 3100 | 2655 | 1800 | 1560 | 1347 | 915 | 2315 |
| | ButtWeld | CL_300 | 3100 | 3100 | 3100 | 3100 | 3100 | 3100 | 3100 | 3100 | 2462 | 2134 | 2051 | 1390 | 3100 |
| 1749 | Flange | CL_300 | 3100 | 3100 | 3100 | 3100 | 3100 | 3100 | 3100 | 2655 | 1800 | 1560 | 1347 | 915 | 2315 |
| | ButtWeld | CL_300 | 3100 | 3100 | 3100 | 3100 | 3100 | 3100 | 3100 | 3100 | 2462 | 2134 | 2154 | 1460 | 3100 |

Meets ASME B&PVC Section I, (2001 Edition), ASME B16.34 and Non-Mandatory Code ASME B31.1-Appendix II. – (Note 4)

3000 Pressure Class

| Temperature Class | | | B | B | B | B | D | D | D | D | D | D | E | F | G |
|--|------------------|------------------|---------------|-------|-------|-------|-------|-------|-------|-------|--------|--------|--------|--------|--------|
| Base Material Flanged | | | WC6 | WC6 | WC6 | WC6 | WC6 | WC6 | WC6 | WC6 | WC6 | WC6 | WC9 | WC9 | CF8M |
| Base Material ButtWeld | | | WCC | WCC | WCC | WCC | WC6 | WC6 | WC6 | WC6 | WC6 | WC6 | WC9 | WC9 | CF8M |
| Inlet Neck Material ButtWeld (Note 3 and 4) | | | A105 | A105 | A105 | A105 | F11 | F11 | F11 | F11 | F11 | F11 | F22 | F22 | F316 |
| Valve Type | Inlet CL_2500 | Outlet Flange | 100- 600°F | 650°F | 700°F | 750°F | 800°F | 850°F | 900°F | 950°F | 1000°F | 1020°F | 1060°F | 1100°F | 1120°F |
| 1710 | ButtWeld | CL_300 | 3100 | 3100 | 3100 | 3100 | 3100 | 3100 | 3100 | 3100 | 3100 | 2808 | 2429 | 1645 | 3100 |
| 1720 | ButtWeld | CL_300 | 3100 | 3100 | 3100 | 3100 | 3100 | 3100 | 3100 | 3100 | 2950 | 2557 | 2429 | 1645 | 3100 |
| 1730 | ButtWeld | CL_300 | 3100 | 3100 | 3100 | 3100 | 3100 | 3100 | 3100 | 3100 | 2812 | 2437 | 2414 | 1635 | 3100 |
| 1750 | ButtWeld | CL_300 | 3100 | 3100 | 3100 | 3100 | 3100 | 3100 | 3100 | 3100 | 2462 | 2134 | 2154 | 1460 | 3100 |
| 1740 | ButtWeld | CL_300 | 3100 | 3100 | 3100 | 3100 | 3100 | 3100 | 3100 | 3100 | 2600 | 2253 | 2258 | 1529 | 3100 |
| 1770 | ButtWeld | CL_300 | 3100 | 3100 | 3100 | 3100 | 3100 | 3100 | 3100 | 3100 | 3100 | 2808 | 2429 | 1645 | 3100 |

Notes:

1. Not recommended at this temperature.
2. Consult the factory.
3. Consult the factory. Set pressure limits for buttweld valves can be further limited by buttweld dimensions.
4. ASME B31.1 - Appendix II analysis is limited to calculating valve outlet pressure and temperature. The calculated outlet pressure and temperature, using ASME B31.1 Appendix II analysis, complies with ASME B16.34. The valve inlet pressure/temperature rating is in compliance with ASME B16.34.

Pressure/Temperature (USCS) Alternate (Contd.)

Set pressure limits (psig) for 1700 flanged & buttweld safety valves at designated temperature (°F)
Meets ASME B&PVC Section I, (2001 Edition), ASME B16.34 and Non-Mandatory Code ASME B31.1-Appendix II. — (Note 4)

4500 Pressure Class

| Temperature Class Base Material Flanged Base Material Butt weld Inlet Neck Material Butt weld (Note 3 and 4) | | | B WC6 WCC A105 | B WC6 WCC A105 | B WC6 WCC A105 | B WC6 WCC A105 | D WC6 WC6 F11 | D WC6 WC6 F11 | D WC6 WC6 F11 | D WC6 WC6 F11 | D WC6 WC6 F11 | D WC6 WC6 F11 | E WC9 WC9 F22 | F WC9 WC9 F22 | G CF8M CF8M F316 |
|--|------------------|------------------|-------------------------|-------------------------|-------------------------|-------------------------|------------------------|------------------------|------------------------|------------------------|------------------------|------------------------|------------------------|------------------------|---------------------------|
| Valve Type | Inlet CL_4500 | Outlet Flange | 100- 600°F | 650°F | 700°F | 750°F | 800°F | 850°F | 900°F | 950°F | 1000°F | 1020°F | 1060°F | 1100°F | 1120°F |
| 1713 | ButtWeld | CL_300 | 5360 | 5360 | 5360 | 5360 | 5360 | 5020 | 5020 | 4785 | 3240 | 2808 | 2429 | 1645 | 4165 |
| 1723 | ButtWeld | CL_300 | 5360 | 5360 | 5360 | 5360 | 5360 | 5020 | 5020 | 4785 | 3240 | 2808 | 2429 | 1645 | 4165 |
| 1733 | ButtWeld | CL_300 | 5360 | 5360 | 5360 | 5360 | 5360 | 5020 | 5020 | 4785 | 3240 | 2808 | 2429 | 1645 | 4165 |
| 1753 | ButtWeld | CL_300 | 5360 | 5360 | 5360 | 5360 | 5360 | 5020 | 5020 | 4785 | 3240 | 2808 | 2429 | 1645 | 4165 |
| 1743 | ButtWeld | CL_300 | 5360 | 5360 | 5360 | 5360 | 5360 | 5020 | 5020 | 4785 | 3240 | 2808 | 2429 | 1645 | 4165 |

Notes:

1. Consult the factory. Set pressure limits for butt weld valves can be further limited by butt weld dimensions.
2. ASME B31.1 - Appendix II analysis is limited to calculating valve outlet pressure and temperature. The calculated outlet pressure and temperature, using ASME B31.1 Appendix II analysis, complies with ASME B16.34.

Orifice Capacities

ASME, B & PVC, Section I rating - 2001 Edition

pounds per hour saturated steam at 3% overpressure, 90% of actual capacity

W=51.5KAP for "P" less than or equal to 1580 psia

$K = .878 (4" Q - K = .792)$

W=51.5KAP x [1.906P-1000/.2292P-1061] for "P" greater than 1580 psia

A= flow area in sq. in.

$P = (1.03 \times \text{set pressure}) + 14.7$

Apply correction factor for capacities on superheated steam. Correction factor tables begin on page 1700.66. Review pressure temperature limits.

Pressure/temperature tables begin on page 1700.32. The 1700 is certified as a restricted lift valve and capacities can be restricted down to 30% of its full rated capacity.

Orifice Designation & Area – Square Inches

| Orifice Designation Orifice Area Sq. In. Set Pressure (psig) | 1 0.994 | 2 1.431 | 3 2.545 | 5 3.341 | 4 3.976 | 6 7.07 | Q 4"=12.25 6"=11.05 | 8 14.18 | R 16 | RR 19.29 |
|--|------------|------------|------------|------------|------------|-----------|---------------------------|------------|---------|-------------|
| 100 | 5290 | 7615 | 13544 | 17780 | 21160 | 37626 | 58808 | 75466 | 85152 | 102662 |
| 105 | 5521 | 7949 | 14137 | 18558 | 22086 | 39273 | 61381 | 78768 | 88878 | 107154 |
| 110 | 5753 | 8282 | 14729 | 19336 | 23012 | 40919 | 63954 | 82070 | 92604 | 111646 |
| 115 | 5984 | 8615 | 15322 | 20114 | 23938 | 42565 | 66528 | 85372 | 96330 | 116138 |
| 120 | 6215 | 8948 | 15915 | 20892 | 24863 | 44212 | 69101 | 88674 | 100056 | 120630 |
| 125 | 6447 | 9282 | 16507 | 21670 | 25789 | 45858 | 71674 | 91976 | 103782 | 125122 |
| 130 | 6678 | 9615 | 17100 | 22449 | 26715 | 47505 | 74247 | 95278 | 107507 | 129614 |
| 135 | 6910 | 9948 | 17693 | 23227 | 27641 | 49151 | 76820 | 98580 | 111233 | 134106 |
| 140 | 7141 | 10281 | 18285 | 24005 | 28567 | 50797 | 79394 | 101883 | 114959 | 138598 |
| 145 | 7373 | 10614 | 18878 | 24783 | 29493 | 52444 | 81967 | 105185 | 118685 | 143090 |
| 150 | 7604 | 10948 | 19471 | 25561 | 30419 | 54090 | 84540 | 108487 | 122411 | 147582 |
| 155 | 7836 | 11281 | 20063 | 26339 | 31345 | 55736 | 87113 | 111789 | 126137 | 152074 |
| 160 | 8067 | 11614 | 20656 | 27117 | 32271 | 57383 | 89686 | 115091 | 129863 | 156566 |
| 165 | 8299 | 11947 | 21249 | 27895 | 33196 | 59029 | 92259 | 118393 | 133589 | 161058 |
| 170 | 8530 | 12281 | 21841 | 28673 | 34122 | 60676 | 94833 | 121695 | 137314 | 165550 |
| 175 | 8762 | 12614 | 22434 | 29451 | 35048 | 62322 | 97406 | 124997 | 141040 | 170042 |
| 180 | 8993 | 12947 | 23026 | 30229 | 35974 | 63968 | 99979 | 128299 | 144766 | 174534 |
| 185 | 9225 | 13280 | 23619 | 31007 | 36900 | 65615 | 102552 | 131601 | 148492 | 179026 |
| 190 | 9456 | 13614 | 24212 | 31785 | 37826 | 67261 | 105125 | 134903 | 152218 | 183518 |
| 195 | 9688 | 13947 | 24804 | 32563 | 38752 | 68907 | 107699 | 138205 | 155944 | 188010 |
| 200 | 9919 | 14280 | 25397 | 33341 | 39678 | 70554 | 110272 | 141507 | 159670 | 192502 |
| 205 | 10150 | 14613 | 25990 | 34119 | 40603 | 72200 | 112845 | 144809 | 163396 | 196994 |
| 210 | 10382 | 14946 | 26582 | 34897 | 41529 | 73847 | 115418 | 148111 | 167122 | 201486 |
| 215 | 10613 | 15280 | 27175 | 35675 | 42455 | 75493 | 117991 | 151413 | 170847 | 205978 |
| 220 | 10845 | 15613 | 27768 | 36453 | 43381 | 77139 | 120565 | 154716 | 174573 | 210470 |
| 225 | 11076 | 15946 | 28360 | 37231 | 44307 | 78786 | 123138 | 158018 | 178299 | 214962 |
| 230 | 11308 | 16279 | 28953 | 38009 | 45233 | 80432 | 125711 | 161320 | 182025 | 219454 |
| 235 | 11539 | 16613 | 29546 | 38787 | 46159 | 82078 | 128284 | 164622 | 185751 | 223946 |
| 240 | 11771 | 16946 | 30138 | 39565 | 47085 | 83725 | 130857 | 167924 | 189477 | 228438 |
| 245 | 12002 | 17279 | 30731 | 40343 | 48010 | 85371 | 133430 | 171226 | 193203 | 232930 |
| 250 | 12234 | 17612 | 31324 | 41121 | 48936 | 87018 | 136004 | 174528 | 196929 | 237422 |
| 255 | 12465 | 17946 | 31916 | 41899 | 49862 | 88664 | 138577 | 177830 | 200654 | 241914 |
| 260 | 12697 | 18279 | 32509 | 42677 | 50788 | 90310 | 141150 | 181132 | 204380 | 246406 |
| 265 | 12928 | 18612 | 33101 | 43455 | 51714 | 91957 | 143723 | 184434 | 208106 | 250898 |
| 270 | 13160 | 18945 | 33694 | 44233 | 52640 | 93603 | 146296 | 187736 | 211832 | 255390 |
| 275 | 13391 | 19279 | 34287 | 45011 | 53566 | 95249 | 148870 | 191038 | 215558 | 259882 |
| 280 | 13623 | 19612 | 34879 | 45789 | 54492 | 96896 | 151443 | 194340 | 219284 | 264374 |
| 285 | 13854 | 19945 | 35472 | 46567 | 55418 | 98542 | 154016 | 197642 | 223010 | 268866 |
| 290 | 14085 | 20278 | 36065 | 47345 | 56343 | 100189 | 156589 | 200944 | 226736 | 273358 |
| 295 | 14317 | 20611 | 36657 | 48123 | 57269 | 101835 | 159162 | 204246 | 230462 | 277850 |
| 300 | 14548 | 20945 | 37250 | 48901 | 58195 | 103481 | 161736 | 207549 | 234187 | 282342 |
| 305 | 14780 | 21278 | 37843 | 49679 | 59121 | 105128 | 164309 | 210851 | 237913 | 286834 |
| 310 | 15011 | 21611 | 38435 | 50457 | 60047 | 106774 | 166882 | 214153 | 241639 | 291326 |
| 315 | 15243 | 21944 | 39028 | 51235 | 60973 | 108420 | 169455 | 217455 | 245365 | 295818 |
| 320 | 15474 | 22278 | 39621 | 52013 | 61899 | 110067 | 172028 | 220757 | 249091 | 300310 |
| 325 | 15706 | 22611 | 40213 | 52791 | 62825 | 111713 | 174601 | 224059 | 252817 | 304802 |
| 330 | 15937 | 22944 | 40806 | 53569 | 63750 | 113360 | 177175 | 227361 | 256543 | 309294 |
| 335 | 16169 | 23277 | 41399 | 54347 | 64676 | 115006 | 179748 | 230663 | 260269 | 313786 |
| 340 | 16400 | 23611 | 41991 | 55125 | 65602 | 116652 | 182321 | 233965 | 263994 | 318278 |
| 345 | 16632 | 23944 | 42584 | 55903 | 66528 | 118299 | 184894 | 237267 | 267720 | 322770 |

Orifice Capacities (Contd.)

ASME, B & PVC, Section I rating - 2001 Edition pounds per hour saturated steam at 3% overpressure, 90% of actual capacity

W=51.5KAP for "P" less than or equal to 1580 psia

K=.878 (4" Q — K = .792)

W=51.5KAP x [.1906P-1000/.2292P-1061] for "P" greater than 1580 psia

A= flow area in sq. in.

P= (1.03 x set pressure) + 14.7

Apply correction factor for capacities on superheated steam. Correction factor tables begin on page 1700.66. Review pressure temperature limits. Pressure temperature tables begin on page 1700.32. The 1700 is certified as a restricted lift valve and capacities can be restricted down to 30% of its full rated capacity.

Orifice Designation & Area – Square Inches

| Orifice Designation Orifice Area Sq. In. Set Pressure (psig) | 1 0.994 | 2 1.431 | 3 2.545 | 5 3.341 | 4 3.976 | 6 7.07 | Q 4"=12.25 6"=11.05 | 8 14.18 | R 16 | RR 19.29 |
|--|------------|------------|------------|------------|------------|-----------|---------------------------|------------|---------|-------------|
| 350 | 16863 | 24277 | 43176 | 56681 | 67454 | 119945 | 187467 | 240569 | 271446 | 327262 |
| 355 | 17095 | 24610 | 43769 | 57459 | 68380 | 121591 | 190041 | 243871 | 275172 | 331754 |
| 360 | 17326 | 24943 | 44362 | 58237 | 69306 | 123238 | 192614 | 247173 | 278898 | 336246 |
| 365 | 17558 | 25277 | 44954 | 59015 | 70232 | 124884 | 195187 | 250475 | 282624 | 340738 |
| 370 | 17789 | 25610 | 45547 | 59793 | 71158 | 126531 | 197760 | 253777 | 286350 | 345230 |
| 375 | 18020 | 25943 | 46140 | 60571 | 72083 | 128177 | 200333 | 257079 | 290076 | 349722 |
| 380 | 18252 | 26276 | 46732 | 61349 | 73009 | 129823 | 202906 | 260382 | 293801 | 354215 |
| 385 | 18483 | 26610 | 47325 | 62127 | 73935 | 131470 | 205480 | 263684 | 297527 | 358707 |
| 390 | 18715 | 26943 | 47918 | 62905 | 74861 | 133116 | 208053 | 266986 | 301253 | 363199 |
| 395 | 18946 | 27276 | 48510 | 63683 | 75787 | 134762 | 210626 | 270288 | 304979 | 367691 |
| 400 | 19178 | 27609 | 49103 | 64461 | 76713 | 136409 | 213199 | 273590 | 308705 | 372183 |
| 405 | 19409 | 27943 | 49696 | 65239 | 77639 | 138055 | 215772 | 276892 | 312431 | 376675 |
| 410 | 19641 | 28276 | 50288 | 66017 | 78565 | 139701 | 218346 | 280194 | 316157 | 381167 |
| 415 | 19872 | 28609 | 50881 | 66795 | 79490 | 141348 | 220919 | 283496 | 319883 | 385659 |
| 420 | 20104 | 28942 | 51474 | 67573 | 80416 | 142994 | 223492 | 286798 | 323609 | 390151 |
| 425 | 20335 | 29276 | 52066 | 68351 | 81342 | 144641 | 226065 | 290100 | 327334 | 394643 |
| 430 | 20567 | 29609 | 52659 | 69129 | 82268 | 146287 | 228638 | 293402 | 331060 | 399135 |
| 435 | 20798 | 29942 | 53252 | 69907 | 83194 | 147933 | 231212 | 296704 | 334786 | 403627 |
| 440 | 21030 | 30275 | 53844 | 70685 | 84120 | 149580 | 233785 | 300006 | 338512 | 408119 |
| 445 | 21261 | 30608 | 54437 | 71463 | 85046 | 151226 | 236358 | 303308 | 342238 | 412611 |
| 450 | 21493 | 30942 | 55029 | 72241 | 85972 | 152872 | 238931 | 306610 | 345964 | 417103 |
| 455 | 21724 | 31275 | 55622 | 73019 | 86898 | 154519 | 241504 | 309912 | 349690 | 421595 |
| 460 | 21955 | 31608 | 56215 | 73797 | 87823 | 156165 | 244077 | 313214 | 353416 | 426087 |
| 465 | 22187 | 31941 | 56807 | 74575 | 88749 | 157812 | 246651 | 316517 | 357141 | 430579 |
| 470 | 22418 | 32275 | 57400 | 75353 | 89675 | 159458 | 249224 | 319819 | 360867 | 435071 |
| 475 | 22650 | 32608 | 57993 | 76131 | 90601 | 161104 | 251797 | 323121 | 364593 | 439563 |
| 480 | 22881 | 32941 | 58585 | 76909 | 91527 | 162751 | 254370 | 326423 | 368319 | 444055 |
| 485 | 23113 | 33274 | 59178 | 77687 | 92453 | 164397 | 256943 | 329725 | 372045 | 448547 |
| 490 | 23344 | 33608 | 59771 | 78465 | 93379 | 166043 | 259517 | 333027 | 375771 | 453039 |
| 495 | 23576 | 33941 | 60363 | 79243 | 94305 | 167690 | 262090 | 336329 | 379497 | 457531 |
| 500 | 23807 | 34274 | 60956 | 80021 | 95230 | 169336 | 264663 | 339631 | 383223 | 462023 |
| 505 | 24039 | 34607 | 61549 | 80799 | 96156 | 170983 | 267236 | 342933 | 386948 | 466515 |
| 510 | 24270 | 34940 | 62141 | 81577 | 97082 | 172629 | 269809 | 346235 | 390674 | 471007 |
| 515 | 24502 | 35274 | 62734 | 82355 | 98008 | 174275 | 272383 | 349537 | 394400 | 475499 |
| 520 | 24733 | 35607 | 63327 | 83133 | 98934 | 175922 | 274956 | 352839 | 398126 | 479991 |
| 525 | 24965 | 35940 | 63919 | 83911 | 99860 | 177568 | 277529 | 356141 | 401852 | 484483 |
| 530 | 25196 | 36273 | 64512 | 84689 | 100786 | 179214 | 280102 | 359443 | 405578 | 488975 |
| 535 | 25428 | 36607 | 65104 | 85467 | 101712 | 180861 | 282675 | 362745 | 409304 | 493467 |
| 540 | 25659 | 36940 | 65697 | 86245 | 102637 | 182507 | 285248 | 366047 | 413030 | 497959 |
| 545 | 25890 | 37273 | 66290 | 87023 | 103563 | 184154 | 287822 | 369350 | 416756 | 502451 |
| 550 | 26122 | 37606 | 66882 | 87801 | 104489 | 185800 | 290395 | 372652 | 420481 | 506943 |
| 555 | 26353 | 37940 | 67475 | 88579 | 105415 | 187446 | 292968 | 375954 | 424207 | 511435 |
| 560 | 26585 | 38273 | 68068 | 89357 | 106341 | 189093 | 295541 | 379256 | 427933 | 515927 |
| 565 | 26816 | 38606 | 68660 | 90135 | 107267 | 190739 | 298114 | 382558 | 431659 | 520419 |
| 570 | 27048 | 38939 | 69253 | 90913 | 108193 | 192385 | 300688 | 385860 | 435385 | 524911 |
| 575 | 27279 | 39273 | 69846 | 91691 | 109119 | 194032 | 303261 | 389162 | 439111 | 529403 |
| 580 | 27511 | 39606 | 70438 | 92469 | 110045 | 195678 | 305834 | 392464 | 442837 | 533895 |
| 585 | 27742 | 39939 | 71031 | 93247 | 110971 | 197325 | 308407 | 395766 | 446563 | 538387 |
| 590 | 27974 | 40272 | 71624 | 94025 | 111896 | 198971 | 310980 | 399068 | 450288 | 542879 |
| 595 | 28205 | 40605 | 72216 | 94803 | 112822 | 200617 | 313554 | 402370 | 454014 | 547371 |

Orifice Capacities (Contd.)

ASME, B & PVC, Section I rating - 2001 Edition

pounds per hour saturated steam at 3% overpressure, 90% of actual capacity

W=51.5KAP for "P" less than or equal to 1580 psia

K=.878 (4" Q - K = .792)

W=51.5KAP x [.1906P-1000/.2292P-1061] for "P" greater than 1580 psia

A= flow area in sq. in.

P= (1.03 x set pressure) + 14.7

Apply correction factor for capacities on superheated steam. Correction factor tables begin on page 1700.66. Review pressure temperature limits. Pressure temperature tables begin on page 1700.32. The 1700 is certified as a restricted lift valve and capacities can be restricted down to 30% of its full rated capacity.

Orifice Designation & Area – Square Inches

| Orifice Designation Orifice Area Sq. In. Set Pressure (psig) | 1 0.994 | 2 1.431 | 3 2.545 | 5 3.341 | 4 3.976 | 6 7.07 | Q 4"=12.25 6"=11.05 | 8 14.18 | R 16 | RR 19.29 |
|--|------------|------------|------------|------------|------------|-----------|---------------------------|------------|---------|-------------|
| 600 | 28437 | 40939 | 72809 | 95581 | 113748 | 202264 | 316127 | 405672 | 457740 | 551863 |
| 605 | 28668 | 41272 | 73402 | 96359 | 114674 | 203910 | 318700 | 408974 | 461466 | 556355 |
| 610 | 28900 | 41605 | 73994 | 97138 | 115600 | 205556 | 321273 | 412276 | 465192 | 560847 |
| 615 | 29131 | 41938 | 74587 | 97916 | 116526 | 207203 | 323846 | 415578 | 468918 | 565339 |
| 620 | 29363 | 42272 | 75179 | 98694 | 117452 | 208849 | 326419 | 418880 | 472644 | 569831 |
| 625 | 29594 | 42605 | 75772 | 99472 | 118377 | 210496 | 328993 | 422183 | 476370 | 574323 |
| 630 | 29825 | 42938 | 76365 | 100250 | 119303 | 212142 | 331566 | 425485 | 480096 | 578815 |
| 635 | 30057 | 43271 | 76957 | 101028 | 120229 | 213788 | 334139 | 428787 | 483821 | 583307 |
| 640 | 30288 | 43605 | 77550 | 101806 | 121155 | 215435 | 336712 | 432089 | 487547 | 587799 |
| 645 | 30520 | 43938 | 78143 | 102584 | 122081 | 217081 | 339285 | 435391 | 491273 | 592291 |
| 650 | 30751 | 44271 | 78735 | 103362 | 123007 | 218727 | 341859 | 438693 | 494999 | 596783 |
| 655 | 30983 | 44604 | 79328 | 104140 | 123933 | 220374 | 344432 | 441995 | 498725 | 601275 |
| 660 | 31214 | 44937 | 79921 | 104918 | 124859 | 222020 | 347005 | 445297 | 502451 | 605767 |
| 665 | 31446 | 45271 | 80513 | 105696 | 125785 | 223667 | 349578 | 448599 | 506177 | 610259 |
| 670 | 31677 | 45604 | 81106 | 106474 | 126710 | 225313 | 352151 | 451901 | 509903 | 614751 |
| 675 | 31909 | 45937 | 81699 | 107252 | 127636 | 226959 | 354724 | 455203 | 513628 | 619243 |
| 680 | 32140 | 46270 | 82291 | 108030 | 128562 | 228606 | 357298 | 458505 | 517354 | 623735 |
| 685 | 32372 | 46604 | 82884 | 108808 | 129488 | 230252 | 359871 | 461807 | 521080 | 628227 |
| 690 | 32603 | 46937 | 83477 | 109586 | 130414 | 231898 | 362444 | 465109 | 524806 | 632719 |
| 695 | 32835 | 47270 | 84069 | 110364 | 131340 | 233545 | 365017 | 468411 | 528532 | 637211 |
| 700 | 33066 | 47603 | 84662 | 111142 | 132266 | 235191 | 367590 | 471713 | 532258 | 641703 |
| 705 | 33298 | 47937 | 85254 | 111920 | 133192 | 236838 | 370164 | 475016 | 535984 | 646195 |
| 710 | 33529 | 48270 | 85847 | 112698 | 134117 | 238484 | 372737 | 478318 | 539710 | 650688 |
| 715 | 33760 | 48603 | 86440 | 113476 | 135043 | 240130 | 375310 | 481620 | 543435 | 655180 |
| 720 | 33992 | 48936 | 87032 | 114254 | 135969 | 241777 | 377883 | 484922 | 547161 | 659672 |
| 725 | 34223 | 49270 | 87625 | 115032 | 136895 | 243423 | 380456 | 488224 | 550887 | 664164 |
| 730 | 34455 | 49603 | 88218 | 115810 | 137821 | 245069 | 383030 | 491526 | 554613 | 668656 |
| 735 | 34686 | 49936 | 88810 | 116588 | 138747 | 246716 | 385603 | 494828 | 558339 | 673148 |
| 740 | 34918 | 50269 | 89403 | 117366 | 139673 | 248362 | 388176 | 498130 | 562065 | 677640 |
| 745 | 35149 | 50602 | 89996 | 118144 | 140599 | 250009 | 390749 | 501432 | 565791 | 682132 |
| 750 | 35381 | 50936 | 90588 | 118922 | 141525 | 251655 | 393322 | 504734 | 569517 | 686624 |
| 755 | 35612 | 51269 | 91181 | 119700 | 142450 | 253301 | 395895 | 508036 | 573243 | 691116 |
| 760 | 35844 | 51602 | 91774 | 120478 | 143376 | 254948 | 398469 | 511338 | 576968 | 695608 |
| 765 | 36075 | 51935 | 92366 | 121256 | 144302 | 256594 | 401042 | 514640 | 580694 | 700100 |
| 770 | 36307 | 52269 | 92959 | 122034 | 145228 | 258240 | 403615 | 517942 | 584420 | 704592 |
| 775 | 36538 | 52602 | 93552 | 122812 | 146154 | 259887 | 406188 | 521244 | 588146 | 709084 |
| 780 | 36770 | 52935 | 94144 | 123590 | 147080 | 261533 | 408761 | 524546 | 591872 | 713576 |
| 785 | 37001 | 53268 | 94737 | 124368 | 148006 | 263180 | 411335 | 527849 | 595598 | 718068 |
| 790 | 37233 | 53602 | 95330 | 125146 | 148932 | 264826 | 413908 | 531151 | 599324 | 722560 |
| 795 | 37464 | 53935 | 95922 | 125924 | 149857 | 266472 | 416481 | 534453 | 603050 | 727052 |
| 800 | 37695 | 54268 | 96515 | 126702 | 150783 | 268119 | 419054 | 537755 | 606775 | 731544 |
| 805 | 37927 | 54601 | 97107 | 127480 | 151709 | 269765 | 421627 | 541057 | 610501 | 736036 |
| 810 | 38158 | 54934 | 97700 | 128258 | 152635 | 271411 | 424201 | 544359 | 614227 | 740528 |
| 815 | 38390 | 55268 | 98293 | 129036 | 153561 | 273058 | 426774 | 547661 | 617953 | 745020 |
| 820 | 38621 | 55601 | 98885 | 129814 | 154487 | 274704 | 429347 | 550963 | 621679 | 749512 |
| 825 | 38853 | 55934 | 99478 | 130592 | 155413 | 276350 | 431920 | 554265 | 625405 | 754004 |
| 830 | 39084 | 56267 | 100071 | 131370 | 156339 | 277997 | 434493 | 557567 | 629131 | 758496 |
| 835 | 39316 | 56601 | 100663 | 132148 | 157264 | 279643 | 437066 | 560869 | 632857 | 762988 |
| 840 | 39547 | 56934 | 101256 | 132926 | 158190 | 281290 | 439640 | 564171 | 636583 | 767480 |
| 845 | 39779 | 57267 | 101849 | 133704 | 159116 | 282936 | 442213 | 567473 | 640308 | 771972 |

Orifice Capacities (Contd.)

ASME, B & PVC, Section I rating - 2001 Edition

pounds per hour saturated steam at 3% overpressure, 90% of actual capacity

W=51.5KAP for "P" less than or equal to 1580 psia

K=.878 (4" Q - K = .792)

W=51.5KAP x [.1906P-1000/.2292P-1061] for "P" greater than 1580 psia

A= flow area in sq. in.

P= (1.03 x set pressure) + 14.7

Apply correction factor for capacities on superheated steam. Correction factor tables begin on page 1700.66. Review pressure temperature limits. Pressure temperature tables begin on page 1700.32. The 1700 is certified as a restricted lift valve and capacities can be restricted down to 30% of its full rated capacity.

Orifice Designation & Area - Square Inches

| Orifice Designation Orifice Area Sq. In. Set Pressure (psig) | 1 0.994 | 2 1.431 | 3 2.545 | 5 3.341 | 4 3.976 | 6 7.07 | Q 4"=12.25 6"=11.05 | 8 14.18 | R 16 | RR 19.29 |
|--|------------|------------|------------|------------|------------|-----------|---------------------------|------------|---------|-------------|
| 850 | 40010 | 57600 | 102441 | 134482 | 160042 | 284582 | 444786 | 570775 | 644034 | 776464 |
| 855 | 40242 | 57934 | 103034 | 135260 | 160968 | 286229 | 447359 | 574077 | 647760 | 780956 |
| 860 | 40473 | 58267 | 103627 | 136038 | 161894 | 287875 | 449932 | 577379 | 651486 | 785448 |
| 865 | 40705 | 58600 | 104219 | 136816 | 162820 | 289521 | 452506 | 580682 | 655212 | 789940 |
| 870 | 40936 | 58933 | 104812 | 137594 | 163746 | 291168 | 455079 | 583984 | 658938 | 794432 |
| 875 | 41168 | 59267 | 105405 | 138372 | 164672 | 292814 | 457652 | 587286 | 662664 | 798924 |
| 880 | 41399 | 59600 | 105997 | 139150 | 165597 | 294461 | 460225 | 590588 | 666390 | 803416 |
| 885 | 41630 | 59933 | 106590 | 139928 | 166523 | 296107 | 462798 | 593890 | 670115 | 807908 |
| 890 | 41862 | 60266 | 107182 | 140706 | 167449 | 297753 | 465372 | 597192 | 673841 | 812400 |
| 895 | 42093 | 60599 | 107775 | 141484 | 168375 | 299400 | 467945 | 600494 | 677567 | 816892 |
| 900 | 42325 | 60933 | 108368 | 142262 | 169301 | 301046 | 470518 | 603796 | 681293 | 821384 |
| 905 | 42556 | 61266 | 108960 | 143040 | 170227 | 302692 | 473091 | 607098 | 685019 | 825876 |
| 910 | 42788 | 61599 | 109553 | 143818 | 171153 | 304339 | 475664 | 610400 | 688745 | 830368 |
| 915 | 43019 | 61932 | 110146 | 144596 | 172079 | 305985 | 478237 | 613702 | 692471 | 834860 |
| 920 | 43251 | 62266 | 110738 | 145374 | 173004 | 307632 | 480811 | 617004 | 696197 | 839352 |
| 925 | 43482 | 62599 | 111331 | 146152 | 173930 | 309278 | 483384 | 620306 | 699922 | 843844 |
| 930 | 43714 | 62932 | 111924 | 146930 | 174856 | 310924 | 485957 | 623608 | 703648 | 848336 |
| 935 | 43945 | 63265 | 112516 | 147708 | 175782 | 312571 | 488530 | 626910 | 707374 | 852828 |
| 940 | 44177 | 63599 | 113109 | 148486 | 176708 | 314217 | 491103 | 630212 | 711100 | 857320 |
| 945 | 44408 | 63932 | 113702 | 149264 | 177634 | 315863 | 493677 | 633514 | 714826 | 861812 |
| 950 | 44640 | 64265 | 114294 | 150042 | 178560 | 317510 | 496250 | 636817 | 718552 | 866304 |
| 955 | 44871 | 64598 | 114887 | 150820 | 179486 | 319156 | 498823 | 640119 | 722278 | 870796 |
| 960 | 45103 | 64931 | 115480 | 151598 | 180412 | 320803 | 501396 | 643421 | 726004 | 875288 |
| 965 | 45334 | 65265 | 116072 | 152376 | 181337 | 322449 | 503969 | 646723 | 729730 | 879780 |
| 970 | 45565 | 65598 | 116665 | 153154 | 182263 | 324095 | 506542 | 650025 | 733455 | 884272 |
| 975 | 45797 | 65931 | 117257 | 153932 | 183189 | 325742 | 509116 | 653327 | 737181 | 888764 |
| 980 | 46028 | 66264 | 117850 | 154710 | 184115 | 327388 | 511689 | 656629 | 740907 | 893256 |
| 985 | 46260 | 66598 | 118443 | 155488 | 185041 | 329034 | 514262 | 659931 | 744633 | 897748 |
| 990 | 46491 | 66931 | 119035 | 156266 | 185967 | 330681 | 516835 | 663233 | 748359 | 902240 |
| 995 | 46723 | 67264 | 119628 | 157044 | 186893 | 332327 | 519408 | 666535 | 752085 | 906732 |
| 1000 | 46954 | 67597 | 120221 | 157822 | 187819 | 333974 | 521982 | 669837 | 755811 | 911224 |
| 1005 | 47186 | 67931 | 120813 | 158600 | 188744 | 335620 | 524555 | 673139 | 759537 | 915716 |
| 1010 | 47417 | 68264 | 121406 | 159378 | 189670 | 337266 | 527128 | 676441 | 763262 | 920208 |
| 1015 | 47649 | 68597 | 121999 | 160156 | 190596 | 338913 | 529701 | 679743 | 766988 | 924700 |
| 1020 | 47880 | 68930 | 122591 | 160934 | 191522 | 340559 | 532274 | 683045 | 770714 | 929192 |
| 1025 | 48112 | 69264 | 123184 | 161712 | 192448 | 342205 | 534848 | 686347 | 774440 | 933684 |
| 1030 | 48343 | 69597 | 123777 | 162490 | 193374 | 343852 | 537421 | 689650 | 778166 | 938176 |
| 1035 | 48575 | 69930 | 124369 | 163268 | 194300 | 345498 | 539994 | 692952 | 781892 | 942668 |
| 1040 | 48806 | 70263 | 124962 | 164046 | 195226 | 347145 | 542567 | 696254 | 785618 | 947160 |
| 1045 | 49038 | 70596 | 125555 | 164824 | 196152 | 348791 | 545140 | 699556 | 789344 | 951653 |
| 1050 | 49269 | 70930 | 126147 | 165602 | 197077 | 350437 | 547713 | 702858 | 793070 | 956145 |
| 1055 | 49500 | 71263 | 126740 | 166380 | 198003 | 352084 | 550287 | 706160 | 796795 | 960637 |
| 1060 | 49732 | 71596 | 127332 | 167158 | 198929 | 353730 | 552860 | 709462 | 800521 | 965129 |
| 1065 | 49963 | 71929 | 127925 | 167936 | 199855 | 355376 | 555433 | 712764 | 804247 | 969621 |
| 1070 | 50195 | 72263 | 128518 | 168714 | 200781 | 357023 | 558006 | 716066 | 807973 | 974113 |
| 1075 | 50426 | 72596 | 129110 | 169492 | 201707 | 358669 | 560579 | 719368 | 811699 | 978605 |
| 1080 | 50658 | 72929 | 129703 | 170270 | 202633 | 360316 | 563153 | 722670 | 815425 | 983097 |
| 1085 | 50889 | 73262 | 130296 | 171049 | 203559 | 361962 | 565726 | 725972 | 819151 | 987589 |
| 1090 | 51121 | 73596 | 130888 | 171827 | 204484 | 363608 | 568299 | 729274 | 822877 | 992081 |
| 1095 | 51352 | 73929 | 131481 | 172605 | 205410 | 365255 | 570872 | 732576 | 826602 | 996573 |

Orifice Capacities (Contd.)

ASME, B & PVC, Section I rating - 2001 Edition

pounds per hour saturated steam at 3% overpressure, 90% of actual capacity

W=51.5KAP for "P" less than or equal to 1580 psia

K=.878 (4" Q - K = .792)

W=51.5KAP x [.1906P-1000/.2292P-1061] for "P" greater than 1580 psia

A= flow area in sq. in.

P= (1.03 x set pressure) + 14.7

Apply correction factor for capacities on superheated steam. Correction factor tables begin on page 1700.66. Review pressure temperature limits. Pressure temperature tables begin on page 1700.32. The 1700 is certified as a restricted lift valve and capacities can be restricted down to 30% of its full rated capacity.

Orifice Designation & Area - Square Inches

| Orifice Designation Orifice Area Sq. In. Set Pressure (psig) | 1 0.994 | 2 1.431 | 3 2.545 | 5 3.341 | 4 3.976 | 6 7.07 | Q 4"=12.25 6"=11.05 | 8 14.18 | R 16 | RR 19.29 |
|--|------------|------------|------------|------------|------------|-----------|---------------------------|------------|---------|-------------|
| 1100 | 51584 | 74262 | 132074 | 173383 | 206336 | 366901 | 573445 | 735878 | 830328 | 1001065 |
| 1105 | 51815 | 74595 | 132666 | 174161 | 207262 | 368547 | 576019 | 739180 | 834054 | 1005557 |
| 1110 | 52047 | 74929 | 133259 | 174939 | 208188 | 370194 | 578592 | 742483 | 837780 | 1010049 |
| 1115 | 52278 | 75262 | 133852 | 175717 | 209114 | 371840 | 581165 | 745785 | 841506 | 1014541 |
| 1120 | 52510 | 75595 | 134444 | 176495 | 210040 | 373487 | 583738 | 749087 | 845232 | 1019033 |
| 1125 | 52741 | 75928 | 135037 | 177273 | 210966 | 375133 | 586311 | 752389 | 848958 | 1023525 |
| 1130 | 52972 | 76261 | 135630 | 178051 | 211891 | 376779 | 588884 | 755691 | 852684 | 1028017 |
| 1135 | 53204 | 76595 | 136222 | 178829 | 212817 | 378426 | 591458 | 758993 | 856409 | 1032509 |
| 1140 | 53435 | 76928 | 136815 | 179607 | 213743 | 380072 | 594031 | 762295 | 860135 | 1037001 |
| 1145 | 53667 | 77261 | 137408 | 180385 | 214669 | 381718 | 596604 | 765597 | 863861 | 1041493 |
| 1150 | 53898 | 77594 | 138000 | 181163 | 215595 | 383365 | 599177 | 768899 | 867587 | 1045985 |
| 1155 | 54130 | 77928 | 138593 | 181941 | 216521 | 385011 | 601750 | 772201 | 871313 | 1050477 |
| 1160 | 54361 | 78261 | 139185 | 182719 | 217447 | 386658 | 604324 | 775503 | 875039 | 1054969 |
| 1165 | 54593 | 78594 | 139778 | 183497 | 218373 | 388304 | 606897 | 778805 | 878765 | 1059461 |
| 1170 | 54824 | 78927 | 140371 | 184275 | 219299 | 389950 | 609470 | 782107 | 882491 | 1063953 |
| 1175 | 55056 | 79261 | 140963 | 185053 | 220224 | 391597 | 612043 | 785409 | 886217 | 1068445 |
| 1180 | 55287 | 79594 | 141556 | 185831 | 221150 | 393243 | 614616 | 788711 | 889942 | 1072937 |
| 1185 | 55519 | 79927 | 142149 | 186609 | 222076 | 394889 | 617190 | 792013 | 893668 | 1077429 |
| 1190 | 55750 | 80260 | 142741 | 187387 | 223002 | 396536 | 619763 | 795316 | 897394 | 1081921 |
| 1195 | 55982 | 80593 | 143334 | 188165 | 223928 | 398182 | 622336 | 798618 | 901120 | 1086413 |
| 1200 | 56213 | 80927 | 143927 | 188943 | 224854 | 399829 | 624909 | 801920 | 904846 | 1090905 |
| 1205 | 56445 | 81260 | 144519 | 189721 | 225780 | 401475 | 627482 | 805222 | 908572 | 1095397 |
| 1210 | 56676 | 81593 | 145112 | 190499 | 226706 | 403121 | 630055 | 808524 | 912298 | 1099889 |
| 1215 | 56907 | 81926 | 145705 | 191277 | 227631 | 404768 | 632629 | 811826 | 916024 | 1104381 |
| 1220 | 57139 | 82260 | 146297 | 192055 | 228557 | 406414 | 635202 | 815128 | 919749 | 1108873 |
| 1225 | 57370 | 82593 | 146890 | 192833 | 229483 | 408060 | 637775 | 818430 | 923475 | 1113365 |
| 1230 | 57602 | 82926 | 147483 | 193611 | 230409 | 409707 | 640348 | 821732 | 927201 | 1117857 |
| 1235 | 57833 | 83259 | 148075 | 194389 | 231335 | 411353 | 642921 | 825034 | 930927 | 1122349 |
| 1240 | 58065 | 83593 | 148668 | 195167 | 232261 | 413000 | 645495 | 828336 | 934653 | 1126841 |
| 1245 | 58296 | 83926 | 149260 | 195945 | 233187 | 414646 | 648068 | 831638 | 938379 | 1131333 |
| 1250 | 58528 | 84259 | 149853 | 196723 | 234113 | 416292 | 650641 | 834940 | 942105 | 1135825 |
| 1255 | 58759 | 84592 | 150446 | 197501 | 235039 | 417939 | 653214 | 838242 | 945831 | 1140317 |
| 1260 | 58991 | 84926 | 151038 | 198279 | 235964 | 419585 | 655787 | 841544 | 949557 | 1144809 |
| 1265 | 59222 | 85259 | 151631 | 199057 | 236890 | 421231 | 658360 | 844846 | 953282 | 1149301 |
| 1270 | 59454 | 85592 | 152224 | 199835 | 237816 | 422878 | 660934 | 848149 | 957008 | 1153793 |
| 1275 | 59685 | 85925 | 152816 | 200613 | 238742 | 424524 | 663507 | 851451 | 960734 | 1158285 |
| 1280 | 59917 | 86258 | 153409 | 201391 | 239668 | 426170 | 666080 | 854753 | 964460 | 1162777 |
| 1285 | 60148 | 86592 | 154002 | 202169 | 240594 | 427817 | 668653 | 858055 | 968186 | 1167269 |
| 1290 | 60380 | 86925 | 154594 | 202947 | 241520 | 429463 | 671226 | 861357 | 971912 | 1171761 |
| 1295 | 60611 | 87258 | 155187 | 203725 | 242446 | 431110 | 673800 | 864659 | 975638 | 1176253 |
| 1300 | 60842 | 87591 | 155780 | 204503 | 243371 | 432756 | 676373 | 867961 | 979364 | 1180745 |
| 1305 | 61074 | 87925 | 156372 | 205281 | 244297 | 434402 | 678946 | 871263 | 983089 | 1185237 |
| 1310 | 61305 | 88258 | 156965 | 206059 | 245223 | 436049 | 681519 | 874565 | 986815 | 1189729 |
| 1315 | 61537 | 88591 | 157558 | 206837 | 246149 | 437695 | 684092 | 877867 | 990541 | 1194221 |
| 1320 | 61768 | 88924 | 158150 | 207615 | 247075 | 439341 | 686666 | 881169 | 994267 | 1198713 |
| 1325 | 62000 | 89258 | 158743 | 208393 | 248001 | 440988 | 689239 | 884471 | 997993 | 1203205 |
| 1330 | 62231 | 89591 | 159335 | 209171 | 248927 | 442634 | 691812 | 887773 | 1001719 | 1207697 |
| 1335 | 62463 | 89924 | 159928 | 209949 | 249853 | 444281 | 694385 | 891075 | 1005445 | 1212189 |
| 1340 | 62694 | 90257 | 160521 | 210727 | 250779 | 445927 | 696958 | 894377 | 1009171 | 1216681 |
| 1345 | 62926 | 90590 | 161113 | 211505 | 251704 | 447573 | 699531 | 897679 | 1012896 | 1221173 |

Orifice Capacities (Contd.)

ASME, B & PVC, Section I rating - 2001 Edition

pounds per hour saturated steam at 3% overpressure, 90% of actual capacity

W=51.5KAP for "P" less than or equal to 1580 psia

K=.878 (4" Q - K = .792)

W=51.5KAP x [.1906P-1000/.2292P-1061] for "P" greater than 1580 psia

A= flow area in sq. in.

P= (1.03 x set pressure) + 14.7

Apply correction factor for capacities on superheated steam. Correction factor tables begin on page 1700.66. Review pressure temperature limits. Pressure temperature tables begin on page 1700.32. The 1700 is certified as a restricted lift valve and capacities can be restricted down to 30% of its full rated capacity.

Orifice Designation & Area - Square Inches

| Orifice Designation Orifice Area Sq. In. Set Pressure (psig) | 1 0.994 | 2 1.431 | 3 2.545 | 5 3.341 | 4 3.976 | 6 7.07 | Q 4"=12.25 6"=11.05 | 8 14.18 | R 16 | RR 19.29 |
|--|------------|------------|------------|------------|------------|-----------|---------------------------|------------|---------|-------------|
| 1350 | 63157 | 90924 | 161706 | 212283 | 252630 | 449220 | 702105 | 900982 | 1016622 | 1225665 |
| 1355 | 63389 | 91257 | 162299 | 213061 | 253556 | 450866 | 704678 | 904284 | 1020348 | 1230157 |
| 1360 | 63620 | 91590 | 162891 | 213839 | 254482 | 452512 | 707251 | 907586 | 1024074 | 1234649 |
| 1365 | 63852 | 91923 | 163484 | 214617 | 255408 | 454159 | 709824 | 910888 | 1027800 | 1239141 |
| 1370 | 64083 | 92257 | 164077 | 215395 | 256334 | 455805 | 712397 | 914190 | 1031526 | 1243633 |
| 1375 | 64315 | 92590 | 164669 | 216173 | 257260 | 457452 | 714971 | 917492 | 1035252 | 1248126 |
| 1380 | 64546 | 92923 | 165262 | 216951 | 258186 | 459098 | 717544 | 920794 | 1038978 | 1252618 |
| 1385 | 64777 | 93256 | 165855 | 217729 | 259111 | 460744 | 720117 | 924096 | 1042704 | 1257110 |
| 1390 | 65009 | 93590 | 166447 | 218507 | 260037 | 462391 | 722690 | 927398 | 1046429 | 1261602 |
| 1395 | 65240 | 93923 | 167040 | 219285 | 260963 | 464037 | 725263 | 930700 | 1050155 | 1266094 |
| 1400 | 65472 | 94256 | 167633 | 220063 | 261889 | 465683 | 727837 | 934002 | 1053881 | 1270586 |
| 1405 | 65703 | 94589 | 168225 | 220841 | 262815 | 467330 | 730410 | 937304 | 1057607 | 1275078 |
| 1410 | 65935 | 94923 | 168818 | 221619 | 263741 | 468976 | 732983 | 940606 | 1061333 | 1279570 |
| 1415 | 66166 | 95256 | 169410 | 222397 | 264667 | 470623 | 735556 | 943908 | 1065059 | 1284062 |
| 1420 | 66398 | 95589 | 170003 | 223175 | 265593 | 472269 | 738129 | 947210 | 1068785 | 1288554 |
| 1425 | 66629 | 95922 | 170596 | 223953 | 266519 | 473915 | 740702 | 950512 | 1072511 | 1293046 |
| 1430 | 66861 | 96255 | 171188 | 224731 | 267444 | 475562 | 743276 | 953814 | 1076236 | 1297538 |
| 1435 | 67092 | 96589 | 171781 | 225509 | 268370 | 477208 | 745849 | 957117 | 1079962 | 1302030 |
| 1440 | 67324 | 96922 | 172374 | 226287 | 269296 | 478854 | 748422 | 960419 | 1083688 | 1306522 |
| 1445 | 67555 | 97255 | 172966 | 227065 | 270222 | 480501 | 750995 | 963721 | 1087414 | 1311014 |
| 1450 | 67787 | 97588 | 173559 | 227843 | 271148 | 482147 | 753568 | 967023 | 1091140 | 1315506 |
| 1455 | 68018 | 97922 | 174152 | 228621 | 272074 | 483794 | 756142 | 970325 | 1094866 | 1319998 |
| 1460 | 68250 | 98255 | 174744 | 229399 | 273000 | 485440 | 758715 | 973627 | 1098592 | 1324490 |
| 1465 | 68481 | 98588 | 175337 | 230177 | 273926 | 487086 | 761288 | 976929 | 1102318 | 1328982 |
| 1470 | 68712 | 98921 | 175930 | 230955 | 274851 | 488733 | 763861 | 980231 | 1106043 | 1333474 |
| 1475 | 68944 | 99255 | 176522 | 231733 | 275777 | 490379 | 766434 | 983533 | 1109769 | 1337966 |
| 1480 | 69175 | 99588 | 177115 | 232511 | 276703 | 492025 | 769008 | 986835 | 1113495 | 1342458 |
| 1485 | 69407 | 99921 | 177708 | 233289 | 277629 | 493672 | 771581 | 990137 | 1117221 | 1346950 |
| 1490 | 69638 | 100254 | 178300 | 234067 | 278555 | 495318 | 774154 | 993439 | 1120947 | 1351442 |
| 1495 | 69870 | 100587 | 178893 | 234845 | 279481 | 496965 | 776727 | 996741 | 1124673 | 1355934 |
| 1500 | 70101 | 100921 | 179486 | 235623 | 280407 | 498611 | 779300 | 1000043 | 1128399 | 1360426 |
| 1505 | 70333 | 101254 | 180078 | 236401 | 281333 | 500257 | 781873 | 1003345 | 1132125 | 1364918 |
| 1510 | 70564 | 101587 | 180671 | 237179 | 282258 | 501904 | 784447 | 1006647 | 1135851 | 1369410 |
| 1515 | 70796 | 101920 | 181263 | 237957 | 283184 | 503550 | 787020 | 1009950 | 1139576 | 1373902 |
| 1520 | 71027 | 102254 | 181856 | 238735 | 284110 | 505196 | 789593 | 1013252 | 1143302 | 1378394 |
| 1525 | 71279 | 102616 | 182501 | 239582 | 285117 | 506987 | 792391 | 1016843 | 1147354 | 1382796 |
| 1530 | 71531 | 102979 | 183146 | 240428 | 286125 | 508779 | 795193 | 1020437 | 1151410 | 1388169 |
| 1535 | 71783 | 103342 | 183791 | 241276 | 287134 | 510573 | 797996 | 1024035 | 1155470 | 1393063 |
| 1540 | 72035 | 103705 | 184438 | 242124 | 288143 | 512368 | 800802 | 1027635 | 1159532 | 1397961 |
| 1545 | 72288 | 104069 | 185084 | 242973 | 289154 | 514164 | 803610 | 1031238 | 1163598 | 1402863 |
| 1550 | 72541 | 104433 | 185732 | 243823 | 290165 | 515963 | 806420 | 1034845 | 1167667 | 1407768 |
| 1555 | 72794 | 104797 | 186379 | 244673 | 291177 | 517762 | 809232 | 1038454 | 1171739 | 1412678 |
| 1560 | 73047 | 105161 | 187028 | 245524 | 292190 | 519563 | 812047 | 1042066 | 1175815 | 1417592 |
| 1565 | 73300 | 105526 | 187676 | 246376 | 293203 | 521365 | 814864 | 1045681 | 1179894 | 1422510 |
| 1570 | 73554 | 105891 | 188326 | 247229 | 294218 | 523169 | 817684 | 1049299 | 1183976 | 1427432 |
| 1575 | 73808 | 106257 | 188976 | 248082 | 295233 | 524975 | 820505 | 1052920 | 1188062 | 1432358 |
| 1580 | 74062 | 106623 | 189626 | 248936 | 296249 | 526782 | 823330 | 1056544 | 1192152 | 1437288 |
| 1585 | 74316 | 106989 | 190277 | 249790 | 297266 | 528590 | 826156 | 1060171 | 1196244 | 1442222 |
| 1590 | 74571 | 107355 | 190929 | 250646 | 298284 | 530400 | 828985 | 1063802 | 1200340 | 1447160 |
| 1595 | 74825 | 107722 | 191581 | 251502 | 299303 | 532212 | 831816 | 1067435 | 1204440 | 1452103 |

Orifice Capacities (Contd.)

ASME, B & PVC, Section I rating - 2001 Edition

pounds per hour saturated steam at 3% overpressure, 90% of actual capacity

W=51.5KAP for "P" less than or equal to 1580 psia

K=.878 (4" Q — K = .792)

W=51.5KAP x [.1906P-1000/.2292P-1061] for "P" greater than 1580 psia

A= flow area in sq. in.

P= (1.03 x set pressure) + 14.7

Apply correction factor for capacities on superheated steam. Correction factor tables begin on page 1700.66. Review pressure temperature limits. Pressure temperature tables begin on page 1700.32. The 1700 is certified as a restricted lift valve and capacities can be restricted down to 30% of its full rated capacity.

Orifice Designation & Area – Square Inches

| Orifice Designation Orifice Area Sq. In. Set Pressure (psig) | 1 0.994 | 2 1.431 | 3 2.545 | 5 3.341 | 4 3.976 | 6 7.07 | Q 4"=12.25 6"=11.05 | 8 14.18 | R 16 | RR 19.29 |
|--|------------|------------|------------|------------|------------|-----------|---------------------------|------------|---------|-------------|
| 1600 | 75080 | 108089 | 192233 | 252358 | 300323 | 534025 | 834650 | 1071071 | 1208543 | 1457050 |
| 1605 | 75335 | 108456 | 192877 | 253216 | 301343 | 535839 | - | - | - | - |
| 1610 | 75591 | 108823 | 193540 | 254074 | 302364 | 537655 | - | - | - | - |
| 1615 | 75846 | 109191 | 194195 | 254933 | 303387 | 539473 | - | - | - | - |
| 1620 | 76102 | 109560 | 194850 | 255793 | 304410 | 541292 | - | - | - | - |
| 1625 | 76358 | 109928 | 195505 | 256653 | 305434 | 543113 | - | - | - | - |
| 1630 | 76614 | 110297 | 196161 | 257515 | 306459 | 544936 | - | - | - | - |
| 1635 | 76871 | 110666 | 196818 | 258376 | 307484 | 546760 | - | - | - | - |
| 1640 | 77127 | 111036 | 197475 | 259239 | 308511 | 548585 | - | - | - | - |
| 1645 | 77384 | 111406 | 198133 | 260103 | 309539 | 550412 | - | - | - | - |
| 1650 | 77641 | 111776 | 198791 | 260967 | 310567 | 552241 | - | - | - | - |
| 1655 | 77899 | 112146 | 199450 | 261832 | 311597 | 554072 | - | - | - | - |
| 1660 | 78156 | 112517 | 200109 | 262698 | 312627 | 555904 | - | - | - | - |
| 1665 | 78414 | 112888 | 200769 | 263564 | 313658 | 557738 | - | - | - | - |
| 1670 | 78672 | 113260 | 201430 | 264432 | 314690 | 559573 | - | - | - | - |
| 1675 | 78930 | 113632 | 202091 | 265300 | 315723 | 561410 | - | - | - | - |
| 1680 | 79189 | 114004 | 202753 | 266169 | 316757 | 563249 | - | - | - | - |
| 1685 | 79448 | 114376 | 203416 | 267038 | 317792 | 565089 | - | - | - | - |
| 1690 | 79707 | 114749 | 204079 | 267909 | 318828 | 566931 | - | - | - | - |
| 1695 | 79966 | 115122 | 204743 | 268780 | 319865 | 568775 | - | - | - | - |
| 1700 | 80225 | 115496 | 205407 | 269652 | 320903 | 570621 | - | - | - | - |
| 1705 | 80485 | 115870 | 206072 | 270525 | 321942 | 572468 | - | - | - | - |
| 1710 | 80745 | 116244 | 206737 | 271399 | 322982 | 574317 | - | - | - | - |
| 1715 | 81005 | 116618 | 207404 | 272273 | 324023 | 576167 | - | - | - | - |
| 1720 | 81266 | 116993 | 208070 | 273149 | 325064 | 578020 | - | - | - | - |
| 1725 | 81526 | 117369 | 208738 | 274025 | 326107 | 579874 | - | - | - | - |
| 1730 | 81787 | 117744 | 209406 | 274902 | 327151 | 581730 | - | - | - | - |
| 1735 | 82049 | 118120 | 210075 | 275780 | 328196 | 583588 | - | - | - | - |
| 1740 | 82310 | 118497 | 210744 | 276659 | 329241 | 585447 | - | - | - | - |
| 1745 | 82572 | 118874 | 211414 | 277538 | 330288 | 587309 | - | - | - | - |
| 1750 | 82834 | 119251 | 212085 | 278419 | 331336 | 589172 | - | - | - | - |
| 1755 | 83096 | 119628 | 212756 | 279300 | 332385 | 591037 | - | - | - | - |
| 1760 | 83358 | 120006 | 213428 | 280182 | 333435 | 592903 | - | - | - | - |
| 1765 | 83621 | 120384 | 214101 | 281065 | 334485 | 594772 | - | - | - | - |
| 1770 | 83884 | 120763 | 214774 | 281949 | 335537 | 596642 | - | - | - | - |
| 1775 | 84147 | 121142 | 215448 | 282834 | 336590 | 598515 | - | - | - | - |
| 1780 | 84411 | 121521 | 216123 | 283719 | 337644 | 600389 | - | - | - | - |
| 1785 | 84674 | 121901 | 216798 | 284606 | 338699 | 602265 | - | - | - | - |
| 1790 | 84938 | 122281 | 217474 | 285493 | 339755 | 604143 | - | - | - | - |
| 1795 | 85203 | 122661 | 218151 | 286382 | 340812 | 606022 | - | - | - | - |
| 1800 | 85467 | 123042 | 218828 | 287271 | 341871 | 607904 | - | - | - | - |
| 1805 | 85732 | 123423 | 219506 | 288161 | 342930 | 609788 | - | - | - | - |
| 1810 | 85997 | 123805 | 220185 | 289052 | 343990 | 611673 | - | - | - | - |
| 1815 | 86263 | 124187 | 220864 | 289944 | 345052 | 613561 | - | - | - | - |
| 1820 | 86528 | 124569 | 221544 | 290837 | 346114 | 615450 | - | - | - | - |
| 1825 | 86794 | 124952 | 222225 | 291731 | 347178 | 617342 | - | - | - | - |
| 1830 | 87060 | 125336 | 222907 | 292625 | 348243 | 619235 | - | - | - | - |
| 1835 | 87327 | 125719 | 223589 | 293521 | 349309 | 621130 | - | - | - | - |
| 1840 | 87594 | 126103 | 224272 | 294418 | 350376 | 623028 | - | - | - | - |
| 1845 | 87861 | 126488 | 224956 | 295315 | 351444 | 624927 | - | - | - | - |

Orifice Capacities (Contd.)

ASME, B & PVC, Section I rating - 2001 Edition

pounds per hour saturated steam at 3% overpressure, 90% of actual capacity

W=51.5KAP for "P" less than or equal to 1580 psia

K=.878 (4" Q - K = .792)

W=51.5KAP x [.1906P-1000/.2292P-1061] for "P" greater than 1580 psia

A= flow area in sq. in.

P= (1.03 x set pressure) + 14.7

Apply correction factor for capacities on superheated steam. Correction factor tables begin on page 1700.66. Review pressure temperature limits. Pressure temperature tables begin on page 1700.32. The 1700 is certified as a restricted lift valve and capacities can be restricted down to 30% of its full rated capacity.

Orifice Designation & Area - Square Inches

| Orifice Designation Orifice Area Sq. In. Set Pressure (psig) | 1 0.994 | 2 1.431 | 3 2.545 | 5 3.341 | 4 3.976 | 6 7.07 | Q 4"=12.25 6"=11.05 | 8 14.18 | R 16 | RR 19.29 |
|--|------------|------------|------------|------------|------------|-----------|---------------------------|------------|---------|-------------|
| 1850 | 88128 | 126872 | 225640 | 296214 | 352513 | 626828 | - | - | - | - |
| 1855 | 88395 | 127258 | 226325 | 297113 | 353583 | 628732 | - | - | - | - |
| 1860 | 88663 | 127643 | 227011 | 298014 | 354655 | 630637 | - | - | - | - |
| 1865 | 88932 | 128029 | 227698 | 298915 | 355728 | 632544 | - | - | - | - |
| 1870 | 89200 | 128416 | 228385 | 299817 | 356802 | 634454 | - | - | - | - |
| 1875 | 89469 | 128803 | 229073 | 300721 | 357877 | 636366 | - | - | - | - |
| 1880 | 89738 | 129190 | 229762 | 301625 | 358953 | 638279 | - | - | - | - |
| 1885 | 90007 | 129578 | 230452 | 302530 | 360030 | 640195 | - | - | - | - |
| 1890 | 90277 | 129966 | 231142 | 303437 | 361109 | 642113 | - | - | - | - |
| 1895 | 90547 | 130355 | 231833 | 304344 | 362189 | 644033 | - | - | - | - |
| 1900 | 90817 | 130744 | 232525 | 305252 | 363270 | 645955 | - | - | - | - |
| 1905 | 91088 | 131133 | 233218 | 306162 | 364352 | 647879 | - | - | - | - |
| 1910 | 91358 | 131523 | 233911 | 307072 | 365435 | 649806 | - | - | - | - |
| 1915 | 91630 | 131914 | 234606 | 307983 | 366520 | 651735 | - | - | - | - |
| 1920 | 91901 | 132304 | 235301 | 308896 | 367606 | 653665 | - | - | - | - |
| 1925 | 92173 | 132696 | 235997 | 309809 | 368693 | 655598 | - | - | - | - |
| 1930 | 92445 | 133087 | 236693 | 310724 | 369781 | 657534 | - | - | - | - |
| 1935 | 92717 | 133480 | 237391 | 311639 | 370871 | 659471 | - | - | - | - |
| 1940 | 92990 | 133872 | 238089 | 312556 | 371961 | 661411 | - | - | - | - |
| 1945 | 93263 | 134265 | 238788 | 313474 | 373054 | 663353 | - | - | - | - |
| 1950 | 93536 | 134659 | 239488 | 314393 | 374147 | 665297 | - | - | - | - |
| 1955 | 93810 | 135053 | 240188 | 315312 | 375242 | 667243 | - | - | - | - |
| 1960 | 94084 | 135447 | 240890 | 316233 | 376338 | 669192 | - | - | - | - |
| 1965 | 94358 | 135842 | 241592 | 317155 | 377435 | 671143 | - | - | - | - |
| 1970 | 94633 | 136237 | 242295 | 318078 | 378533 | 673097 | - | - | - | - |
| 1975 | 94908 | 136633 | 242999 | 319003 | 379633 | 675052 | - | - | - | - |
| 1980 | 95183 | 137030 | 243704 | 319928 | 380734 | 677011 | - | - | - | - |
| 1985 | 95459 | 137426 | 244410 | 320854 | 381837 | 678971 | - | - | - | - |
| 1990 | 95735 | 137824 | 245117 | 321782 | 382941 | 680934 | - | - | - | - |
| 1995 | 96011 | 138221 | 245824 | 322711 | 384046 | 682899 | - | - | - | - |
| 2000 | 96288 | 138620 | 246532 | 323640 | 385152 | 684867 | - | - | - | - |
| 2005 | 96565 | 139018 | 247241 | 324571 | 386260 | 686837 | - | - | - | - |
| 2010 | 96842 | 139418 | 247951 | 325503 | 387370 | 688809 | - | - | - | - |
| 2015 | 97120 | 139817 | 248662 | 326437 | 388480 | 690784 | - | - | - | - |
| 2020 | 97398 | 140218 | 249374 | 327371 | 389592 | 692761 | - | - | - | - |
| 2025 | 97676 | 140618 | 250087 | 328307 | 390706 | 694741 | - | - | - | - |
| 2030 | 97955 | 141020 | 250800 | 329243 | 391821 | 696724 | - | - | - | - |
| 2035 | 98234 | 141421 | 251515 | 330181 | 392937 | 698708 | - | - | - | - |
| 2040 | 98513 | 141824 | 252230 | 331121 | 394054 | 700696 | - | - | - | - |
| 2045 | 98793 | 142226 | 252947 | 332061 | 395174 | 702686 | - | - | - | - |
| 2050 | 99073 | 142630 | 253664 | 333003 | 396294 | 704678 | - | - | - | - |
| 2055 | 99354 | 143033 | 254382 | 333945 | 397416 | 706673 | - | - | - | - |
| 2060 | 99634 | 143438 | 255101 | 334889 | 398539 | 708671 | - | - | - | - |
| 2065 | 99916 | 143843 | 255821 | 335835 | 399664 | 710671 | - | - | - | - |
| 2070 | 100197 | 144248 | 256542 | 336781 | 400791 | 712674 | - | - | - | - |
| 2075 | 100479 | 144654 | 257264 | 337729 | 401918 | 714679 | - | - | - | - |
| 2080 | 100762 | 145060 | 257987 | 338678 | 403048 | 716687 | - | - | - | - |
| 2085 | 101044 | 145467 | 258711 | 339628 | 404179 | 718698 | - | - | - | - |
| 2090 | 101327 | 145875 | 259436 | 340579 | 405311 | 720712 | - | - | - | - |
| 2095 | 101611 | 146283 | 260161 | 341532 | 406445 | 722728 | - | - | - | - |

Orifice Capacities (Contd.)

ASME, B & PVC, Section I rating - 2001 Edition

pounds per hour saturated steam at 3% overpressure, 90% of actual capacity

W=51.5KAP for "P" less than or equal to 1580 psia

K=.878 (4" Q - K = .792)

W=51.5KAP x [1.906P-1000/.2292P-1061] for "P" greater than 1580 psia

A= flow area in sq. in.

P= (1.03 x set pressure) + 14.7

Apply correction factor for capacities on superheated steam. Correction factor tables begin on page 1700.66. Review pressure temperature limits. Pressure temperature tables begin on page 1700.32. The 1700 is certified as a restricted lift valve and capacities can be restricted down to 30% of its full rated capacity.

Orifice Designation & Area – Square Inches

| Orifice Designation Orifice Area Sq. In. Set Pressure (psig) | 1 0.994 | 2 1.431 | 3 2.545 | 5 3.341 | 4 3.976 | 6 7.07 | Q 4"=12.25 6"=11.05 | 8 14.18 | R 16 | RR 19.29 |
|--|------------|------------|------------|------------|------------|-----------|---------------------------|------------|---------|-------------|
| 2100 | 101895 | 146692 | 260888 | 342486 | 407580 | 724747 | - | - | - | - |
| 2105 | 102179 | 147101 | 261616 | 343442 | 408717 | 726769 | - | - | - | - |
| 2110 | 102464 | 147511 | 262345 | 344398 | 409856 | 728793 | - | - | - | - |
| 2115 | 102749 | 147921 | 263074 | 345356 | 410996 | 730820 | - | - | - | - |
| 2120 | 103034 | 148332 | 263805 | 346315 | 412137 | 732850 | - | - | - | - |
| 2125 | 103320 | 148743 | 264537 | 347276 | 413280 | 734883 | - | - | - | - |
| 2130 | 103606 | 149155 | 265269 | 348238 | 414425 | 736918 | - | - | - | - |
| 2135 | 103893 | 149568 | 266003 | 349201 | 415572 | 738957 | - | - | - | - |
| 2140 | 104179 | 149981 | 266738 | 350166 | 416719 | 740998 | - | - | - | - |
| 2145 | 104467 | 150395 | 267474 | 351132 | 417869 | 743042 | - | - | - | - |
| 2150 | 104755 | 150809 | 268211 | 352099 | 419020 | 745089 | - | - | - | - |
| 2155 | 105043 | 151224 | 268949 | 353068 | 420173 | 747139 | - | - | - | - |
| 2160 | 105332 | 151639 | 269688 | 354038 | 421328 | 749192 | - | - | - | - |
| 2165 | 105621 | 152056 | 270428 | 355010 | 422484 | 751248 | - | - | - | - |
| 2170 | 105910 | 152472 | 271169 | 355983 | 423642 | 753307 | - | - | - | - |
| 2175 | 106200 | 152890 | 271911 | 356957 | 424801 | 755369 | - | - | - | - |
| 2180 | 106490 | 153308 | 272654 | 357933 | 425962 | 757434 | - | - | - | - |
| 2185 | 106781 | 153726 | 273399 | 358910 | 427125 | 759501 | - | - | - | - |
| 2190 | 107072 | 154145 | 274144 | 359888 | 428290 | 761572 | - | - | - | - |
| 2195 | 107364 | 154565 | 274891 | 360869 | 429456 | 763646 | - | - | - | - |
| 2200 | 107656 | 154985 | 275638 | 361850 | 430624 | 765723 | - | - | - | - |
| 2205 | 107948 | 155407 | 276387 | 362833 | 431794 | 767804 | - | - | - | - |
| 2210 | 108241 | 155828 | 277137 | 363818 | 432966 | 769887 | - | - | - | - |
| 2215 | 108534 | 156251 | 277888 | 364804 | 434139 | 771973 | - | - | - | - |
| 2220 | 108828 | 156673 | 278641 | 365791 | 435314 | 774063 | - | - | - | - |
| 2225 | 109122 | 157097 | 279394 | 366780 | 436491 | 776156 | - | - | - | - |
| 2230 | 109417 | 157521 | 280148 | 367771 | 437670 | 778252 | - | - | - | - |
| 2235 | 109712 | 157946 | 280904 | 368763 | 438851 | 780351 | - | - | - | - |
| 2240 | 110008 | 158372 | 281661 | 369756 | 440033 | 782454 | - | - | - | - |
| 2245 | 110304 | 158798 | 282419 | 370751 | 441218 | 784560 | - | - | - | - |
| 2250 | 110601 | 159225 | 283178 | 371748 | 442404 | 786669 | - | - | - | - |
| 2255 | 110898 | 159653 | 283939 | 372746 | 443592 | 788781 | - | - | - | - |
| 2260 | 111195 | 160081 | 284700 | 373746 | 444782 | 790897 | - | - | - | - |
| 2265 | 111493 | 160510 | 285463 | 374748 | 445973 | 793016 | - | - | - | - |
| 2270 | 111791 | 160939 | 286227 | 375751 | 447167 | 795139 | - | - | - | - |
| 2275 | 112090 | 161370 | 286993 | 376755 | 448363 | 797265 | - | - | - | - |
| 2280 | 112390 | 161801 | 287759 | 377762 | 449560 | 799395 | - | - | - | - |
| 2285 | 112690 | 162232 | 288527 | 378770 | 450760 | 801527 | - | - | - | - |
| 2290 | 112990 | 162665 | 289296 | 379779 | 451961 | 803664 | - | - | - | - |
| 2295 | 113291 | 163098 | 290066 | 380790 | 453165 | 805804 | - | - | - | - |
| 2300 | 113592 | 163532 | 290838 | 381803 | 454370 | 807947 | - | - | - | - |
| 2305 | 113894 | 163966 | 291611 | 382818 | 455578 | 810094 | - | - | - | - |
| 2310 | 114196 | 164402 | 292385 | 383834 | 456787 | 812245 | - | - | - | - |
| 2315 | 114499 | 164838 | 293160 | 384852 | 457998 | 814399 | - | - | - | - |
| 2320 | 114803 | 165274 | 293937 | 385872 | 459212 | 816557 | - | - | - | - |
| 2325 | 115107 | 165712 | 294715 | 386893 | 460428 | 818718 | - | - | - | - |
| 2330 | 115411 | 166150 | 295495 | 387917 | 461645 | 820884 | - | - | - | - |
| 2335 | 115716 | 166589 | 296275 | 388942 | 462865 | 823052 | - | - | - | - |
| 2340 | 116021 | 167029 | 297057 | 389968 | 464087 | 825225 | - | - | - | - |
| 2345 | 116327 | 167469 | 297841 | 390997 | 465311 | 827402 | - | - | - | - |

Orifice Capacities (Contd.)

ASME, B & PVC, Section I rating - 2001 Edition

pounds per hour saturated steam at 3% overpressure, 90% of actual capacity

W=51.5KAP for "P" less than or equal to 1580 psia

K=.878 (4" Q - K = .792)

W=51.5KAP x [1.906P-1000/.2292P-1061] for "P" greater than 1580 psia

A= flow area in sq. in.

P= (1.03 x set pressure) + 14.7

Apply correction factor for capacities on superheated steam. Correction factor tables begin on page 1700.66. Review pressure temperature limits. Pressure temperature tables begin on page 1700.32. The 1700 is certified as a restricted lift valve and capacities can be restricted down to 30% of its full rated capacity.

Orifice Designation & Area - Square Inches

| Orifice Designation Orifice Area Sq. In. Set Pressure (psig) | 1 0.994 | 2 1.431 | 3 2.545 | 5 3.341 | 4 3.976 | 6 7.07 | Q 4"=12.25 6"=11.05 | 8 14.18 | R 16 | RR 19.29 |
|--|------------|------------|------------|------------|------------|-----------|---------------------------|------------|---------|-------------|
| 2350 | 116634 | 167911 | 298626 | 392027 | 466537 | 829582 | - | - | - | - |
| 2355 | 116941 | 168353 | 299412 | 393059 | 467765 | 831766 | - | - | - | - |
| 2360 | 117248 | 168796 | 300199 | 394093 | 468995 | 833954 | - | - | - | - |
| 2365 | 117557 | 169239 | 300988 | 395129 | 470228 | 836145 | - | - | - | - |
| 2370 | 117865 | 169684 | 301779 | 396166 | 471463 | 838341 | - | - | - | - |
| 2375 | 118175 | 170129 | 302570 | 397206 | 472700 | 840540 | - | - | - | - |
| 2380 | 118484 | 170575 | 303364 | 398247 | 473939 | 842744 | - | - | - | - |
| 2385 | 118795 | 171022 | 304158 | 399290 | 475180 | 844951 | - | - | - | - |
| 2390 | 119106 | 171469 | 304954 | 400335 | 476424 | 847163 | - | - | - | - |
| 2395 | 119417 | 171918 | 305752 | 401382 | 477670 | 849378 | - | - | - | - |
| 2400 | 119729 | 172367 | 306551 | 402431 | 478918 | 851598 | - | - | - | - |
| 2405 | 120042 | 172817 | 307351 | 403482 | 480169 | 853822 | - | - | - | - |
| 2410 | 120355 | 173268 | 308153 | 404535 | 481422 | 856050 | - | - | - | - |
| 2415 | 120669 | 173720 | 308957 | 405589 | 482677 | 858282 | - | - | - | - |
| 2420 | 120983 | 174172 | 309762 | 406646 | 483935 | 860518 | - | - | - | - |
| 2425 | 121298 | 174626 | 310568 | 407705 | 485194 | 862758 | - | - | - | - |
| 2430 | 121614 | 175080 | 311376 | 408766 | 486457 | 865003 | - | - | - | - |
| 2435 | 121930 | 175535 | 312186 | 409828 | 487722 | 867252 | - | - | - | - |
| 2440 | 122247 | 175991 | 312997 | 410893 | 488989 | 869505 | - | - | - | - |
| 2445 | 122564 | 176448 | 313810 | 411960 | 490258 | 871763 | - | - | - | - |
| 2450 | 122882 | 176906 | 314624 | 413029 | 491530 | 874025 | - | - | - | - |
| 2455 | 123201 | 177365 | 315440 | 414100 | 492805 | 876291 | - | - | - | - |
| 2460 | 123520 | 177824 | 316257 | 415173 | 494082 | 878562 | - | - | - | - |
| 2465 | 123840 | 178285 | 317076 | 416248 | 495362 | 880837 | - | - | - | - |
| 2470 | 124161 | 178746 | 317897 | 417326 | 496644 | 883117 | - | - | - | - |
| 2475 | 124482 | 179209 | 318719 | 418405 | 497928 | 885401 | - | - | - | - |
| 2480 | 124804 | 179672 | 319543 | 419487 | 499216 | 887690 | - | - | - | - |
| 2485 | 125126 | 180136 | 320369 | 420570 | 500505 | 889984 | - | - | - | - |
| 2490 | 125449 | 180601 | 321196 | 421656 | 501798 | 892282 | - | - | - | - |
| 2495 | 125773 | 181068 | 322025 | 422745 | 503093 | 894585 | - | - | - | - |
| 2500 | 126097 | 181535 | 322855 | 423835 | 504391 | 896892 | - | - | - | - |
| 2505 | 126422 | 182003 | 323688 | 424928 | 505691 | 899204 | - | - | - | - |
| 2510 | 126748 | 182472 | 324522 | 426023 | 506994 | 901522 | - | - | - | - |
| 2515 | 127075 | 182942 | 325358 | 427120 | 508300 | 903843 | - | - | - | - |
| 2520 | 127402 | 183413 | 326195 | 428220 | 509608 | 906170 | - | - | - | - |
| 2525 | 127730 | 183885 | 327035 | 429322 | 510920 | 908502 | - | - | - | - |
| 2530 | 128058 | 184357 | 327876 | 430426 | 512234 | 910839 | - | - | - | - |
| 2535 | 128387 | 184831 | 328719 | 431532 | 513551 | 913180 | - | - | - | - |
| 2540 | 128717 | 185306 | 329563 | 432641 | 514870 | 915527 | - | - | - | - |
| 2545 | 129048 | 185782 | 330410 | 433752 | 516193 | 917878 | - | - | - | - |
| 2550 | 129379 | 186259 | 331258 | 434866 | 517518 | 920235 | - | - | - | - |
| 2555 | 129711 | 186737 | 332109 | 435982 | 518846 | 922597 | - | - | - | - |
| 2560 | 130044 | 187217 | 332961 | 437101 | 520178 | 924964 | - | - | - | - |
| 2565 | 130378 | 187697 | 333815 | 438222 | 521512 | 927336 | - | - | - | - |
| 2570 | 130712 | 188178 | 334670 | 439345 | 522849 | 929714 | - | - | - | - |
| 2575 | 131047 | 188660 | 335528 | 440471 | 524189 | 932097 | - | - | - | - |
| 2780 | 131383 | 189144 | 336388 | 441600 | 525532 | 934485 | - | - | - | - |
| 2585 | 131719 | 189628 | 337249 | 442731 | 526878 | 936878 | - | - | - | - |
| 2590 | 132056 | 190114 | 338113 | 443865 | 528227 | 939277 | - | - | - | - |
| 2595 | 132394 | 190600 | 338978 | 445001 | 529579 | 941682 | - | - | - | - |

Orifice Capacities (Contd.)

ASME, B & PVC, Section I rating - 2001 Edition

pounds per hour saturated steam at 3% overpressure, 90% of actual capacity

W=51.5KAP for "P" less than or equal to 1580 psia

$K = .878 (4" Q - K = .792)$

W=51.5KAP x [1.906P-1000/.2292P-1061] for "P" greater than 1580 psia

A= flow area in sq. in.

$P = (1.03 \times \text{set pressure}) + 14.7$

Apply correction factor for capacities on superheated steam. Correction factor tables begin on page 1700.66. Review pressure temperature limits. Pressure temperature tables begin on page 1700.32. The 1700 is certified as a restricted lift valve and capacities can be restricted down to 30% of its full rated capacity.

Orifice Designation & Area – Square Inches

| Orifice Designation Orifice Area Sq. In. Set Pressure (psig) | 1 0.994 | 2 1.431 | 3 2.545 | 5 3.341 | 4 3.976 | 6 7.07 | Q 4"=12.25 6"=11.05 | 8 14.18 | R 16 | RR 19.29 |
|--|------------|------------|------------|------------|------------|-----------|---------------------------|------------|---------|-------------|
| 2600 | 132733 | 191088 | 339846 | 446140 | 530935 | 944092 | - | - | - | - |
| 2605 | 133073 | 191577 | 340715 | 447281 | 532293 | 946507 | - | - | - | - |
| 2610 | 133413 | 192067 | 341587 | 448425 | 533654 | 948928 | - | - | - | - |
| 2615 | 133754 | 192558 | 342461 | 449572 | 535019 | 951355 | - | - | - | - |
| 2620 | 134096 | 193050 | 343336 | 450722 | 536387 | 953787 | - | - | - | - |
| 2625 | 134439 | 193544 | 344214 | 451874 | 537758 | 956225 | - | - | - | - |
| 2630 | 134783 | 194039 | 345094 | 453029 | 539133 | 958669 | - | - | - | - |
| 2635 | 135127 | 194534 | 345975 | 454186 | 540510 | 961119 | - | - | - | - |
| 2640 | 135472 | 195031 | 346859 | 455347 | 541891 | 963575 | - | - | - | - |
| 2645 | 135819 | 195530 | 347745 | 456510 | 543276 | 966036 | - | - | - | - |
| 2650 | 136165 | 196029 | 348634 | 457676 | 544663 | 968504 | - | - | - | - |
| 2655 | 136513 | 196530 | 349524 | 458845 | 546054 | 970977 | - | - | - | - |
| 2660 | 136862 | 197032 | 350417 | 460017 | 547449 | 973457 | - | - | - | - |
| 2665 | 137211 | 197535 | 351311 | 461191 | 548847 | 975942 | - | - | - | - |
| 2670 | 137562 | 198039 | 352208 | 462369 | 550248 | 978434 | - | - | - | - |
| 2675 | 137913 | 198545 | 353108 | 463549 | 551653 | 980932 | - | - | - | - |
| 2680 | 138265 | 199052 | 354009 | 464733 | 553061 | 983437 | - | - | - | - |
| 2685 | 138618 | 199560 | 354913 | 465919 | 554473 | 985947 | - | - | - | - |
| 2690 | 138972 | 200069 | 355819 | 467109 | 555889 | 988464 | - | - | - | - |
| 2695 | 139327 | 200580 | 356727 | 468301 | 557308 | 990988 | - | - | - | - |
| 2700 | 139682 | 201092 | 357638 | 469497 | 558731 | 993518 | - | - | - | - |
| 2705 | 140039 | 201606 | 358551 | 470695 | 560157 | 996054 | - | - | - | - |
| 2710 | 140396 | 202120 | 359467 | 471897 | 561587 | 998598 | - | - | - | - |
| 2715 | 140755 | 202636 | 360384 | 473102 | 563021 | 1001147 | - | - | - | - |
| 2720 | 141114 | 203154 | 361305 | 474310 | 564459 | 1003704 | - | - | - | - |
| 2725 | 141475 | 203673 | 362227 | 475521 | 565900 | 1006267 | - | - | - | - |
| 2730 | 141836 | 204193 | 363152 | 476736 | 567346 | 1008837 | - | - | - | - |
| 2735 | 142198 | 204714 | 364080 | 477954 | 568795 | 1011414 | - | - | - | - |
| 2740 | 142562 | 205237 | 365010 | 479175 | 570248 | 1013998 | - | - | - | - |
| 2745 | 142926 | 205762 | 365943 | 480399 | 571705 | 1016589 | - | - | - | - |
| 2750 | 143291 | 206288 | 366878 | 481627 | 573166 | 1019187 | - | - | - | - |
| 2755 | 143657 | 206815 | 367816 | 482858 | 574631 | 1021792 | - | - | - | - |
| 2760 | 144025 | 207344 | 368756 | 484092 | 576100 | 1024404 | - | - | - | - |
| 2765 | 144393 | 207874 | 369699 | 485330 | 577573 | 1027023 | - | - | - | - |
| 2770 | 144762 | 208405 | 370645 | 486571 | 579051 | 1029650 | - | - | - | - |
| 2775 | 145133 | 208939 | 371593 | 487816 | 580532 | 1032284 | - | - | - | - |
| 2780 | 145504 | 209473 | 372544 | 489065 | 582018 | 1034926 | - | - | - | - |
| 2785 | 145876 | 210010 | 373497 | 490316 | 583507 | 1037575 | - | - | - | - |
| 2790 | 146250 | 210547 | 374454 | 491572 | 585002 | 1040232 | - | - | - | - |
| 2795 | 146625 | 211087 | 375413 | 492831 | 586500 | 1042896 | - | - | - | - |
| 2800 | 147000 | 211627 | 376375 | 494094 | 588003 | 1045568 | - | - | - | - |
| 2805 | 147377 | 212170 | 377339 | 495360 | 589510 | 1048248 | - | - | - | - |
| 2810 | 147755 | 212714 | 378307 | 496630 | 591021 | 1050936 | - | - | - | - |
| 2815 | 148134 | 213259 | 379277 | 497904 | 592537 | 1053631 | - | - | - | - |
| 2820 | 148514 | 213807 | 380250 | 499182 | 594058 | 1056335 | - | - | - | - |
| 2825 | 148895 | 214355 | 381227 | 500463 | 595583 | 1059047 | - | - | - | - |
| 2830 | 149278 | 214906 | 382206 | 501748 | 597112 | 1061767 | - | - | - | - |
| 2835 | 149661 | 215458 | 383188 | 503037 | 598646 | 1064495 | - | - | - | - |
| 2840 | 150046 | 216012 | 384173 | 504330 | 600185 | 1067231 | - | - | - | - |
| 2845 | 150432 | 216567 | 385161 | 505627 | 601729 | 1069976 | - | - | - | - |

Orifice Capacities (Contd.)

ASME, B & PVC, Section I rating - 2001 Edition

pounds per hour saturated steam at 3% overpressure, 90% of actual capacity

W=51.5KAP for "P" less than or equal to 1580 psia

K=.878 (4" Q — K = .792)

W=51.5KAP x [.1906P-1000/.2292P-1061] for "P" greater than 1580 psia

A= flow area in sq. in.

P= (1.03 x set pressure) + 14.7

Apply correction factor for capacities on superheated steam. Correction factor tables begin on page 1700.66. Review pressure temperature limits. Pressure temperature tables begin on page 1700.32. The 1700 is certified as a restricted lift valve and capacities can be restricted down to 30% of its full rated capacity.

Orifice Designation & Area – Square Inches

| Orifice Designation Orifice Area Sq. In. Set Pressure (psig) | 1 0.994 | 2 1.431 | 3 2.545 | 5 3.341 | 4 3.976 | 6 7.07 | Q 4"=12.25 6"=11.05 | 8 14.18 | R 16 | RR 19.29 |
|--|------------|------------|------------|------------|------------|-----------|---------------------------|------------|---------|-------------|
| 2850 | 150819 | 217125 | 386152 | 506928 | 603277 | 1072729 | - | - | - | - |
| 2855 | 151207 | 217684 | 387146 | 508234 | 604830 | 1075490 | - | - | - | - |
| 2860 | 151597 | 218244 | 388143 | 509543 | 606388 | 1078260 | - | - | - | - |
| 2865 | 151987 | 218807 | 389143 | 510856 | 607951 | 1081039 | - | - | - | - |
| 2870 | 152379 | 219371 | 390147 | 512173 | 609518 | 1083827 | - | - | - | - |
| 2875 | 152772 | 219937 | 391153 | 513495 | 611091 | 1086623 | - | - | - | - |
| 2880 | 153167 | 220505 | 392163 | 514820 | 612669 | 1089429 | - | - | - | - |
| 2885 | 153562 | 221075 | 393176 | 516150 | 614251 | 1092243 | - | - | - | - |
| 2890 | 153959 | 221646 | 394193 | 517485 | 615839 | 1095067 | - | - | - | - |
| 2895 | 154358 | 222219 | 395212 | 518823 | 617432 | 1097899 | - | - | - | - |
| 2900 | 154757 | 222795 | 396235 | 520166 | 619031 | 1100741 | - | - | - | - |
| 2905 | 155158 | 223372 | 397262 | 521514 | 620634 | 1103593 | - | - | - | - |
| 2910 | 155560 | 223951 | 398292 | 522865 | 622243 | 1106453 | - | - | - | - |
| 2915 | 155964 | 224532 | 399325 | 524222 | 623857 | 1109324 | - | - | - | - |
| 2920 | 156369 | 225115 | 400361 | 525583 | 625477 | 1112203 | - | - | - | - |
| 2925 | 156775 | 225699 | 401402 | 526948 | 627102 | 1115093 | - | - | - | - |
| 2930 | 157183 | 226286 | 402445 | 528318 | 628732 | 1117992 | - | - | - | - |
| 2935 | 157592 | 226875 | 403493 | 529693 | 630368 | 1120902 | - | - | - | - |
| 2940 | 158002 | 227466 | 404543 | 531073 | 632010 | 1123821 | - | - | - | - |
| 2945 | 158414 | 228059 | 405598 | 532457 | 633657 | 1126750 | - | - | - | - |
| 2950 | 158827 | 228654 | 406656 | 533846 | 635311 | 1129690 | - | - | - | - |
| 2955 | 159242 | 229251 | 407718 | 535240 | 636970 | 1132640 | - | - | - | - |
| 2960 | 159658 | 229850 | 408784 | 536639 | 638634 | 1135600 | - | - | - | - |
| 2965 | 160076 | 230452 | 409853 | 538043 | 640305 | 1138571 | - | - | - | - |
| 2970 | 160495 | 231055 | 410926 | 539452 | 641982 | 1141552 | - | - | - | - |
| 2975 | 160916 | 231661 | 412003 | 540866 | 643664 | 1144545 | - | - | - | - |
| 2980 | 161338 | 232268 | 413084 | 542285 | 645353 | 1147547 | - | - | - | - |
| 2985 | 161762 | 232878 | 414169 | 543709 | 647048 | 1150561 | - | - | - | - |
| 2990 | 162187 | 233491 | 415258 | 545139 | 648749 | 1153586 | - | - | - | - |
| 2995 | 162614 | 234105 | 416351 | 546573 | 650457 | 1156622 | - | - | - | - |
| 3000 | 163042 | 234722 | 417448 | 548013 | 652170 | 1159670 | - | - | - | - |
| 3005 | 163472 | 235341 | 418549 | 549459 | 653891 | 1162728 | - | - | - | - |
| 3010 | 163904 | 235962 | 419654 | 550910 | 655617 | 1165799 | - | - | - | - |
| 3015 | 164337 | 236586 | 420764 | 552366 | 657350 | 1168880 | - | - | - | - |
| 3020 | 164772 | 237212 | 421877 | 553828 | 659090 | 1171974 | - | - | - | - |
| 3025 | 165209 | 237841 | 422995 | 555295 | 660836 | 1175079 | - | - | - | - |
| 3030 | 165647 | 238472 | 424117 | 556768 | 662590 | 1178197 | - | - | - | - |
| 3035 | 166087 | 239105 | 425244 | 558247 | 664349 | 1181326 | - | - | - | - |
| 3040 | 166529 | 239741 | 426375 | 559732 | 666116 | 1184468 | - | - | - | - |
| 3045 | 166972 | 240380 | 427510 | 561222 | 667890 | 1187622 | - | - | - | - |
| 3050 | 167417 | 241021 | 428650 | 562719 | 669671 | 1190788 | - | - | - | - |
| 3055 | 167864 | 241664 | 429794 | 564221 | 671459 | 1193967 | - | - | - | - |
| 3060 | 168313 | 242310 | 430943 | 565729 | 673254 | 1197159 | - | - | - | - |
| 3065 | 168764 | 242959 | 432097 | 567244 | 675056 | 1200364 | - | - | - | - |
| 3070 | 169216 | 243610 | 433255 | 568764 | 676866 | 1203582 | - | - | - | - |
| 3075 | 169670 | 244264 | 434418 | 570291 | 678683 | 1206813 | - | - | - | - |
| 3080 | 170126 | 244921 | 435586 | 571824 | 680507 | 1210057 | - | - | - | - |
| 3085 | 170584 | 245580 | 436759 | 573364 | 682339 | 1213315 | - | - | - | - |
| 3090 | 171044 | 246242 | 437936 | 574910 | 684179 | 1216586 | - | - | - | - |
| 3095 | 171506 | 246907 | 439119 | 576462 | 686026 | 1219871 | - | - | - | - |
| 3100 | 171970 | 247575 | 440306 | 578021 | 687881 | 1223170 | - | - | - | - |

Orifice Capacities (Contd.)

ASME, B & PVC, Section VIII rating - 2001 Edition pounds per hour saturated steam at 10% overpressure, 90% of actual capacity

W=51.5KAP for "P" less than or equal to 1580 psia

K=.878 (4" Q - K = .792)

W=51.5KAP x [1.906P-1000/.2292P-1061] for "P" greater than 1580 psia

A= flow area in sq. in.

P= (1.10 x set pressure) + 14.7

Apply correction factor for capacities on superheated steam. Correction factor tables begin on page 1700.66. Review pressure temperature limits. Pressure temperature tables begin on page 1700.32. The 1700 is certified as a restricted lift valve and capacities can be restricted down to 30% of its full rated capacity.

Orifice Designation & Area – Square Inches

| Orifice Designation Orifice Area Sq. In. Set Pressure (psig) | 1 0.994 | 2 1.431 | 3 2.545 | 5 3.341 | 4 3.976 | 6 7.07 | Q 4"=12.25 6"=11.05 | 8 14.18 | R 16 | RR 19.29 |
|--|------------|------------|------------|------------|------------|-----------|---------------------------|------------|---------|-------------|
| 100 | 5604 | 8068 | 14350 | 18838 | 22418 | 39864 | 62306 | 79954 | 90216 | 108767 |
| 105 | 5851 | 8424 | 14983 | 19669 | 23407 | 41622 | 65054 | 83481 | 94196 | 113565 |
| 110 | 6099 | 8780 | 15615 | 20500 | 24396 | 43381 | 67802 | 87007 | 98175 | 118362 |
| 115 | 6346 | 9136 | 16248 | 21331 | 25385 | 45139 | 70550 | 90534 | 102154 | 123159 |
| 120 | 6593 | 9492 | 16881 | 22161 | 26374 | 46897 | 73298 | 94060 | 106133 | 127957 |
| 125 | 6840 | 9848 | 17514 | 22992 | 27362 | 48655 | 76046 | 97587 | 110112 | 132754 |
| 130 | 7087 | 10204 | 18147 | 23823 | 28351 | 50414 | 78794 | 101113 | 114091 | 137551 |
| 135 | 7335 | 10559 | 18780 | 24654 | 29340 | 52172 | 81542 | 104640 | 118070 | 142348 |
| 140 | 7582 | 10915 | 19413 | 25485 | 30329 | 53930 | 84290 | 108166 | 122049 | 147146 |
| 145 | 7829 | 11271 | 20046 | 26316 | 31318 | 55688 | 87038 | 111693 | 126028 | 151943 |
| 150 | 8076 | 11627 | 20679 | 27147 | 32306 | 57447 | 89786 | 115219 | 130007 | 156740 |
| 155 | 8323 | 11983 | 21312 | 27978 | 33295 | 59205 | 92534 | 118745 | 133987 | 161538 |
| 160 | 8571 | 12339 | 21945 | 28809 | 34284 | 60963 | 95282 | 122272 | 137966 | 166335 |
| 165 | 8818 | 12695 | 22578 | 29639 | 35273 | 62722 | 98030 | 125798 | 141945 | 171132 |
| 170 | 9065 | 13051 | 23211 | 30470 | 36262 | 64480 | 100778 | 129325 | 145924 | 175929 |
| 175 | 9312 | 13406 | 23844 | 31301 | 37250 | 66238 | 103527 | 132851 | 149903 | 180727 |
| 180 | 9559 | 13762 | 24476 | 32132 | 38239 | 67996 | 106275 | 136378 | 153882 | 185524 |
| 185 | 9807 | 14118 | 25109 | 32963 | 39228 | 69755 | 109023 | 139904 | 157861 | 190321 |
| 190 | 10054 | 14474 | 25742 | 33794 | 40217 | 71513 | 111771 | 143431 | 161840 | 195119 |
| 195 | 10301 | 14830 | 26375 | 34625 | 41206 | 73271 | 114519 | 146957 | 165819 | 199916 |
| 200 | 10548 | 15186 | 27008 | 35456 | 42195 | 75029 | 117267 | 150484 | 169798 | 204713 |
| 205 | 10795 | 15542 | 27641 | 36287 | 43183 | 76788 | 120015 | 154010 | 173777 | 209511 |
| 210 | 11043 | 15898 | 28274 | 37117 | 44172 | 78546 | 122763 | 157537 | 177757 | 214308 |
| 215 | 11290 | 16254 | 28907 | 37948 | 45161 | 80304 | 125511 | 161063 | 181736 | 219105 |
| 220 | 11537 | 16609 | 29540 | 38779 | 46150 | 82062 | 128259 | 164590 | 185715 | 223902 |
| 225 | 11784 | 16965 | 30173 | 39610 | 47139 | 83821 | 131007 | 168116 | 189694 | 228700 |
| 230 | 12031 | 17321 | 30806 | 40441 | 48127 | 85579 | 133755 | 171643 | 193673 | 233497 |
| 235 | 12279 | 17677 | 31439 | 41272 | 49116 | 87337 | 136503 | 175169 | 197652 | 238294 |
| 240 | 12526 | 18033 | 32072 | 42103 | 50105 | 89095 | 139251 | 178696 | 201631 | 243092 |
| 245 | 12773 | 18389 | 32704 | 42934 | 51094 | 90854 | 141999 | 182222 | 205610 | 247889 |
| 250 | 13020 | 18745 | 33337 | 43764 | 52083 | 92612 | 144747 | 185748 | 209589 | 252686 |
| 255 | 13267 | 19101 | 33970 | 44595 | 53071 | 94370 | 147496 | 189275 | 213568 | 257484 |
| 260 | 13515 | 19456 | 34603 | 45426 | 54060 | 96129 | 150244 | 192801 | 217548 | 262281 |
| 265 | 13762 | 19812 | 35236 | 46257 | 55049 | 97887 | 152992 | 196328 | 221527 | 267078 |
| 270 | 14009 | 20168 | 35869 | 47088 | 56038 | 99645 | 155740 | 199854 | 225506 | 271875 |
| 275 | 14256 | 20524 | 36502 | 47919 | 57027 | 101403 | 158488 | 203381 | 229485 | 276673 |
| 280 | 14503 | 20880 | 37135 | 48750 | 58015 | 103162 | 161236 | 206907 | 233464 | 281470 |
| 285 | 14751 | 21236 | 37768 | 49581 | 59004 | 104920 | 163984 | 210434 | 237443 | 286267 |
| 290 | 14998 | 21592 | 38401 | 50412 | 59993 | 106678 | 166732 | 213960 | 241422 | 291065 |
| 295 | 15245 | 21948 | 39034 | 51242 | 60982 | 108436 | 169480 | 217487 | 245401 | 295862 |
| 300 | 15492 | 22303 | 39667 | 52073 | 61971 | 110195 | 172228 | 221013 | 249380 | 300659 |
| 305 | 15739 | 22659 | 40300 | 52904 | 62959 | 111953 | 174976 | 224540 | 253359 | 305457 |
| 310 | 15987 | 23015 | 40932 | 53735 | 63948 | 113711 | 177724 | 228066 | 257338 | 310254 |
| 315 | 16234 | 23371 | 41565 | 54566 | 64937 | 115469 | 180472 | 231593 | 261318 | 315051 |
| 320 | 16481 | 23727 | 42198 | 55397 | 65926 | 117228 | 183220 | 235119 | 265297 | 319848 |
| 325 | 16728 | 24083 | 42831 | 56228 | 66915 | 118986 | 185968 | 238646 | 269276 | 324646 |
| 330 | 16975 | 24439 | 43464 | 57059 | 67903 | 120744 | 188716 | 242172 | 273255 | 329443 |
| 335 | 17223 | 24795 | 44097 | 57890 | 68892 | 122502 | 191465 | 245699 | 277234 | 334240 |
| 340 | 17470 | 25151 | 44730 | 58720 | 69881 | 124261 | 194213 | 249225 | 281213 | 339038 |
| 345 | 17717 | 25506 | 45363 | 59551 | 70870 | 126019 | 196961 | 252751 | 285192 | 343835 |

Orifice Capacities (Contd.)

ASME, B & PVC, Section VIII rating - 2001 Edition pounds per hour saturated steam at 10% overpressure, 90% of actual capacity

W=51.5KAP for "P" less than or equal to 1580 psia

K=.878 (4" Q - K = .792)

W=51.5KAP x [.1906P-1000/.2292P-1061] for "P" greater than 1580 psia

A= flow area in sq. in.

P= (1.10 x set pressure) + 14.7

Apply correction factor for capacities on superheated steam. Correction factor tables begin on page 1700.66. Review pressure temperature limits. Pressure temperature tables begin on page 1700.32. The 1700 is certified as a restricted lift valve and capacities can be restricted down to 30% of its full rated capacity.

Orifice Designation & Area - Square Inches

| Orifice Designation Orifice Area Sq. In. Set Pressure (psig) | 1 0.994 | 2 1.431 | 3 2.545 | 5 3.341 | 4 3.976 | 6 7.07 | Q 4"=12.25 6"=11.05 | 8 14.18 | R 16 | RR 19.29 |
|--|------------|------------|------------|------------|------------|-----------|---------------------------|------------|---------|-------------|
| 350 | 17964 | 25862 | 45996 | 60382 | 71859 | 127777 | 199709 | 256278 | 289171 | 348632 |
| 355 | 18211 | 26218 | 46629 | 61213 | 72847 | 129536 | 202457 | 259804 | 293150 | 353429 |
| 360 | 18459 | 26574 | 47262 | 62044 | 73836 | 131294 | 205205 | 263331 | 297129 | 358227 |
| 365 | 18706 | 26930 | 47895 | 62875 | 74825 | 133052 | 207953 | 266857 | 301109 | 363024 |
| 370 | 18953 | 27286 | 48528 | 63706 | 75814 | 134810 | 210701 | 270384 | 305088 | 367821 |
| 375 | 19200 | 27642 | 49161 | 64537 | 76803 | 136569 | 213449 | 273910 | 309067 | 372619 |
| 380 | 19448 | 27998 | 49793 | 65367 | 77792 | 138327 | 216197 | 277437 | 313046 | 377416 |
| 385 | 19695 | 28353 | 50426 | 66198 | 78780 | 140085 | 218945 | 280963 | 317025 | 382213 |
| 390 | 19942 | 28709 | 51059 | 67029 | 79769 | 141843 | 221693 | 284490 | 321004 | 387011 |
| 395 | 20189 | 29065 | 51692 | 67860 | 80758 | 143602 | 224441 | 288016 | 324983 | 391808 |
| 400 | 20436 | 29421 | 52325 | 68691 | 81747 | 145360 | 227189 | 291543 | 328962 | 396605 |
| 405 | 20684 | 29777 | 52958 | 69522 | 82736 | 147118 | 229937 | 295069 | 332941 | 401402 |
| 410 | 20931 | 30133 | 53591 | 70353 | 83724 | 148876 | 232686 | 298596 | 336920 | 406200 |
| 415 | 21178 | 30489 | 54224 | 71184 | 84713 | 150635 | 235434 | 302122 | 340900 | 410997 |
| 420 | 21425 | 30845 | 54857 | 72015 | 85702 | 152393 | 238182 | 305649 | 344879 | 415794 |
| 425 | 21672 | 31201 | 55490 | 72845 | 86691 | 154151 | 240930 | 309175 | 348858 | 420592 |
| 430 | 21920 | 31556 | 56123 | 73676 | 87680 | 155909 | 243678 | 312702 | 352837 | 425389 |
| 435 | 22167 | 31912 | 56756 | 74507 | 88668 | 157668 | 246426 | 316228 | 356816 | 430186 |
| 440 | 22414 | 32268 | 57389 | 75338 | 89657 | 159426 | 249174 | 319754 | 360795 | 434984 |
| 445 | 22661 | 32624 | 58021 | 76169 | 90646 | 161184 | 251922 | 323281 | 364774 | 439781 |
| 450 | 22908 | 32980 | 58654 | 77000 | 91635 | 162943 | 254670 | 326807 | 368753 | 444578 |
| 455 | 23156 | 33336 | 59287 | 77831 | 92624 | 164701 | 257418 | 330334 | 372732 | 449375 |
| 460 | 23403 | 33692 | 59920 | 78662 | 93612 | 166459 | 260166 | 333860 | 376711 | 454173 |
| 465 | 23650 | 34048 | 60553 | 79493 | 94601 | 168217 | 262914 | 337387 | 380690 | 458970 |
| 470 | 23897 | 34403 | 61186 | 80323 | 95590 | 169976 | 265662 | 340913 | 384670 | 463767 |
| 475 | 24144 | 34759 | 61819 | 81154 | 96579 | 171734 | 268410 | 344440 | 388649 | 468565 |
| 480 | 24392 | 35115 | 62452 | 81985 | 97568 | 173492 | 271158 | 347966 | 392628 | 473362 |
| 485 | 24639 | 35471 | 63085 | 82816 | 98556 | 175250 | 273906 | 351493 | 396607 | 478159 |
| 490 | 24886 | 35827 | 63718 | 83647 | 99545 | 177009 | 276655 | 355019 | 400586 | 482957 |
| 495 | 25133 | 36183 | 64351 | 84478 | 100534 | 178767 | 279403 | 358546 | 404565 | 487754 |
| 500 | 25380 | 36539 | 64984 | 85309 | 101523 | 180525 | 282151 | 362072 | 408544 | 492551 |
| 505 | 25628 | 36895 | 65617 | 86140 | 102512 | 182283 | 284899 | 365599 | 412523 | 497348 |
| 510 | 25875 | 37250 | 66249 | 86970 | 103500 | 184042 | 287647 | 369125 | 416502 | 502146 |
| 515 | 26122 | 37606 | 66882 | 87801 | 104489 | 185800 | 290395 | 372652 | 420481 | 506943 |
| 520 | 26369 | 37962 | 67515 | 88632 | 105478 | 187558 | 293143 | 376178 | 424461 | 511740 |
| 525 | 26616 | 38318 | 68148 | 89463 | 106467 | 189316 | 295891 | 379705 | 428440 | 516538 |
| 530 | 26864 | 38674 | 68781 | 90294 | 107456 | 191075 | 298639 | 383231 | 432419 | 521335 |
| 535 | 27111 | 39030 | 69414 | 91125 | 108444 | 192833 | 301387 | 386758 | 436398 | 526132 |
| 540 | 27358 | 39386 | 70047 | 91956 | 109433 | 194591 | 304135 | 390284 | 440377 | 530930 |
| 545 | 27605 | 39742 | 70680 | 92787 | 110422 | 196350 | 306883 | 393810 | 444356 | 535727 |
| 550 | 27852 | 40098 | 71313 | 93618 | 111411 | 198108 | 309631 | 397337 | 448335 | 540524 |
| 555 | 28100 | 40453 | 71946 | 94448 | 112400 | 199866 | 312379 | 400863 | 452314 | 545321 |
| 560 | 28347 | 40809 | 72579 | 95279 | 113389 | 201624 | 315127 | 404390 | 456293 | 550119 |
| 565 | 28594 | 41165 | 73212 | 96110 | 114377 | 203383 | 317875 | 407916 | 460272 | 554916 |
| 570 | 28841 | 41521 | 73845 | 96941 | 115366 | 205141 | 320624 | 411443 | 464251 | 559713 |
| 575 | 29088 | 41877 | 74478 | 97772 | 116355 | 206899 | 323372 | 414969 | 468231 | 564511 |
| 580 | 29336 | 42233 | 75110 | 98603 | 117344 | 208657 | 326120 | 418496 | 472210 | 569308 |
| 585 | 29583 | 42589 | 75743 | 99434 | 118333 | 210416 | 328868 | 422022 | 476189 | 574105 |
| 590 | 29830 | 42945 | 76376 | 100265 | 119321 | 212174 | 331616 | 425549 | 480168 | 578902 |
| 595 | 30077 | 43300 | 77009 | 101096 | 120310 | 213932 | 334364 | 429075 | 484147 | 583700 |

Orifice Capacities (Contd.)

ASME, B & PVC, Section VIII rating - 2001 Edition pounds per hour saturated steam at 10% overpressure, 90% of actual capacity

W=51.5KAP for "P" less than or equal to 1580 psia

K=.878 (4" Q - K = .792)

W=51.5KAP x [.1906P-1000/.2292P-1061] for "P" greater than 1580 psia

A= flow area in sq. in.

P= (1.10 x set pressure) + 14.7

Apply correction factor for capacities on superheated steam. Correction factor tables begin on page 1700.66. Review pressure temperature limits. Pressure temperature tables begin on page 1700.32. The 1700 is certified as a restricted lift valve and capacities can be restricted down to 30% of its full rated capacity.

Orifice Designation & Area – Square Inches

| Orifice Designation Orifice Area Sq. In. Set Pressure (psig) | 1 0.994 | 2 1.431 | 3 2.545 | 5 3.341 | 4 3.976 | 6 7.07 | Q 4"=12.25 6"=11.05 | 8 14.18 | R 16 | RR 19.29 |
|--|------------|------------|------------|------------|------------|-----------|---------------------------|------------|---------|-------------|
| 600 | 30324 | 43656 | 77642 | 101926 | 121299 | 215690 | 337112 | 432602 | 488126 | 588497 |
| 605 | 30572 | 44012 | 78275 | 102757 | 122288 | 217449 | 339860 | 436128 | 492105 | 593294 |
| 610 | 30819 | 44368 | 78908 | 103588 | 123277 | 219207 | 342608 | 439655 | 496084 | 598092 |
| 615 | 31066 | 44724 | 79541 | 104419 | 124265 | 220965 | 345356 | 443181 | 500063 | 602889 |
| 620 | 31313 | 45080 | 80174 | 105250 | 125254 | 222723 | 348104 | 446708 | 504042 | 607686 |
| 625 | 31560 | 45436 | 80807 | 106081 | 126243 | 224482 | 350852 | 450234 | 508022 | 612484 |
| 630 | 31808 | 45792 | 81440 | 106912 | 127232 | 226240 | 353600 | 453761 | 512001 | 617281 |
| 635 | 32055 | 46147 | 82073 | 107743 | 128221 | 227998 | 356348 | 457287 | 515980 | 622078 |
| 640 | 32302 | 46503 | 82706 | 108574 | 129209 | 229757 | 359096 | 460813 | 519959 | 626875 |
| 645 | 32549 | 46859 | 83338 | 109404 | 130198 | 231515 | 361844 | 464340 | 523938 | 631673 |
| 650 | 32796 | 47215 | 83971 | 110235 | 131187 | 233273 | 364593 | 467866 | 527917 | 636470 |
| 655 | 33044 | 47571 | 84604 | 111066 | 132176 | 235031 | 367341 | 471393 | 531896 | 641267 |
| 660 | 33291 | 47927 | 85237 | 111897 | 133165 | 236790 | 370089 | 474919 | 535875 | 646065 |
| 665 | 33538 | 48283 | 85870 | 112728 | 134153 | 238548 | 372837 | 478446 | 539854 | 650862 |
| 670 | 33785 | 48639 | 86503 | 113559 | 135142 | 240306 | 375585 | 481972 | 543833 | 655659 |
| 675 | 34032 | 48995 | 87136 | 114390 | 136131 | 242064 | 378333 | 485499 | 547812 | 660457 |
| 680 | 34280 | 49350 | 87769 | 115221 | 137120 | 243823 | 381081 | 489025 | 551792 | 665254 |
| 685 | 34527 | 49706 | 88402 | 116051 | 138109 | 245581 | 383829 | 492552 | 555771 | 670051 |
| 690 | 34774 | 50062 | 89035 | 116882 | 139097 | 247339 | 386577 | 496078 | 559750 | 674848 |
| 695 | 35021 | 50418 | 89668 | 117713 | 140086 | 249097 | 389325 | 499605 | 563729 | 679646 |
| 700 | 35268 | 50774 | 90301 | 118544 | 141075 | 250856 | 392073 | 503131 | 567708 | 684443 |
| 705 | 35516 | 51130 | 90934 | 119375 | 142064 | 252614 | 394821 | 506658 | 571687 | 689240 |
| 710 | 35763 | 51486 | 91566 | 120206 | 143053 | 254372 | 397569 | 510184 | 575666 | 694038 |
| 715 | 36010 | 51842 | 92199 | 121037 | 144041 | 256130 | 400317 | 513711 | 579645 | 698835 |
| 720 | 36257 | 52197 | 92832 | 121868 | 145030 | 257889 | 403065 | 517237 | 583624 | 703632 |
| 725 | 36504 | 52553 | 93465 | 122699 | 146019 | 259647 | 405813 | 520764 | 587603 | 708430 |
| 730 | 36752 | 52909 | 94098 | 123529 | 147008 | 261405 | 408562 | 524290 | 591583 | 713227 |
| 735 | 36999 | 53265 | 94731 | 124360 | 147997 | 263164 | 411310 | 527816 | 595562 | 718024 |
| 740 | 37246 | 53621 | 95364 | 125191 | 148985 | 264922 | 414058 | 531343 | 599541 | 722821 |
| 745 | 37493 | 53977 | 95997 | 126022 | 149974 | 266680 | 416806 | 534869 | 603520 | 727619 |
| 750 | 37740 | 54333 | 96630 | 126853 | 150963 | 268438 | 419554 | 538396 | 607499 | 732416 |
| 755 | 37988 | 54689 | 97263 | 127684 | 151952 | 270197 | 422302 | 541922 | 611478 | 737213 |
| 760 | 38235 | 55044 | 97896 | 128515 | 152941 | 271955 | 425050 | 545449 | 615457 | 742011 |
| 765 | 38482 | 55400 | 98529 | 129346 | 153930 | 273713 | 427798 | 548975 | 619436 | 746808 |
| 770 | 38729 | 55756 | 99162 | 130177 | 154918 | 275471 | 430546 | 552502 | 623415 | 751605 |
| 775 | 38976 | 56112 | 99795 | 131007 | 155907 | 277230 | 433294 | 556028 | 627394 | 756402 |
| 780 | 39224 | 56468 | 100427 | 131838 | 156896 | 278988 | 436042 | 559555 | 631374 | 761200 |
| 785 | 39471 | 56824 | 101060 | 132669 | 157885 | 280746 | 438790 | 563081 | 635353 | 765997 |
| 790 | 39718 | 57180 | 101693 | 133500 | 158874 | 282504 | 441538 | 566608 | 639332 | 770794 |
| 795 | 39965 | 57536 | 102326 | 134331 | 159862 | 284263 | 444286 | 570134 | 643311 | 775592 |
| 800 | 40212 | 57892 | 102959 | 135162 | 160851 | 286021 | 447034 | 573661 | 647290 | 780389 |
| 805 | 40460 | 58247 | 103592 | 135993 | 161840 | 287779 | 449782 | 577187 | 651269 | 785186 |
| 810 | 40707 | 58603 | 104225 | 136824 | 162829 | 289537 | 452531 | 580714 | 655248 | 789984 |
| 815 | 40954 | 58959 | 104858 | 137654 | 163818 | 291296 | 455279 | 584240 | 659227 | 794781 |
| 820 | 41201 | 59315 | 105491 | 138485 | 164806 | 293054 | 458027 | 587767 | 663206 | 799578 |
| 825 | 41448 | 59671 | 106124 | 139316 | 165795 | 294812 | 460775 | 591293 | 667185 | 804375 |
| 830 | 41696 | 60027 | 106757 | 140147 | 166784 | 296571 | 463523 | 594819 | 671164 | 809173 |
| 835 | 41943 | 60383 | 107390 | 140978 | 167773 | 298329 | 466271 | 598346 | 675144 | 813970 |
| 840 | 42190 | 60739 | 108023 | 141809 | 168762 | 300087 | 469019 | 601872 | 679123 | 818767 |
| 845 | 42437 | 61094 | 108655 | 142640 | 169750 | 301845 | 471767 | 605399 | 683102 | 823565 |

Orifice Capacities (Contd.)

ASME, B & PVC, Section VIII rating - 2001 Edition

pounds per hour saturated steam at 10% overpressure, 90% of actual capacity

W=51.5KAP for "P" less than or equal to 1580 psia

K=.878 (4" Q - K = .792)

W=51.5KAP x [.1906P-1000/.2292P-1061] for "P" greater than 1580 psia

A= flow area in sq. in.

P= (1.10 x set pressure) + 14.7

Apply correction factor for capacities on superheated steam. Correction factor tables begin on page 1700.66. Review pressure temperature limits. Pressure temperature tables begin on page 1700.32. The 1700 is certified as a restricted lift valve and capacities can be restricted down to 30% of its full rated capacity.

Orifice Designation & Area - Square Inches

| Orifice Designation Orifice Area Sq. In. Set Pressure (psig) | 1 0.994 | 2 1.431 | 3 2.545 | 5 3.341 | 4 3.976 | 6 7.07 | Q 4"=12.25 6"=11.05 | 8 14.18 | R 16 | RR 19.29 |
|--|------------|------------|------------|------------|------------|-----------|---------------------------|------------|---------|-------------|
| 850 | 42684 | 61450 | 109288 | 143471 | 170739 | 303604 | 474515 | 608925 | 687081 | 828362 |
| 855 | 42932 | 61806 | 109921 | 144302 | 171728 | 305362 | 477263 | 612452 | 691060 | 833159 |
| 860 | 43179 | 62162 | 110554 | 145132 | 172717 | 307120 | 480011 | 615978 | 695039 | 837957 |
| 865 | 43426 | 62518 | 111187 | 145963 | 173706 | 308878 | 482759 | 619505 | 699018 | 842754 |
| 870 | 43673 | 62874 | 111820 | 146794 | 174694 | 310637 | 485507 | 623031 | 702997 | 847551 |
| 875 | 43920 | 63230 | 112453 | 147625 | 175683 | 312395 | 488255 | 626558 | 706976 | 852348 |
| 880 | 44168 | 63586 | 113086 | 148456 | 176672 | 314153 | 491003 | 630084 | 710955 | 857146 |
| 885 | 44415 | 63942 | 113719 | 149287 | 177661 | 315911 | 493752 | 633611 | 714935 | 861943 |
| 890 | 44662 | 64297 | 114352 | 150118 | 178650 | 317670 | 496500 | 637137 | 718914 | 866740 |
| 895 | 44909 | 64653 | 114985 | 150949 | 179638 | 319428 | 499248 | 640664 | 722893 | 871538 |
| 900 | 45156 | 65009 | 115618 | 151780 | 180627 | 321186 | 501996 | 644190 | 726872 | 876335 |
| 905 | 45404 | 65365 | 116251 | 152610 | 181616 | 322944 | 504744 | 647717 | 730851 | 881132 |
| 910 | 45651 | 65721 | 116883 | 153441 | 182605 | 324703 | 507492 | 651243 | 734830 | 885930 |
| 915 | 45898 | 66077 | 117516 | 154272 | 183594 | 326461 | 510240 | 654770 | 738809 | 890727 |
| 920 | 46145 | 66433 | 118149 | 155103 | 184582 | 328219 | 512988 | 658296 | 742788 | 895524 |
| 925 | 46392 | 66789 | 118782 | 155934 | 185571 | 329978 | 515736 | 661822 | 746767 | 900321 |
| 930 | 46640 | 67144 | 119415 | 156765 | 186560 | 331736 | 518484 | 665349 | 750746 | 905119 |
| 935 | 46887 | 67500 | 120048 | 157596 | 187549 | 333494 | 521232 | 668875 | 754725 | 909916 |
| 940 | 47134 | 67856 | 120681 | 158427 | 188538 | 335252 | 523980 | 672402 | 758705 | 914713 |
| 945 | 47381 | 68212 | 121314 | 159257 | 189527 | 337011 | 526728 | 675928 | 762684 | 919511 |
| 950 | 47628 | 68568 | 121947 | 160088 | 190515 | 338769 | 529476 | 679455 | 766663 | 924308 |
| 955 | 47876 | 68924 | 122580 | 160919 | 191504 | 340527 | 532224 | 682981 | 770642 | 929105 |
| 960 | 48123 | 69280 | 123213 | 161750 | 192493 | 342285 | 534972 | 686508 | 774621 | 933903 |
| 965 | 48370 | 69636 | 123846 | 162581 | 193482 | 344044 | 537721 | 690034 | 778600 | 938700 |
| 970 | 48617 | 69991 | 124479 | 163412 | 194471 | 345802 | 540469 | 693561 | 782579 | 943497 |
| 975 | 48864 | 70347 | 125112 | 164243 | 195459 | 347560 | 543217 | 697087 | 786558 | 948294 |
| 980 | 49112 | 70703 | 125744 | 165074 | 196448 | 349318 | 545965 | 700614 | 790537 | 953092 |
| 985 | 49359 | 71059 | 126377 | 165905 | 197437 | 351077 | 548713 | 704140 | 794516 | 957889 |
| 990 | 49606 | 71415 | 127010 | 166735 | 198426 | 352835 | 551461 | 707667 | 798496 | 962686 |
| 995 | 49853 | 71771 | 127643 | 167566 | 199415 | 354593 | 554209 | 711193 | 802475 | 967484 |
| 1000 | 50100 | 72127 | 128276 | 168397 | 200403 | 356351 | 556957 | 714720 | 806454 | 972281 |
| 1005 | 50348 | 72483 | 128909 | 169228 | 201392 | 358110 | 559705 | 718246 | 810433 | 977078 |
| 1010 | 50595 | 72839 | 129542 | 170059 | 202381 | 359868 | 562453 | 721773 | 814412 | 981875 |
| 1015 | 50842 | 73194 | 130175 | 170890 | 203370 | 361626 | 565201 | 725299 | 818391 | 986673 |
| 1020 | 51089 | 73550 | 130808 | 171721 | 204359 | 363385 | 567949 | 728825 | 822370 | 991470 |
| 1025 | 51336 | 73906 | 131441 | 172552 | 205347 | 365143 | 570697 | 732352 | 826349 | 996267 |
| 1030 | 51584 | 74262 | 132074 | 173383 | 206336 | 366901 | 573445 | 735878 | 830328 | 1001065 |
| 1035 | 51831 | 74618 | 132707 | 174213 | 207325 | 368659 | 576193 | 739405 | 834307 | 1005862 |
| 1040 | 52078 | 74974 | 133340 | 175044 | 208314 | 370418 | 578941 | 742931 | 838287 | 1010659 |
| 1045 | 52325 | 75330 | 133972 | 175875 | 209303 | 372176 | 581690 | 746458 | 842266 | 1015457 |
| 1050 | 52572 | 75686 | 134605 | 176706 | 210291 | 373934 | 584438 | 749984 | 846245 | 1020254 |
| 1055 | 52820 | 76041 | 135238 | 177537 | 211280 | 375692 | 587186 | 753511 | 850224 | 1025051 |
| 1060 | 53067 | 76397 | 135871 | 178368 | 212269 | 377451 | 589934 | 757037 | 854203 | 1029848 |
| 1065 | 53314 | 76753 | 136504 | 179199 | 213258 | 379209 | 592682 | 760564 | 858182 | 1034646 |
| 1070 | 53561 | 77109 | 137137 | 180030 | 214247 | 380967 | 595430 | 764090 | 862161 | 1039443 |
| 1075 | 53808 | 77465 | 137770 | 180861 | 215235 | 382725 | 598178 | 767617 | 866140 | 1044240 |
| 1080 | 54056 | 77821 | 138403 | 181691 | 216224 | 384484 | 600926 | 771143 | 870119 | 1049038 |
| 1085 | 54303 | 78177 | 139036 | 182522 | 217213 | 386242 | 603674 | 774670 | 874098 | 1053835 |
| 1090 | 54550 | 78533 | 139669 | 183353 | 218202 | 388000 | 606422 | 778196 | 878077 | 1058632 |
| 1095 | 54797 | 78888 | 140302 | 184184 | 219191 | 389758 | 609170 | 781723 | 882057 | 1063430 |

Orifice Capacities (Contd.)

ASME, B & PVC, Section VIII rating - 2001 Edition pounds per hour saturated steam at 10% overpressure, 90% of actual capacity

W=51.5KAP for "P" less than or equal to 1580 psia

K=.878 (4" Q - K = .792)

W=51.5KAP x [.1906P-1000/.2292P-1061] for "P" greater than 1580 psia

A= flow area in sq. in.

P= (1.10 x set pressure) + 14.7

Apply correction factor for capacities on superheated steam. Correction factor tables begin on page 1700.66. Review pressure temperature limits. Pressure temperature tables begin on page 1700.32. The 1700 is certified as a restricted lift valve and capacities can be restricted down to 30% of its full rated capacity.

Orifice Designation & Area – Square Inches

| Orifice Designation Orifice Area Sq. In. Set Pressure (psig) | 1 0.994 | 2 1.431 | 3 2.545 | 5 3.341 | 4 3.976 | 6 7.07 | Q 4"=12.25 6"=11.05 | 8 14.18 | R 16 | RR 19.29 |
|--|------------|------------|------------|------------|------------|-----------|---------------------------|------------|---------|-------------|
| 1100 | 55044 | 79244 | 140935 | 185015 | 220179 | 391517 | 611918 | 785249 | 886036 | 1068227 |
| 1105 | 55292 | 79600 | 141568 | 185846 | 221168 | 393275 | 614666 | 788776 | 890015 | 1073024 |
| 1110 | 55539 | 79956 | 142200 | 186677 | 222157 | 395033 | 617414 | 792302 | 893994 | 1077821 |
| 1115 | 55786 | 80312 | 142833 | 187508 | 223146 | 396792 | 620162 | 795828 | 897973 | 1082619 |
| 1120 | 56033 | 80668 | 143466 | 188338 | 224135 | 398550 | 622910 | 799355 | 901952 | 1087416 |
| 1125 | 56281 | 81024 | 144099 | 189169 | 225124 | 400308 | 625659 | 802881 | 905931 | 1092213 |
| 1130 | 56528 | 81380 | 144732 | 190000 | 226112 | 402066 | 628407 | 806408 | 909910 | 1097011 |
| 1135 | 56775 | 81736 | 145365 | 190831 | 227101 | 403825 | 631155 | 809934 | 913889 | 1101808 |
| 1140 | 57022 | 82091 | 145998 | 191662 | 228090 | 405583 | 633903 | 813461 | 917868 | 1106605 |
| 1145 | 57269 | 82447 | 146631 | 192493 | 229079 | 407341 | 636651 | 816987 | 921848 | 1111403 |
| 1150 | 57517 | 82803 | 147264 | 193324 | 230068 | 409099 | 639399 | 820514 | 925827 | 1116200 |
| 1155 | 57764 | 83159 | 147897 | 194155 | 231056 | 410858 | 642147 | 824040 | 929806 | 1120997 |
| 1160 | 58011 | 83515 | 148530 | 194986 | 232045 | 412616 | 644895 | 827567 | 933785 | 1125794 |
| 1165 | 58258 | 83871 | 149163 | 195816 | 233034 | 414374 | 647643 | 831093 | 937764 | 1130592 |
| 1170 | 58505 | 84227 | 149796 | 196647 | 234023 | 416132 | 650391 | 834620 | 941743 | 1135389 |
| 1175 | 58753 | 84583 | 150429 | 197478 | 235012 | 417891 | 653139 | 838146 | 945722 | 1140186 |
| 1180 | 59000 | 84938 | 151061 | 198309 | 236000 | 419649 | 655887 | 841673 | 949701 | 1144984 |
| 1185 | 59247 | 85294 | 151694 | 199140 | 236989 | 421407 | 658635 | 845199 | 953680 | 1149781 |
| 1190 | 59494 | 85650 | 152327 | 199971 | 237978 | 423165 | 661383 | 848726 | 957659 | 1154578 |
| 1195 | 59741 | 86006 | 152960 | 200802 | 238967 | 424924 | 664131 | 852252 | 961638 | 1159375 |
| 1200 | 59989 | 86362 | 153593 | 201633 | 239956 | 426682 | 666879 | 855779 | 965618 | 1164173 |
| 1205 | 60236 | 86718 | 154226 | 202464 | 240944 | 428440 | 669628 | 859305 | 969597 | 1168970 |
| 1210 | 60483 | 87074 | 154859 | 203294 | 241933 | 430199 | 672376 | 862831 | 973576 | 1173767 |
| 1215 | 60730 | 87430 | 155492 | 204125 | 242922 | 431957 | 675124 | 866358 | 977555 | 1178565 |
| 1220 | 60977 | 87785 | 156125 | 204956 | 243911 | 433715 | 677872 | 869884 | 981534 | 1183362 |
| 1225 | 61225 | 88141 | 156758 | 205787 | 244900 | 435473 | 680620 | 873411 | 985513 | 1188159 |
| 1230 | 61472 | 88497 | 157391 | 206618 | 245888 | 437232 | 683368 | 876937 | 989492 | 1192957 |
| 1235 | 61719 | 88853 | 158024 | 207449 | 246877 | 438990 | 686116 | 880464 | 993471 | 1197754 |
| 1240 | 61966 | 89209 | 158657 | 208280 | 247866 | 440748 | 688864 | 883990 | 997450 | 1202551 |
| 1245 | 62213 | 89565 | 159289 | 209111 | 248855 | 442506 | 691612 | 887517 | 1001429 | 1207348 |
| 1250 | 62461 | 89921 | 159922 | 209941 | 249844 | 444265 | 694360 | 891043 | 1005409 | 1212146 |
| 1255 | 62708 | 90277 | 160555 | 210772 | 250832 | 446023 | 697108 | 894570 | 1009388 | 1216943 |
| 1260 | 62955 | 90633 | 161188 | 211603 | 251821 | 447781 | 699856 | 898096 | 1013367 | 1221740 |
| 1265 | 63202 | 90988 | 161821 | 212434 | 252810 | 449539 | 702604 | 901623 | 1017346 | 1226538 |
| 1270 | 63449 | 91344 | 162454 | 213265 | 253799 | 451298 | 705352 | 905149 | 1021325 | 1231335 |
| 1275 | 63697 | 91700 | 163087 | 214096 | 254788 | 453056 | 708100 | 908676 | 1025304 | 1236132 |
| 1280 | 63944 | 92056 | 163720 | 214927 | 255776 | 454814 | 710848 | 912202 | 1029283 | 1240930 |
| 1285 | 64191 | 92412 | 164353 | 215758 | 256765 | 456572 | 713597 | 915729 | 1033262 | 1245727 |
| 1290 | 64438 | 92768 | 164986 | 216589 | 257754 | 458331 | 716345 | 919255 | 1037241 | 1250524 |
| 1295 | 64685 | 93124 | 165619 | 217419 | 258743 | 460089 | 719093 | 922782 | 1041220 | 1255321 |
| 1300 | 64933 | 93480 | 166252 | 218250 | 259732 | 461847 | 721841 | 926308 | 1045199 | 1260119 |
| 1305 | 65180 | 93835 | 166885 | 219081 | 260721 | 463606 | 724589 | 929834 | 1049179 | 1264916 |
| 1310 | 65427 | 94191 | 167517 | 219912 | 261709 | 465364 | 727337 | 933361 | 1053158 | 1269713 |
| 1315 | 65674 | 94547 | 168150 | 220743 | 262698 | 467122 | 730085 | 936887 | 1057137 | 1274511 |
| 1320 | 65921 | 94903 | 168783 | 221574 | 263687 | 468880 | 732833 | 940414 | 1061116 | 1279308 |
| 1325 | 66169 | 95259 | 169416 | 222405 | 264676 | 470639 | 735581 | 943940 | 1065095 | 1284105 |
| 1330 | 66416 | 95615 | 170049 | 223236 | 265665 | 472397 | 738329 | 947467 | 1069074 | 1288903 |
| 1335 | 66663 | 95971 | 170682 | 224067 | 266653 | 474155 | 741077 | 950993 | 1073053 | 1293700 |
| 1340 | 66910 | 96327 | 171315 | 224897 | 267642 | 475913 | 743825 | 954520 | 1077032 | 1298497 |
| 1345 | 67157 | 96682 | 171948 | 225728 | 268631 | 477672 | 746573 | 958046 | 1081011 | 1303294 |

Orifice Capacities (Contd.)

ASME, B & PVC, Section VIII rating - 2001 Edition pounds per hour saturated steam at 10% overpressure, 90% of actual capacity

W=51.5KAP for "P" less than or equal to 1580 psia

K=.878 (4" Q - K = .792)

W=51.5KAP x [.1906P-1000/.2292P-1061] for "P" greater than 1580 psia

A= flow area in sq. in.

P= (1.10 x set pressure) + 14.7

Apply correction factor for capacities on superheated steam. Correction factor tables begin on page 1700.66. Review pressure temperature limits. Pressure temperature tables begin on page 1700.32. The 1700 is certified as a restricted lift valve and capacities can be restricted down to 30% of its full rated capacity.

Orifice Designation & Area - Square Inches

| Orifice Designation Orifice Area Sq. In. Set Pressure (psig) | 1 0.994 | 2 1.431 | 3 2.545 | 5 3.341 | 4 3.976 | 6 7.07 | Q 4"=12.25 6"=11.05 | 8 14.18 | R 16 | RR 19.29 |
|--|------------|------------|------------|------------|------------|-----------|---------------------------|------------|---------|-------------|
| 1350 | 67405 | 97038 | 172581 | 226559 | 269620 | 479430 | 749321 | 961573 | 1084990 | 1308092 |
| 1355 | 67652 | 97394 | 173214 | 227390 | 270609 | 481188 | 752069 | 965099 | 1088970 | 1312889 |
| 1360 | 67899 | 97750 | 173847 | 228221 | 271597 | 482946 | 754818 | 968626 | 1092949 | 1317686 |
| 1365 | 68146 | 98106 | 174480 | 229052 | 272586 | 484705 | 757566 | 972152 | 1096928 | 1322484 |
| 1370 | 68393 | 98462 | 175113 | 229883 | 273575 | 486463 | 760314 | 975679 | 1100907 | 1327281 |
| 1375 | 68641 | 98818 | 175745 | 230714 | 274564 | 488221 | 763062 | 979205 | 1104886 | 1332078 |
| 1380 | 68888 | 99174 | 176378 | 231544 | 275553 | 489979 | 765810 | 982732 | 1108865 | 1336876 |
| 1385 | 69135 | 99530 | 177011 | 232375 | 276541 | 491738 | 768558 | 986258 | 1112844 | 1341673 |
| 1390 | 69382 | 99885 | 177644 | 233206 | 277530 | 493496 | 771306 | 989785 | 1116823 | 1346470 |
| 1395 | 69629 | 100241 | 178277 | 234037 | 278519 | 495254 | 774054 | 993311 | 1120802 | 1351267 |
| 1400 | 69877 | 100597 | 178910 | 234868 | 279508 | 497013 | 776802 | 996837 | 1124781 | 1356065 |
| 1405 | 70124 | 100953 | 179543 | 235699 | 280497 | 498771 | 779550 | 1000364 | 1128761 | 1360862 |
| 1410 | 70371 | 101309 | 180176 | 236530 | 281485 | 500529 | 782298 | 1003890 | 1132740 | 1365659 |
| 1415 | 70618 | 101665 | 180809 | 237361 | 282474 | 502287 | 785046 | 1007417 | 1136719 | 1370457 |
| 1420 | 70865 | 102021 | 181442 | 238192 | 283463 | 504046 | 787794 | 1010943 | 1140698 | 1375254 |
| 1425 | 71120 | 102387 | 182094 | 239047 | 284482 | 505857 | 790625 | 1014576 | 1144796 | 1380195 |
| 1430 | 71389 | 102774 | 182782 | 239951 | 285557 | 507770 | 793615 | 1018413 | 1149126 | 1385415 |
| 1435 | 71658 | 103162 | 183472 | 240856 | 286634 | 509685 | 796608 | 1022253 | 1153459 | 1390639 |
| 1440 | 71928 | 103550 | 184162 | 241762 | 287712 | 511601 | 799603 | 1026097 | 1157796 | 1395868 |
| 1445 | 72197 | 103938 | 184852 | 242668 | 288791 | 513519 | 802601 | 1029944 | 1162137 | 1401101 |
| 1450 | 72467 | 104327 | 185543 | 243575 | 289870 | 515439 | 805601 | 1033794 | 1166481 | 1406339 |
| 1455 | 72737 | 104716 | 186235 | 244483 | 290951 | 517360 | 808604 | 1037648 | 1170830 | 1411582 |
| 1460 | 73008 | 105105 | 186927 | 245392 | 292032 | 519283 | 811610 | 1041505 | 1175182 | 1416828 |
| 1465 | 73278 | 105494 | 187620 | 246302 | 293115 | 521208 | 814618 | 1045365 | 1179537 | 1422080 |
| 1470 | 73549 | 105884 | 188313 | 247212 | 294198 | 523134 | 817629 | 1049229 | 1183897 | 1427336 |
| 1475 | 73820 | 106275 | 189007 | 248123 | 295282 | 525062 | 820642 | 1053096 | 1188261 | 1432597 |
| 1480 | 74092 | 106665 | 189702 | 249035 | 296368 | 526992 | 823659 | 1056967 | 1192628 | 1437862 |
| 1485 | 74363 | 107056 | 190397 | 249948 | 297454 | 528924 | 826678 | 1060841 | 1197000 | 1443133 |
| 1490 | 74635 | 107448 | 191093 | 250862 | 298541 | 530857 | 829699 | 1064718 | 1201375 | 1448408 |
| 1495 | 74907 | 107839 | 191790 | 251776 | 299630 | 532792 | 832724 | 1068600 | 1205754 | 1453687 |
| 1500 | 75179 | 108231 | 192487 | 252691 | 300719 | 534729 | 835751 | 1072484 | 1210137 | 1458972 |
| 1505 | 75452 | 108624 | 193185 | 253608 | 301809 | 536668 | 838781 | 1076372 | 1214524 | 1464261 |
| 1510 | 75725 | 109016 | 193883 | 254524 | 302900 | 538608 | 841814 | 1080264 | 1218916 | 1469555 |
| 1515 | 75998 | 109409 | 194582 | 255442 | 303992 | 540550 | 844849 | 1084159 | 1223311 | 1474854 |
| 1520 | 76271 | 109803 | 195282 | 256361 | 305086 | 542494 | 847887 | 1088058 | 1227710 | 1480158 |
| 1525 | 76545 | 110197 | 195983 | 257280 | 306180 | 544440 | 850928 | 1091961 | 1232114 | 1485467 |
| 1530 | 76818 | 110591 | 196684 | 258201 | 307275 | 546388 | 853972 | 1095867 | 1236521 | 1490781 |
| 1535 | 77092 | 110985 | 197385 | 259122 | 308371 | 548337 | 857019 | 1099777 | 1240933 | 1496100 |
| 1540 | 77367 | 111380 | 198088 | 260044 | 309469 | 550288 | 860069 | 1103690 | 1245349 | 1501424 |
| 1545 | 77641 | 111776 | 198791 | 260967 | 310567 | 552241 | 863121 | 1107607 | 1249769 | 1506752 |
| 1550 | 77916 | 112171 | 199495 | 261891 | 311667 | 554196 | 866177 | 1111528 | 1254193 | 1512086 |
| 1555 | 78191 | 112567 | 200199 | 262815 | 312767 | 556153 | 869235 | 1115453 | 1258621 | 1517425 |
| 1560 | 78467 | 112964 | 200904 | 263741 | 313868 | 558112 | 872296 | 1119381 | 1263054 | 1522769 |
| 1565 | 78742 | 113361 | 201610 | 264667 | 314971 | 560072 | 875361 | 1123314 | 1267491 | 1528119 |
| 1570 | 79018 | 113758 | 202316 | 265595 | 316075 | 562035 | 878428 | 1127250 | 1271932 | 1533473 |
| 1575 | 79294 | 114156 | 203023 | 266523 | 317179 | 563999 | 881498 | 1131189 | 1276377 | 1538833 |
| 1580 | 79571 | 114554 | 203731 | 267452 | 318285 | 565965 | 884571 | 1135133 | 1280827 | 1544197 |
| 1585 | 79848 | 114952 | 204440 | 268382 | 319392 | 567933 | 887647 | 1139081 | 1285282 | 1549568 |
| 1590 | 80125 | 115351 | 205149 | 269313 | 320500 | 569904 | 890727 | 1143032 | 1289740 | 1554943 |
| 1595 | 80402 | 115750 | 205859 | 270245 | 321609 | 571876 | 893809 | 1146988 | 1294203 | 1560324 |

Orifice Capacities (Contd.)

ASME, B & PVC, Section I rating - 2001 Edition

pounds per hour saturated steam at 3% overpressure, 90% of actual capacity

W=51.5KAP for "P" less than or equal to 1580 psia

K=.878 (4" Q - K = .792)

W=51.5KAP x [.1906P-1000/2292P-1061] for "P" greater than 1580 psia

A= flow area in sq. in.

P= (1.03 x set pressure) + 14.7

Apply correction factor for capacities on superheated steam. Correction factor tables begin on page 1700.66. Review pressure temperature limits. Pressure temperature tables begin on page 1700.32. The 1700 is certified as a restricted lift valve and capacities can be restricted down to 30% of its full rated capacity.

Orifice Designation & Area - Square Inches

| Orifice Designation Orifice Area Sq. In. Set Pressure (psig) | 1 0.994 | 2 1.431 | 3 2.545 | 5 3.341 | 4 3.976 | 6 7.07 | Q 4"=12.25 6"=11.05 | 8 14.18 | R 16 | RR 19.29 |
|--|------------|------------|------------|------------|------------|-----------|---------------------------|------------|---------|-------------|
| 1600 | 80679 | 116149 | 206569 | 271178 | 322719 | 573850 | 896894 | 1150947 | 1298671 | 1565710 |
| 1605 | 80957 | 116549 | 207281 | 272112 | 323831 | 575826 | - | - | - | - |
| 1610 | 81235 | 116950 | 207993 | 273047 | 324943 | 577804 | - | - | - | - |
| 1615 | 81514 | 117351 | 208706 | 273983 | 326057 | 579784 | - | - | - | - |
| 1620 | 81792 | 117752 | 209419 | 274919 | 327171 | 581766 | - | - | - | - |
| 1625 | 82071 | 118153 | 210133 | 275857 | 328287 | 583750 | - | - | - | - |
| 1630 | 82351 | 118555 | 210848 | 276795 | 329404 | 585736 | - | - | - | - |
| 1635 | 82630 | 118958 | 211564 | 277735 | 330522 | 587724 | - | - | - | - |
| 1640 | 82910 | 119361 | 212280 | 278675 | 331641 | 589715 | - | - | - | - |
| 1645 | 83190 | 119764 | 212997 | 279617 | 332762 | 591707 | - | - | - | - |
| 1650 | 83470 | 120167 | 213715 | 280559 | 333883 | 593701 | - | - | - | - |
| 1655 | 83751 | 120572 | 214434 | 281503 | 335006 | 595698 | - | - | - | - |
| 1660 | 84032 | 120976 | 215153 | 282447 | 336130 | 597696 | - | - | - | - |
| 1665 | 84313 | 121381 | 215874 | 283393 | 337255 | 599697 | - | - | - | - |
| 1670 | 84595 | 121786 | 216595 | 284339 | 338382 | 601700 | - | - | - | - |
| 1675 | 84877 | 122192 | 217316 | 285287 | 339509 | 603705 | - | - | - | - |
| 1680 | 85159 | 122598 | 218039 | 286235 | 340638 | 605712 | - | - | - | - |
| 1685 | 85442 | 123005 | 218762 | 287185 | 341768 | 607721 | - | - | - | - |
| 1690 | 85724 | 123412 | 219486 | 288135 | 342899 | 609733 | - | - | - | - |
| 1695 | 86007 | 123820 | 220211 | 289087 | 344031 | 611746 | - | - | - | - |
| 1700 | 86291 | 124228 | 220937 | 290039 | 345165 | 613762 | - | - | - | - |
| 1705 | 86575 | 124636 | 221663 | 290993 | 346300 | 615781 | - | - | - | - |
| 1710 | 86859 | 125045 | 222391 | 291948 | 347436 | 617801 | - | - | - | - |
| 1715 | 87143 | 125455 | 223119 | 292904 | 348574 | 619823 | - | - | - | - |
| 1720 | 87428 | 125865 | 223847 | 293860 | 349713 | 621848 | - | - | - | - |
| 1725 | 87713 | 126275 | 224577 | 294818 | 350853 | 623876 | - | - | - | - |
| 1730 | 87998 | 126686 | 225308 | 295777 | 351994 | 625905 | - | - | - | - |
| 1735 | 88284 | 127097 | 226039 | 296738 | 353136 | 627937 | - | - | - | - |
| 1740 | 88570 | 127509 | 226771 | 297699 | 354280 | 629971 | - | - | - | - |
| 1745 | 88856 | 127921 | 227504 | 298661 | 355426 | 632007 | - | - | - | - |
| 1750 | 89143 | 128333 | 228238 | 299625 | 356572 | 634046 | - | - | - | - |
| 1755 | 89430 | 128747 | 228973 | 300589 | 357720 | 636087 | - | - | - | - |
| 1760 | 89717 | 129160 | 229709 | 301555 | 358869 | 638131 | - | - | - | - |
| 1765 | 90005 | 129574 | 230445 | 302522 | 360020 | 640176 | - | - | - | - |
| 1770 | 90293 | 129989 | 231182 | 303490 | 361172 | 642225 | - | - | - | - |
| 1775 | 90581 | 130404 | 231921 | 304459 | 362325 | 644275 | - | - | - | - |
| 1780 | 90870 | 130819 | 232660 | 305429 | 363480 | 646329 | - | - | - | - |
| 1785 | 91159 | 131236 | 233400 | 306400 | 364636 | 648384 | - | - | - | - |
| 1790 | 91448 | 131652 | 234141 | 307373 | 365793 | 650442 | - | - | - | - |
| 1795 | 91738 | 132069 | 234882 | 308347 | 366952 | 652503 | - | - | - | - |
| 1800 | 92028 | 132487 | 235625 | 309321 | 368112 | 654566 | - | - | - | - |
| 1805 | 92318 | 132905 | 236368 | 310298 | 369274 | 656631 | - | - | - | - |
| 1810 | 92609 | 133323 | 237113 | 311275 | 370437 | 658700 | - | - | - | - |
| 1815 | 92900 | 133742 | 237858 | 312253 | 371601 | 660770 | - | - | - | - |
| 1820 | 93191 | 134162 | 238605 | 313233 | 372767 | 662843 | - | - | - | - |
| 1825 | 93483 | 134582 | 239352 | 314214 | 373935 | 664919 | - | - | - | - |
| 1830 | 93775 | 135003 | 240100 | 315196 | 375103 | 666998 | - | - | - | - |
| 1835 | 94068 | 135424 | 240849 | 316180 | 376274 | 669079 | - | - | - | - |
| 1840 | 94361 | 135846 | 241599 | 317164 | 377445 | 671162 | - | - | - | - |
| 1845 | 94654 | 136268 | 242350 | 318150 | 378619 | 673249 | - | - | - | - |

Orifice Capacities (Contd.)

ASME, B & PVC, Section I rating - 2001 Edition

pounds per hour saturated steam at 3% overpressure, 90% of actual capacity

W=51.5KAP for "P" less than or equal to 1580 psia

K=.878 (4" Q - K = .792)

W=51.5KAP x [1.906P-1000/.2292P-1061] for "P" greater than 1580 psia

A= flow area in sq. in.

P= (1.03 x set pressure) + 14.7

Apply correction factor for capacities on superheated steam. Correction factor tables begin on page 1700.66. Review pressure temperature limits. Pressure temperature tables begin on page 1700.32. The 1700 is certified as a restricted lift valve and capacities can be restricted down to 30% of its full rated capacity.

Orifice Designation & Area - Square Inches

| Orifice Designation Orifice Area Sq. In. Set Pressure (psig) | 1 0.994 | 2 1.431 | 3 2.545 | 5 3.341 | 4 3.976 | 6 7.07 | Q 4"=12.25 6"=11.05 | 8 14.18 | R 16 | RR 19.29 |
|--|------------|------------|------------|------------|------------|-----------|---------------------------|------------|---------|-------------|
| 1850 | 94948 | 136691 | 243102 | 319137 | 379794 | 675337 | - | - | - | - |
| 1855 | 95242 | 137114 | 243855 | 320126 | 380970 | 677429 | - | - | - | - |
| 1860 | 95537 | 137538 | 244609 | 321115 | 382148 | 679523 | - | - | - | - |
| 1865 | 95831 | 137963 | 245364 | 322106 | 383327 | 681620 | - | - | - | - |
| 1870 | 96127 | 138388 | 246120 | 323099 | 384508 | 683720 | - | - | - | - |
| 1875 | 96422 | 138813 | 246876 | 324092 | 385690 | 685823 | - | - | - | - |
| 1880 | 96718 | 139239 | 247634 | 325087 | 386874 | 687928 | - | - | - | - |
| 1885 | 97015 | 139666 | 248393 | 326083 | 388060 | 690036 | - | - | - | - |
| 1890 | 97311 | 140093 | 249153 | 327081 | 389247 | 692147 | - | - | - | - |
| 1895 | 97608 | 140521 | 249914 | 328080 | 390435 | 694260 | - | - | - | - |
| 1900 | 97906 | 140949 | 250676 | 329080 | 391626 | 696377 | - | - | - | - |
| 1905 | 98204 | 141378 | 251439 | 330081 | 392818 | 698496 | - | - | - | - |
| 1910 | 98502 | 141808 | 252203 | 331084 | 394011 | 700619 | - | - | - | - |
| 1915 | 98801 | 142238 | 252968 | 332088 | 395206 | 702744 | - | - | - | - |
| 1920 | 99100 | 142669 | 253734 | 333094 | 396403 | 704872 | - | - | - | - |
| 1925 | 99400 | 143100 | 254501 | 334101 | 397601 | 707003 | - | - | - | - |
| 1930 | 99700 | 143532 | 255269 | 335109 | 398801 | 709137 | - | - | - | - |
| 1935 | 100000 | 143965 | 256038 | 336119 | 400003 | 711274 | - | - | - | - |
| 1940 | 100301 | 144398 | 256808 | 337130 | 401207 | 713413 | - | - | - | - |
| 1945 | 100603 | 144831 | 257580 | 338143 | 402412 | 715556 | - | - | - | - |
| 1950 | 100904 | 145266 | 258352 | 339157 | 403619 | 717702 | - | - | - | - |
| 1955 | 101206 | 145701 | 259126 | 340173 | 404827 | 719851 | - | - | - | - |
| 1960 | 101509 | 146136 | 259900 | 341190 | 406037 | 722003 | - | - | - | - |
| 1965 | 101812 | 146573 | 260676 | 342208 | 407249 | 724159 | - | - | - | - |
| 1970 | 102115 | 147009 | 261453 | 343228 | 408463 | 726317 | - | - | - | - |
| 1975 | 102419 | 147447 | 262231 | 344250 | 409679 | 728478 | - | - | - | - |
| 1980 | 102724 | 147885 | 263010 | 345272 | 410896 | 730643 | - | - | - | - |
| 1985 | 103028 | 148324 | 263791 | 346297 | 412115 | 732811 | - | - | - | - |
| 1990 | 103334 | 148763 | 264572 | 347323 | 413336 | 734982 | - | - | - | - |
| 1995 | 103639 | 149203 | 265355 | 348350 | 414559 | 737156 | - | - | - | - |
| 2000 | 103945 | 149644 | 266139 | 349379 | 415783 | 739333 | - | - | - | - |
| 2005 | 104252 | 150085 | 266924 | 350410 | 417010 | 741514 | - | - | - | - |
| 2010 | 104559 | 150527 | 267710 | 351442 | 418238 | 743698 | - | - | - | - |
| 2015 | 104867 | 150970 | 268497 | 352475 | 419468 | 745885 | - | - | - | - |
| 2020 | 105175 | 151414 | 269286 | 353510 | 420700 | 748076 | - | - | - | - |
| 2025 | 105483 | 151858 | 270076 | 354547 | 421934 | 750270 | - | - | - | - |
| 2030 | 105792 | 152302 | 270867 | 355586 | 423169 | 752467 | - | - | - | - |
| 2035 | 106101 | 152748 | 271659 | 356626 | 424407 | 754668 | - | - | - | - |
| 2040 | 106411 | 153194 | 272452 | 357667 | 425647 | 756872 | - | - | - | - |
| 2045 | 106722 | 153641 | 273247 | 358710 | 426888 | 759080 | - | - | - | - |
| 2050 | 107033 | 154088 | 274043 | 359755 | 428132 | 761291 | - | - | - | - |
| 2055 | 107344 | 154537 | 274840 | 360802 | 429377 | 763505 | - | - | - | - |
| 2060 | 107656 | 154985 | 275638 | 361850 | 430624 | 765723 | - | - | - | - |
| 2065 | 107968 | 155435 | 276438 | 362900 | 431874 | 767945 | - | - | - | - |
| 2070 | 108281 | 155886 | 277239 | 363952 | 433125 | 770170 | - | - | - | - |
| 2075 | 108594 | 156337 | 278042 | 365005 | 434379 | 772399 | - | - | - | - |
| 2080 | 108908 | 156789 | 278845 | 366060 | 435634 | 774632 | - | - | - | - |
| 2085 | 109223 | 157241 | 279650 | 367117 | 436892 | 776868 | - | - | - | - |
| 2090 | 109537 | 157695 | 280456 | 368175 | 438151 | 779108 | - | - | - | - |
| 2095 | 109853 | 158149 | 281264 | 369235 | 439413 | 781351 | - | - | - | - |

Orifice Capacities (Contd.)

ASME, B & PVC, Section I rating - 2001 Edition

pounds per hour saturated steam at 3% overpressure, 90% of actual capacity

W=51.5KAP for "P" less than or equal to 1580 psia

$K = .878 (4" Q - K = .792)$

W=51.5KAP x [1.906P-1000/2292P-1061] for "P" greater than 1580 psia

A= flow area in sq. in.

$P = (1.03 \times \text{set pressure}) + 14.7$

Apply correction factor for capacities on superheated steam. Correction factor tables begin on page 1700.66. Review pressure temperature limits. Pressure temperature tables begin on page 1700.32. The 1700 is certified as a restricted lift valve and capacities can be restricted down to 30% of its full rated capacity.

Orifice Designation & Area – Square Inches

| Orifice Designation Orifice Area Sq. In. Set Pressure (psig) | 1 0.994 | 2 1.431 | 3 2.545 | 5 3.341 | 4 3.976 | 6 7.07 | Q 4"=12.25 6"=11.05 | 8 14.18 | R 16 | RR 19.29 |
|--|------------|------------|------------|------------|------------|-----------|---------------------------|------------|---------|-------------|
| 2100 | 110169 | 158603 | 282073 | 370297 | 440677 | 783598 | - | - | - | - |
| 2105 | 110485 | 159059 | 282883 | 371361 | 441943 | 785849 | - | - | - | - |
| 2110 | 110802 | 159515 | 283695 | 372426 | 443211 | 788104 | - | - | - | - |
| 2115 | 111120 | 159973 | 284508 | 373494 | 444481 | 790363 | - | - | - | - |
| 2120 | 111438 | 160431 | 285322 | 374563 | 445753 | 792625 | - | - | - | - |
| 2125 | 111757 | 160889 | 286138 | 375634 | 447028 | 794892 | - | - | - | - |
| 2130 | 112076 | 161349 | 286955 | 376707 | 448305 | 797162 | - | - | - | - |
| 2135 | 112396 | 161809 | 287774 | 377781 | 449584 | 799436 | - | - | - | - |
| 2140 | 112716 | 162270 | 288594 | 378858 | 450865 | 801714 | - | - | - | - |
| 2145 | 113037 | 162732 | 289416 | 379936 | 452148 | 803996 | - | - | - | - |
| 2150 | 113358 | 163195 | 290238 | 381016 | 453434 | 806282 | - | - | - | - |
| 2155 | 113680 | 163658 | 291063 | 382099 | 454722 | 808572 | - | - | - | - |
| 2160 | 114003 | 164123 | 291889 | 383183 | 456012 | 810866 | - | - | - | - |
| 2165 | 114326 | 164588 | 292716 | 384269 | 457304 | 813165 | - | - | - | - |
| 2170 | 114649 | 165054 | 293545 | 385357 | 458599 | 815467 | - | - | - | - |
| 2175 | 114974 | 165521 | 294375 | 386447 | 459896 | 817774 | - | - | - | - |
| 2180 | 115299 | 165988 | 295207 | 387539 | 461196 | 820084 | - | - | - | - |
| 2185 | 115624 | 166457 | 296040 | 388633 | 462498 | 822399 | - | - | - | - |
| 2190 | 115950 | 166926 | 296875 | 389729 | 463802 | 824719 | - | - | - | - |
| 2195 | 116277 | 167397 | 297711 | 390827 | 465109 | 827042 | - | - | - | - |
| 2200 | 116604 | 167868 | 298549 | 391927 | 466418 | 829370 | - | - | - | - |
| 2205 | 116932 | 168340 | 299389 | 393029 | 467729 | 831702 | - | - | - | - |
| 2210 | 117260 | 168813 | 300230 | 394133 | 469043 | 834039 | - | - | - | - |
| 2215 | 117590 | 169287 | 301073 | 395239 | 470360 | 836380 | - | - | - | - |
| 2220 | 117919 | 169761 | 301917 | 396348 | 471679 | 838725 | - | - | - | - |
| 2225 | 118250 | 170237 | 302763 | 397458 | 473000 | 841075 | - | - | - | - |
| 2230 | 118581 | 170714 | 303610 | 398571 | 474324 | 843429 | - | - | - | - |
| 2235 | 118912 | 171191 | 304460 | 399686 | 475651 | 845788 | - | - | - | - |
| 2240 | 119245 | 171669 | 305310 | 400802 | 476980 | 848152 | - | - | - | - |
| 2245 | 119578 | 172149 | 306163 | 401922 | 478312 | 850520 | - | - | - | - |
| 2250 | 119911 | 172629 | 307017 | 403043 | 479646 | 852893 | - | - | - | - |
| 2255 | 120246 | 173110 | 307873 | 404166 | 480984 | 855270 | - | - | - | - |
| 2260 | 120580 | 173592 | 308730 | 405292 | 482323 | 857653 | - | - | - | - |
| 2265 | 120916 | 174076 | 309590 | 406420 | 483666 | 860040 | - | - | - | - |
| 2270 | 121252 | 174560 | 310451 | 407551 | 485011 | 862432 | - | - | - | - |
| 2275 | 121589 | 175045 | 311313 | 408683 | 486359 | 864828 | - | - | - | - |
| 2280 | 121927 | 175531 | 312178 | 409818 | 487709 | 867230 | - | - | - | - |
| 2285 | 122265 | 176018 | 313044 | 410955 | 489063 | 869636 | - | - | - | - |
| 2290 | 122604 | 176506 | 313912 | 412095 | 490419 | 872048 | - | - | - | - |
| 2295 | 122944 | 176995 | 314782 | 413237 | 491778 | 874464 | - | - | - | - |
| 2300 | 123284 | 177485 | 315654 | 414381 | 493139 | 876886 | - | - | - | - |
| 2305 | 123626 | 177976 | 316527 | 415528 | 494504 | 879312 | - | - | - | - |
| 2310 | 123968 | 178469 | 317403 | 416677 | 495872 | 881744 | - | - | - | - |
| 2315 | 124310 | 178962 | 318280 | 417828 | 497242 | 884181 | - | - | - | - |
| 2320 | 124653 | 179456 | 319159 | 418982 | 498615 | 886623 | - | - | - | - |
| 2325 | 124998 | 179951 | 320040 | 420139 | 499992 | 889070 | - | - | - | - |
| 2330 | 125342 | 180448 | 320923 | 421298 | 501371 | 891523 | - | - | - | - |
| 2335 | 125688 | 180945 | 321807 | 422459 | 502753 | 893980 | - | - | - | - |
| 2340 | 126034 | 181444 | 322694 | 423623 | 504138 | 896444 | - | - | - | - |
| 2345 | 126381 | 181944 | 323583 | 424790 | 505527 | 898912 | - | - | - | - |

Orifice Capacities (Contd.)

ASME, B & PVC, Section I rating - 2001 Edition

pounds per hour saturated steam at 3% overpressure, 90% of actual capacity

W=51.5KAP for "P" less than or equal to 1580 psia

K=.878 (4" Q - K = .792)

W=51.5KAP x [1.906P-1000/.2292P-1061] for "P" greater than 1580 psia

A= flow area in sq. in.

P= (1.03 x set pressure) + 14.7

Apply correction factor for capacities on superheated steam. Correction factor tables begin on page 1700.66. Review pressure temperature limits. Pressure temperature tables begin on page 1700.32. The 1700 is certified as a restricted lift valve and capacities can be restricted down to 30% of its full rated capacity.

Orifice Designation & Area - Square Inches

| Orifice Designation Orifice Area Sq. In. Set Pressure (psig) | 1 0.994 | 2 1.431 | 3 2.545 | 5 3.341 | 4 3.976 | 6 7.07 | Q 4"=12.25 6"=11.05 | 8 14.18 | R 16 | RR 19.29 |
|--|------------|------------|------------|------------|------------|-----------|---------------------------|------------|---------|-------------|
| 2350 | 126729 | 182444 | 324473 | 425959 | 506918 | 901386 | - | - | - | - |
| 2355 | 127078 | 182946 | 325366 | 427131 | 508313 | 903866 | - | - | - | - |
| 2360 | 127427 | 183449 | 326260 | 428305 | 509710 | 906351 | - | - | - | - |
| 2365 | 127777 | 183953 | 327157 | 429482 | 511111 | 908842 | - | - | - | - |
| 2370 | 128128 | 184459 | 328056 | 430662 | 512515 | 911338 | - | - | - | - |
| 2375 | 128480 | 184965 | 328956 | 431844 | 513922 | 913840 | - | - | - | - |
| 2380 | 128833 | 185473 | 329859 | 433029 | 515332 | 916348 | - | - | - | - |
| 2385 | 129186 | 185981 | 330764 | 434217 | 516746 | 918862 | - | - | - | - |
| 2390 | 129540 | 186491 | 331671 | 435408 | 518163 | 921381 | - | - | - | - |
| 2395 | 129895 | 187002 | 332580 | 436601 | 519583 | 923906 | - | - | - | - |
| 2400 | 130251 | 187515 | 333491 | 437797 | 521006 | 926438 | - | - | - | - |
| 2405 | 130608 | 188028 | 334404 | 438996 | 522433 | 928975 | - | - | - | - |
| 2410 | 130965 | 188543 | 335320 | 440198 | 523863 | 931518 | - | - | - | - |
| 2415 | 131324 | 189059 | 336237 | 441403 | 525297 | 934067 | - | - | - | - |
| 2420 | 131683 | 189576 | 337157 | 442610 | 526734 | 936623 | - | - | - | - |
| 2425 | 132043 | 190095 | 338079 | 443821 | 528175 | 939184 | - | - | - | - |
| 2430 | 132404 | 190614 | 339004 | 445034 | 529619 | 941752 | - | - | - | - |
| 2435 | 132766 | 191135 | 339930 | 446251 | 531066 | 944326 | - | - | - | - |
| 2440 | 133129 | 191658 | 340859 | 447470 | 532517 | 946906 | - | - | - | - |
| 2445 | 133493 | 192181 | 341790 | 448692 | 533972 | 949493 | - | - | - | - |
| 2450 | 133857 | 192706 | 342724 | 449918 | 535431 | 952086 | - | - | - | - |
| 2455 | 134223 | 193232 | 343660 | 451146 | 536893 | 954686 | - | - | - | - |
| 2460 | 134589 | 193760 | 344598 | 452378 | 538358 | 957292 | - | - | - | - |
| 2465 | 134957 | 194289 | 345538 | 453613 | 539828 | 959905 | - | - | - | - |
| 2470 | 135325 | 194819 | 346481 | 454851 | 541301 | 962525 | - | - | - | - |
| 2475 | 135694 | 195351 | 347427 | 456092 | 542778 | 965151 | - | - | - | - |
| 2480 | 136064 | 195884 | 348375 | 457336 | 544259 | 967784 | - | - | - | - |
| 2485 | 136435 | 196418 | 349325 | 458584 | 545743 | 970424 | - | - | - | - |
| 2490 | 136808 | 196954 | 350278 | 459834 | 547232 | 973071 | - | - | - | - |
| 2495 | 137181 | 197491 | 351233 | 461088 | 548724 | 975725 | - | - | - | - |
| 2500 | 137555 | 198029 | 352191 | 462346 | 550221 | 978386 | - | - | - | - |
| 2505 | 137930 | 198569 | 353151 | 463607 | 551721 | 981054 | - | - | - | - |
| 2510 | 138306 | 199111 | 354114 | 464871 | 553226 | 983729 | - | - | - | - |
| 2515 | 138683 | 199654 | 355080 | 466138 | 554734 | 986411 | - | - | - | - |
| 2520 | 139061 | 200198 | 356048 | 467409 | 556247 | 989101 | - | - | - | - |
| 2525 | 139440 | 200744 | 357019 | 468684 | 557763 | 991798 | - | - | - | - |
| 2530 | 139821 | 201291 | 357992 | 469962 | 559284 | 994502 | - | - | - | - |
| 2535 | 140202 | 201840 | 358969 | 471243 | 560809 | 997214 | - | - | - | - |
| 2540 | 140584 | 202391 | 359947 | 472528 | 562339 | 999933 | - | - | - | - |
| 2545 | 140968 | 202943 | 360929 | 473817 | 563872 | 1002661 | - | - | - | - |
| 2550 | 141352 | 203496 | 361914 | 475109 | 565410 | 1005395 | - | - | - | - |
| 2555 | 141738 | 204051 | 362901 | 476405 | 566952 | 1008138 | - | - | - | - |
| 2560 | 142124 | 204608 | 363891 | 477705 | 568499 | 1010888 | - | - | - | - |
| 2565 | 142512 | 205166 | 364884 | 479009 | 570050 | 1013646 | - | - | - | - |
| 2570 | 142901 | 205726 | 365879 | 480316 | 571606 | 1016412 | - | - | - | - |
| 2575 | 143291 | 206288 | 366878 | 481627 | 573166 | 1019187 | - | - | - | - |
| 2580 | 143682 | 206851 | 367880 | 482942 | 574731 | 1021969 | - | - | - | - |
| 2585 | 144075 | 207416 | 368884 | 484260 | 576300 | 1024760 | - | - | - | - |
| 2590 | 144468 | 207982 | 369892 | 485583 | 577874 | 1027558 | - | - | - | - |
| 2595 | 144863 | 208550 | 370902 | 486909 | 579453 | 1030366 | - | - | - | - |

Orifice Capacities (Contd.)

ASME, B & PVC, Section I rating - 2001 Edition

pounds per hour saturated steam at 3% overpressure, 90% of actual capacity

W=51.5KAP for "P" less than or equal to 1580 psia

K=.878 (4" Q - K = .792)

W=51.5KAP x [.1906P-1000/.2292P-1061] for "P" greater than 1580 psia

A= flow area in sq. in.

P= (1.03 x set pressure) + 14.7

Apply correction factor for capacities on superheated steam. Correction factor tables begin on page 1700.66. Review pressure temperature limits. Pressure temperature tables begin on page 1700.32. The 1700 is certified as a restricted lift valve and capacities can be restricted down to 30% of its full rated capacity.

Orifice Designation & Area – Square Inches

| Orifice Designation Orifice Area Sq. In. Set Pressure (psig) | 1 0.994 | 2 1.431 | 3 2.545 | 5 3.341 | 4 3.976 | 6 7.07 | Q 4"=12.25 6"=11.05 | 8 14.18 | R 16 | RR 19.29 |
|--|------------|------------|------------|------------|------------|-----------|---------------------------|------------|---------|-------------|
| 2600 | 145259 | 209120 | 371916 | 488240 | 581036 | 1033181 | - | - | - | - |
| 2605 | 145656 | 209692 | 372932 | 489575 | 582625 | 1036005 | - | - | - | - |
| 2610 | 146054 | 210265 | 373952 | 490913 | 584218 | 1038838 | - | - | - | - |
| 2615 | 146454 | 210840 | 374975 | 492256 | 585816 | 1041680 | - | - | - | - |
| 2620 | 146854 | 211417 | 376001 | 493603 | 587418 | 1044530 | - | - | - | - |
| 2625 | 147256 | 211996 | 377030 | 494954 | 589026 | 1047389 | - | - | - | - |
| 2630 | 147659 | 212576 | 378062 | 496309 | 590639 | 1050257 | - | - | - | - |
| 2635 | 148064 | 213159 | 379098 | 497669 | 592257 | 1053134 | - | - | - | - |
| 2640 | 148470 | 213743 | 380137 | 499033 | 593880 | 1056020 | - | - | - | - |
| 2645 | 148877 | 214329 | 381179 | 500401 | 595508 | 1058915 | - | - | - | - |
| 2650 | 149285 | 214917 | 382225 | 501773 | 597142 | 1061819 | - | - | - | - |
| 2655 | 149695 | 215506 | 383274 | 503150 | 598781 | 1064733 | - | - | - | - |
| 2660 | 150106 | 216098 | 384326 | 504532 | 600425 | 1067657 | - | - | - | - |
| 2665 | 150518 | 216692 | 385382 | 505918 | 602074 | 1070590 | - | - | - | - |
| 2670 | 150932 | 217287 | 386441 | 507308 | 603729 | 1073532 | - | - | - | - |
| 2675 | 151347 | 217885 | 387504 | 508703 | 605389 | 1076484 | - | - | - | - |
| 2680 | 151763 | 218484 | 388570 | 510103 | 607055 | 1079446 | - | - | - | - |
| 2685 | 152181 | 219086 | 389640 | 511508 | 608726 | 1082418 | - | - | - | - |
| 2690 | 152600 | 219690 | 390713 | 512917 | 610403 | 1085401 | - | - | - | - |
| 2695 | 153021 | 220295 | 391790 | 514331 | 612086 | 1088393 | - | - | - | - |
| 2700 | 153443 | 220903 | 392871 | 515750 | 613775 | 1091395 | - | - | - | - |
| 2705 | 153867 | 221513 | 393956 | 517173 | 615469 | 1094408 | - | - | - | - |
| 2710 | 154292 | 222125 | 395044 | 518602 | 617169 | 1097431 | - | - | - | - |
| 2715 | 154718 | 222739 | 396136 | 520036 | 618875 | 1100465 | - | - | - | - |
| 2720 | 155146 | 223355 | 397232 | 521474 | 620587 | 1103509 | - | - | - | - |
| 2725 | 155576 | 223973 | 398332 | 522918 | 622305 | 1106565 | - | - | - | - |
| 2730 | 156007 | 224594 | 399435 | 524367 | 624030 | 1109631 | - | - | - | - |
| 2735 | 156440 | 225217 | 400543 | 525821 | 625760 | 1112708 | - | - | - | - |
| 2740 | 156874 | 225842 | 401655 | 527280 | 627497 | 1115796 | - | - | - | - |
| 2745 | 157310 | 226469 | 402770 | 528745 | 629240 | 1118895 | - | - | - | - |
| 2750 | 157747 | 227099 | 403890 | 530215 | 630989 | 1122006 | - | - | - | - |
| 2755 | 158186 | 227731 | 405014 | 531690 | 632745 | 1125128 | - | - | - | - |
| 2760 | 158626 | 228365 | 406142 | 533171 | 634507 | 1128262 | - | - | - | - |
| 2765 | 159069 | 229002 | 407274 | 534658 | 636276 | 1131407 | - | - | - | - |
| 2770 | 159513 | 229641 | 408411 | 536150 | 638052 | 1134564 | - | - | - | - |
| 2775 | 159958 | 230282 | 409552 | 537647 | 639834 | 1137734 | - | - | - | - |
| 2780 | 160405 | 230926 | 410697 | 539151 | 641623 | 1140915 | - | - | - | - |
| 2785 | 160854 | 231572 | 411846 | 540660 | 643419 | 1144108 | - | - | - | - |
| 2790 | 161305 | 232221 | 413000 | 542174 | 645222 | 1147314 | - | - | - | - |
| 2795 | 161758 | 232872 | 414159 | 543695 | 647032 | 1150532 | - | - | - | - |
| 2800 | 162212 | 233526 | 415322 | 545222 | 648849 | 1153763 | - | - | - | - |
| 2805 | 162668 | 234183 | 416489 | 546755 | 650673 | 1157006 | - | - | - | - |
| 2810 | 163126 | 234842 | 417661 | 548294 | 652504 | 1160263 | - | - | - | - |
| 2815 | 163585 | 235504 | 418838 | 549839 | 654343 | 1163532 | - | - | - | - |
| 2820 | 164047 | 236168 | 420020 | 551390 | 656189 | 1166815 | - | - | - | - |
| 2825 | 164510 | 236835 | 421206 | 552947 | 658042 | 1170110 | - | - | - | - |
| 2830 | 164975 | 237505 | 422398 | 554511 | 659903 | 1173420 | - | - | - | - |
| 2835 | 165443 | 238178 | 423594 | 556081 | 661772 | 1176742 | - | - | - | - |
| 2840 | 165912 | 238853 | 424795 | 557658 | 663648 | 1180079 | - | - | - | - |
| 2845 | 166383 | 239531 | 426001 | 559241 | 665532 | 1183429 | - | - | - | - |

Orifice Capacities (Contd.)

ASME, B & PVC, Section VIII rating - 2001 Edition

pounds per hour saturated steam at 10% overpressure, 90% of actual capacity

W=51.5KAP for "P" less than or equal to 1580 psia

K=.878 (4" Q — K = .792)

W=51.5KAP x [.1906P-1000/.2292P-1061] for "P" greater than 1580 psia

A= flow area in sq. in.

P= (1.10 x set pressure) + 14.7

Apply correction factor for capacities on superheated steam. Correction factor tables begin on page 1700.66. Review pressure temperature limits. Pressure temperature tables begin on page 1700.32. The 1700 is certified as a restricted lift valve and capacities can be restricted down to 30% of its full rated capacity.

Orifice Designation & Area – Square Inches

| Orifice Designation Orifice Area Sq. In. Set Pressure (psig) | 1 0.994 | 2 1.431 | 3 2.545 | 5 3.341 | 4 3.976 | 6 7.07 | Q 4"=12.25 6"=11.05 | 8 14.18 | R 16 | RR 19.29 |
|--|------------|------------|------------|------------|------------|-----------|---------------------------|------------|---------|-------------|
| 2850 | 166856 | 240212 | 427212 | 560831 | 667424 | 1186794 | - | - | - | - |
| 2855 | 167331 | 240896 | 428428 | 562428 | 669324 | 1190172 | - | - | - | - |
| 2860 | 167808 | 241583 | 429649 | 564031 | 671233 | 1193565 | - | - | - | - |
| 2865 | 168287 | 242272 | 430876 | 565641 | 673149 | 1196973 | - | - | - | - |
| 2870 | 168768 | 242965 | 432108 | 567259 | 675074 | 1200395 | - | - | - | - |
| 2875 | 169251 | 243661 | 433345 | 568883 | 677006 | 1203832 | - | - | - | - |
| 2880 | 169737 | 244359 | 434588 | 570514 | 678948 | 1207284 | - | - | - | - |
| 2885 | 170224 | 245061 | 435836 | 572153 | 680898 | 1210752 | - | - | - | - |
| 2890 | 170714 | 245766 | 437090 | 573798 | 682856 | 1214234 | - | - | - | - |
| 2895 | 171206 | 246474 | 438349 | 575452 | 684824 | 1217732 | - | - | - | - |

Orifice Capacities (Contd.)

Superheat Correction Factor

Notes:

- For capacity on superheated steam, multiply saturated steam capacity by correction factor.
- Convert set pressure from (psig) to (psia) flowing pressure.
* PSIA flowing = [set pressure psig x overpressure] + 14.7

| Flowing Pressure* (psia) | Superheat Correction Factor Ksh Total Temperature, °F, of Superheated Steam | | | | | | | | | | | | | | | | |
|-----------------------------|---|-------|-------|-------|-------|-------|-------|-------|-------|-------|-------|-------|-------|-------|-------|-------|-------|
| | 400 | 450 | 500 | 550 | 600 | 650 | 700 | 750 | 800 | 850 | 900 | 950 | 1000 | 1050 | 1100 | 1150 | 1200 |
| 50 | 0.987 | 0.957 | 0.930 | 0.905 | 0.882 | 0.861 | 0.841 | 0.823 | 0.805 | 0.789 | 0.774 | 0.759 | 0.745 | 0.732 | 0.719 | 0.708 | 0.696 |
| 100 | 0.998 | 0.963 | 0.935 | 0.909 | 0.885 | 0.864 | 0.843 | 0.825 | 0.807 | 0.790 | 0.775 | 0.760 | 0.746 | 0.733 | 0.720 | 0.708 | 0.697 |
| 150 | 0.984 | 0.970 | 0.940 | 0.913 | 0.888 | 0.866 | 0.846 | 0.826 | 0.808 | 0.792 | 0.776 | 0.761 | 0.747 | 0.733 | 0.721 | 0.709 | 0.697 |
| 200 | 0.979 | 0.977 | 0.945 | 0.917 | 0.892 | 0.869 | 0.848 | 0.828 | 0.810 | 0.793 | 0.777 | 0.762 | 0.748 | 0.734 | 0.721 | 0.709 | 0.698 |
| 250 | - | 0.972 | 0.951 | 0.921 | 0.895 | 0.871 | 0.850 | 0.830 | 0.812 | 0.794 | 0.778 | 0.763 | 0.749 | 0.735 | 0.722 | 0.710 | 0.698 |
| 300 | - | 0.968 | 0.957 | 0.926 | 0.898 | 0.874 | 0.852 | 0.832 | 0.813 | 0.796 | 0.780 | 0.764 | 0.750 | 0.736 | 0.723 | 0.710 | 0.699 |
| 350 | - | 0.968 | 0.963 | 0.930 | 0.902 | 0.877 | 0.854 | 0.834 | 0.815 | 0.797 | 0.781 | 0.765 | 0.750 | 0.736 | 0.723 | 0.711 | 0.699 |
| 400 | - | - | 0.963 | 0.935 | 0.906 | 0.880 | 0.857 | 0.836 | 0.816 | 0.798 | 0.782 | 0.766 | 0.751 | 0.737 | 0.724 | 0.712 | 0.700 |
| 450 | - | - | 0.961 | 0.940 | 0.909 | 0.883 | 0.859 | 0.838 | 0.818 | 0.800 | 0.783 | 0.767 | 0.752 | 0.738 | 0.725 | 0.712 | 0.700 |
| 500 | - | - | 0.961 | 0.946 | 0.914 | 0.886 | 0.862 | 0.840 | 0.820 | 0.801 | 0.784 | 0.768 | 0.753 | 0.739 | 0.725 | 0.713 | 0.701 |
| 550 | - | - | 0.962 | 0.952 | 0.918 | 0.889 | 0.864 | 0.842 | 0.822 | 0.803 | 0.785 | 0.769 | 0.754 | 0.740 | 0.726 | 0.713 | 0.701 |
| 600 | - | - | 0.964 | 0.958 | 0.922 | 0.892 | 0.867 | 0.844 | 0.823 | 0.804 | 0.787 | 0.770 | 0.755 | 0.740 | 0.727 | 0.714 | 0.702 |
| 650 | - | - | 0.968 | 0.958 | 0.927 | 0.896 | 0.869 | 0.846 | 0.825 | 0.806 | 0.788 | 0.771 | 0.756 | 0.741 | 0.728 | 0.715 | 0.702 |
| 700 | - | - | - | 0.958 | 0.931 | 0.899 | 0.872 | 0.848 | 0.827 | 0.807 | 0.789 | 0.772 | 0.757 | 0.742 | 0.728 | 0.715 | 0.703 |
| 750 | - | - | - | 0.958 | 0.936 | 0.903 | 0.875 | 0.850 | 0.828 | 0.809 | 0.790 | 0.774 | 0.758 | 0.743 | 0.729 | 0.716 | 0.703 |
| 800 | - | - | - | 0.960 | 0.942 | 0.906 | 0.878 | 0.852 | 0.830 | 0.810 | 0.792 | 0.774 | 0.759 | 0.744 | 0.730 | 0.716 | 0.704 |
| 850 | - | - | - | 0.962 | 0.947 | 0.910 | 0.880 | 0.855 | 0.832 | 0.812 | 0.793 | 0.776 | 0.760 | 0.744 | 0.730 | 0.717 | 0.704 |
| 900 | - | - | - | 0.965 | 0.953 | 0.914 | 0.883 | 0.857 | 0.834 | 0.813 | 0.794 | 0.777 | 0.760 | 0.745 | 0.731 | 0.718 | 0.705 |
| 950 | - | - | - | 0.969 | 0.958 | 0.918 | 0.886 | 0.860 | 0.836 | 0.815 | 0.796 | 0.778 | 0.761 | 0.746 | 0.732 | 0.718 | 0.705 |
| 1000 | - | - | - | 0.974 | 0.959 | 0.923 | 0.890 | 0.862 | 0.838 | 0.816 | 0.797 | 0.779 | 0.762 | 0.747 | 0.732 | 0.719 | 0.706 |
| 1050 | - | - | - | - | 0.960 | 0.927 | 0.893 | 0.864 | 0.840 | 0.818 | 0.798 | 0.780 | 0.763 | 0.748 | 0.733 | 0.719 | 0.707 |
| 1100 | - | - | - | - | 0.962 | 0.931 | 0.896 | 0.867 | 0.842 | 0.820 | 0.800 | 0.781 | 0.764 | 0.749 | 0.734 | 0.720 | 0.707 |
| 1150 | - | - | - | - | 0.964 | 0.936 | 0.899 | 0.870 | 0.844 | 0.821 | 0.801 | 0.782 | 0.765 | 0.749 | 0.735 | 0.721 | 0.708 |
| 1200 | - | - | - | - | 0.966 | 0.941 | 0.903 | 0.872 | 0.846 | 0.823 | 0.802 | 0.784 | 0.766 | 0.750 | 0.735 | 0.721 | 0.708 |
| 1250 | - | - | - | - | 0.969 | 0.946 | 0.906 | 0.875 | 0.848 | 0.825 | 0.804 | 0.785 | 0.767 | 0.751 | 0.736 | 0.722 | 0.709 |
| 1300 | - | - | - | - | 0.973 | 0.952 | 0.910 | 0.878 | 0.850 | 0.826 | 0.805 | 0.786 | 0.768 | 0.752 | 0.737 | 0.723 | 0.709 |
| 1350 | - | - | - | - | 0.977 | 0.958 | 0.914 | 0.880 | 0.852 | 0.828 | 0.807 | 0.787 | 0.769 | 0.753 | 0.737 | 0.723 | 0.710 |
| 1400 | - | - | - | - | 0.982 | 0.963 | 0.918 | 0.883 | 0.854 | 0.830 | 0.808 | 0.788 | 0.770 | 0.754 | 0.738 | 0.724 | 0.710 |
| 1450 | - | - | - | - | 0.987 | 0.968 | 0.922 | 0.886 | 0.857 | 0.832 | 0.809 | 0.790 | 0.771 | 0.754 | 0.739 | 0.724 | 0.711 |
| 1500 | - | - | - | - | 0.993 | 0.970 | 0.926 | 0.889 | 0.859 | 0.833 | 0.811 | 0.791 | 0.772 | 0.755 | 0.740 | 0.725 | 0.711 |
| 1550 | - | - | - | - | - | 0.972 | 0.930 | 0.892 | 0.861 | 0.835 | 0.812 | 0.792 | 0.773 | 0.756 | 0.740 | 0.726 | 0.712 |
| 1600 | - | - | - | - | - | 0.973 | 0.934 | 0.894 | 0.863 | 0.836 | 0.813 | 0.792 | 0.774 | 0.756 | 0.740 | 0.726 | 0.712 |
| 1650 | - | - | - | - | - | 0.973 | 0.936 | 0.895 | 0.863 | 0.836 | 0.812 | 0.791 | 0.772 | 0.755 | 0.739 | 0.724 | 0.710 |
| 1700 | - | - | - | - | - | 0.973 | 0.938 | 0.895 | 0.863 | 0.835 | 0.811 | 0.790 | 0.771 | 0.754 | 0.738 | 0.723 | 0.709 |
| 1750 | - | - | - | - | - | 0.974 | 0.940 | 0.896 | 0.862 | 0.835 | 0.810 | 0.789 | 0.770 | 0.752 | 0.736 | 0.721 | 0.707 |
| 1800 | - | - | - | - | - | 0.975 | 0.942 | 0.897 | 0.862 | 0.834 | 0.810 | 0.788 | 0.768 | 0.751 | 0.735 | 0.720 | 0.705 |
| 1850 | - | - | - | - | - | 0.976 | 0.944 | 0.897 | 0.862 | 0.833 | 0.809 | 0.787 | 0.767 | 0.749 | 0.733 | 0.718 | 0.704 |
| 1900 | - | - | - | - | - | 0.977 | 0.946 | 0.898 | 0.862 | 0.832 | 0.807 | 0.785 | 0.766 | 0.748 | 0.731 | 0.716 | 0.702 |
| 1950 | - | - | - | - | - | 0.979 | 0.949 | 0.898 | 0.861 | 0.832 | 0.806 | 0.784 | 0.764 | 0.746 | 0.729 | 0.714 | 0.700 |
| 2000 | - | - | - | - | - | 0.982 | 0.952 | 0.899 | 0.861 | 0.831 | 0.805 | 0.782 | 0.762 | 0.744 | 0.728 | 0.712 | 0.698 |
| 2050 | - | - | - | - | - | 0.985 | 0.954 | 0.899 | 0.860 | 0.830 | 0.804 | 0.781 | 0.761 | 0.742 | 0.726 | 0.710 | 0.696 |
| 2100 | - | - | - | - | - | 0.988 | 0.956 | 0.900 | 0.860 | 0.828 | 0.802 | 0.779 | 0.759 | 0.740 | 0.724 | 0.708 | 0.694 |
| 2150 | - | - | - | - | - | - | 0.956 | 0.900 | 0.859 | 0.827 | 0.801 | 0.778 | 0.757 | 0.738 | 0.722 | 0.706 | 0.692 |
| 2200 | - | - | - | - | - | - | 0.955 | 0.901 | 0.859 | 0.826 | 0.799 | 0.776 | 0.755 | 0.736 | 0.720 | 0.704 | 0.690 |
| 2250 | - | - | - | - | - | - | 0.954 | 0.901 | 0.858 | 0.825 | 0.797 | 0.774 | 0.753 | 0.734 | 0.717 | 0.702 | 0.687 |
| 2300 | - | - | - | - | - | - | 0.953 | 0.901 | 0.857 | 0.823 | 0.795 | 0.772 | 0.751 | 0.732 | 0.715 | 0.699 | 0.685 |
| 2350 | - | - | - | - | - | - | 0.952 | 0.902 | 0.856 | 0.822 | 0.794 | 0.769 | 0.748 | 0.729 | 0.712 | 0.697 | 0.682 |
| 2400 | - | - | - | - | - | - | 0.952 | 0.902 | 0.855 | 0.820 | 0.791 | 0.767 | 0.746 | 0.727 | 0.710 | 0.694 | 0.679 |
| 2450 | - | - | - | - | - | - | 0.951 | 0.902 | 0.854 | 0.818 | 0.789 | 0.765 | 0.743 | 0.724 | 0.707 | 0.691 | 0.677 |
| 2500 | - | - | - | - | - | - | 0.951 | 0.902 | 0.852 | 0.816 | 0.787 | 0.762 | 0.740 | 0.721 | 0.704 | 0.688 | 0.674 |
| 2550 | - | - | - | - | - | - | 0.951 | 0.902 | 0.851 | 0.814 | 0.784 | 0.759 | 0.738 | 0.718 | 0.701 | 0.685 | 0.671 |
| 2600 | - | - | - | - | - | - | 0.951 | 0.903 | 0.849 | 0.812 | 0.782 | 0.756 | 0.735 | 0.715 | 0.698 | 0.682 | 0.664 |
| 2650 | - | - | - | - | - | - | 0.952 | 0.903 | 0.848 | 0.809 | 0.779 | 0.754 | 0.731 | 0.712 | 0.695 | 0.679 | 0.664 |
| 2700 | - | - | - | - | - | - | 0.952 | 0.903 | 0.846 | 0.807 | 0.776 | 0.750 | 0.728 | 0.708 | 0.691 | 0.675 | 0.661 |
| 2750 | - | - | - | - | - | - | 0.953 | 0.903 | 0.844 | 0.804 | 0.773 | 0.747 | 0.724 | 0.705 | 0.687 | 0.671 | 0.657 |
| 2800 | - | - | - | - | - | - | 0.956 | 0.903 | 0.842 | 0.801 | 0.769 | 0.743 | 0.721 | 0.701 | 0.684 | 0.668 | 0.653 |
| 2850 | - | - | - | - | - | - | 0.959 | 0.902 | 0.839 | 0.798 | 0.766 | 0.739 | 0.717 | 0.697 | 0.679 | 0.663 | 0.649 |
| 2900 | - | - | - | - | - | - | 0.963 | 0.902 | 0.836 | 0.794 | 0.762 | 0.735 | 0.713 | 0.693 | 0.675 | 0.659 | 0.645 |
| 2950 | - | - | - | - | - | - | - | 0.902 | 0.834 | 0.790 | 0.758 | 0.731 | 0.708 | 0.688 | 0.671 | 0.655 | 0.640 |
| 3000 | - | - | - | - | - | - | - | 0.901 | 0.831 | 0.786 | 0.753 | 0.726 | 0.704 | 0.684 | 0.666 | 0.650 | 0.635 |
| 3050 | - | - | - | - | - | - | - | 0.899 | 0.827 | 0.782 | 0.749 | 0.722 | 0.699 | 0.679 | 0.661 | 0.645 | 0.630 |
| 3100 | - | - | - | - | - | - | - | 0.896 | 0.823 | 0.777 | 0.744 | 0.716 | 0.693 | 0.673 | 0.656 | 0.640 | 0.625 |
| 3150 | - | - | - | - | - | - | - | 0.894 | 0.819 | 0.772 | 0.738 | 0.711 | 0.688 | 0.668 | 0.650 | 0.634 | 0.620 |
| 3200 | - | - | - | - | - | - | - | 0.889 | 0.815 | 0.767 | 0.733 | 0.705 | 0.682 | 0.662 | 0.644 | 0.628 | 0.614 |

Hydrostatic Test Plugs

For butt-weld inlet valves shipped, hydrostatic test plugs are normally installed to increase "set point" approximately 1.5 times the valve set pressure for hydrostatic testing. It is strongly recommended that hydrostatic test plugs be used, in conjunction with proper gag and gagging procedure, during hydrostatic testing to avoid valve component damage.

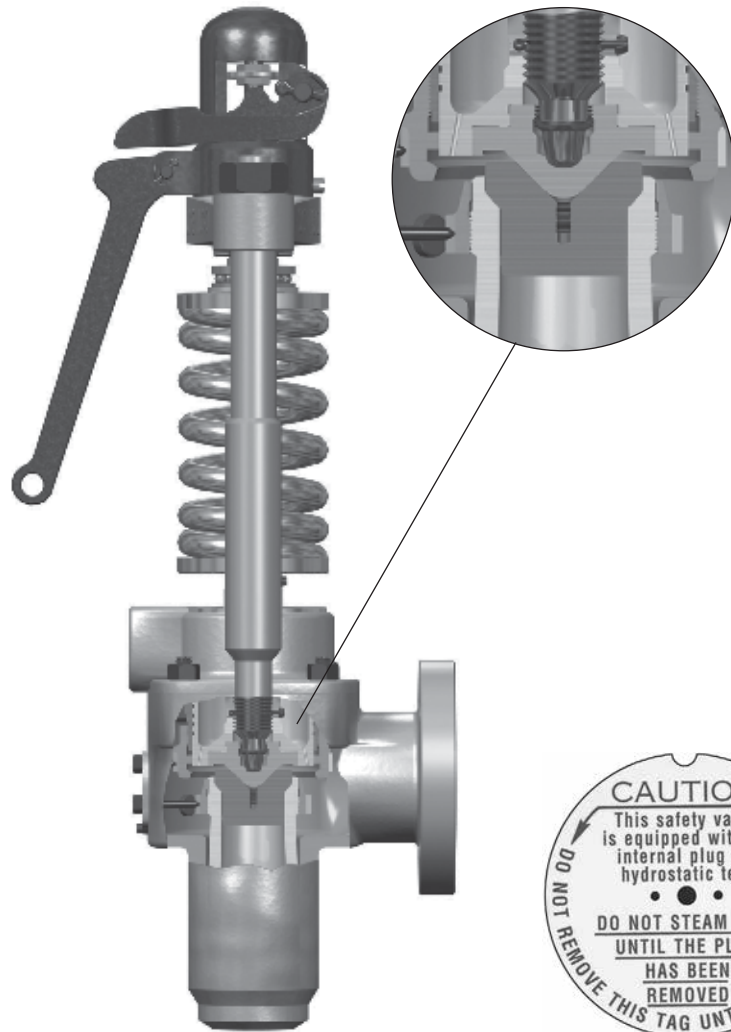
For flanged inlet valves shipped, hydrostatic test plugs are not normally installed. It is suggested that the valve not be installed until after the unit hydrostatic test has been performed utilizing "blind" flanges to blank-off the unit nozzles.

Note 1: Hydrostatic plugs may be added or deleted upon specific request.

Note 2: Consult maintenance manual for hydrostatic test and gag procedures.

1700

| Inlet Type | Hydrostatic Test Plugs (Note 1) Installed Before Shipping |
|-----------------|---|
| Flanged Inlet | No |
| Butt-weld Inlet | Yes |



1700

Valves shipped with hydroplug are identified by a Red on White Caution Tag which is attached to the valve by wires extending through the drain hole in the valve body.

DIRECT SALES OFFICE LOCATIONS

AUSTRALIA

Brisbane:
Phone: +61-7-3001-4319
Fax: +61-7-3001-4399

Perth:
Phone: +61-8-6595-7018
Fax: +61 8 6595-7299

Melbourne:
Phone: +61-3-8807-6002
Fax: +61-3-8807-6577

BELGIUM

Phone: +32-2-344-0970
Fax: +32-2-344-1123

BRAZIL

Phone: +55-11-2146-3600
Fax: +55-11-2146-3610

CHINA

Phone: +86-10-5689-3600
Fax: +86-10-5689-3800

FRANCE

Courbevoie
Phone: +33-1-4904-9000
Fax: +33-1-4904-9010

GERMANY

Ratingen
Phone: +49-2102-108-0
Fax: +49-2102-108-111

INDIA

Mumbai
Phone: +91-22-8354790
Fax: +91-22-8354791

New Delhi

Phone: +91-11-2-6164175
Fax: +91-11-5-1659635

ITALY

Phone: +39-081-7892-111
Fax: +39-081-7892-208

JAPAN

Chiba
Phone: +81-43-297-9222
Fax: +81-43-299-1115

KOREA

Phone: +82-2-2274-0748
Fax: +82-2-2274-0794

MALAYSIA

Phone: +60-3-2161-0322
Fax: +60-3-2163-6312

MEXICO

Phone: +52-55-3640-5060

THE NETHERLANDS

Phone: +31-15-3808666
Fax: +31-18-1641438

RUSSIA

Veliky Novgorod
Phone: +7-8162-55-7898
Fax: +7-8162-55-7921

Moscow

Phone: +7 495-585-1276
Fax: +7 495-585-1279

SAUDI ARABIA

Phone: +966-3-341-0278
Fax: +966-3-341-7624

SINGAPORE

Phone: +65-6861-6100
Fax: +65-6861-7172

SOUTH AFRICA

Phone: +27-11-452-1550
Fax: +27-11-452-6542

SOUTH & CENTRAL

AMERICA AND THE CARIBBEAN
Phone: +55-12-2134-1201
Fax: +55-12-2134-1238

SPAIN

Phone: +34-93-652-6430
Fax: +34-93-652-6444

UNITED ARAB EMIRATES

Phone: +971-4-8991-777
Fax: +971-4-8991-778

UNITED KINGDOM

Bracknell
Phone: +44-1344-460-500
Fax: +44-1344-460-537

Skelmersdale

Phone: +44-1695-526-00
Fax: +44-1695-526-01

UNITED STATES

Massachusetts
Phone: +1-508-586-4600
Fax: +1-508-427-8971

Corpus Christi, Texas

Phone: +1-361-881-8182
Fax: +1-361-881-8246

Deer Park, Texas

Phone: +1-281-884-1000
Fax: +1-281-884-1010

Houston, Texas

Phone: +1-281-671-1640
Fax: +1-281-671-1735



*Denotes trademark of the General Electric Company.
© 2014 General Electric Company. All rights reserved.